



City of Chicago



O2013-8280

Office of the City Clerk Document Tracking Sheet

Meeting Date:	10/16/2013
Sponsor(s):	O'Shea (19)
Type:	Ordinance
Title:	Grant(s) of privilege in public way for Comfort Family Dental
Committee(s) Assignment:	Committee on Transportation and Public Way

ORDINANCE
COMFORT FAMILY DENTAL
Acct. No. 383776 - 1
Permit No. 1108124

Be It Ordained by the City Council of the City of Chicago:

SECTION 1. Permission and authority are hereby given and granted to COMFORT FAMILY DENTAL, upon the terms and subject to the conditions of this ordinance to maintain and use one (1) sign(s) projecting over the public right-of-way attached to its premises known as 2056 W. 95th St..

Said sign structure(s) measures as follows; along West 95th Street:

One (1) at nine point three three (9.33) feet in length, one point five (1.5) feet in height and twelve (12) feet above grade level.

The location of said privilege shall be as shown on prints kept on file with the Department of Business Affairs and Consumer Protection and the Office of the City Clerk.

Said privilege shall be constructed in accordance with plans and specifications approved by the Department of Transportation (Division of Project Development) and Zoning Department - Signs.

This grant of privilege in the public way shall be subject to the provisions of Section 10-28-015 and all other required provisions of the Municipal Code of Chicago.

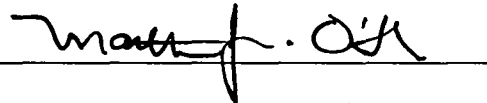
The grantee shall pay to the City of Chicago as compensation for the privilege #1108124 herein granted the sum of one hundred (\$100.00) per annum in advance.

A 25% penalty will be added for payments received after due date.

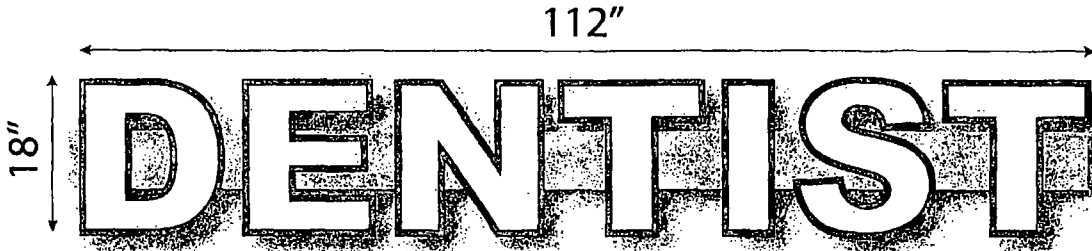
The permit holder agrees to hold the City of Chicago harmless for any damage, relocation or replacement costs associated with damage, relocation or removal of private property caused by the City performing work in the public way.

Authority herein given and granted for a period of five (5) years from and after Date of Passage.

Alderman



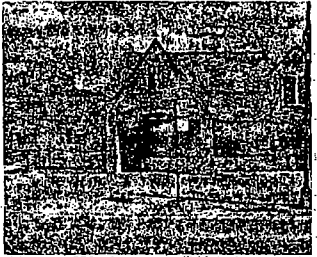
Matthew J. O'Shea 19th Ward



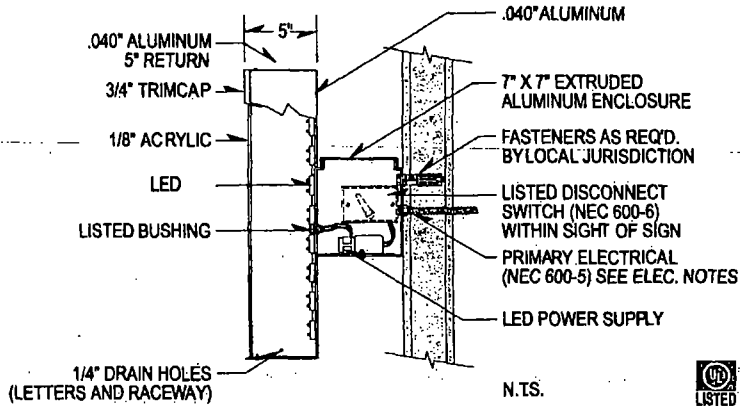
PROPOSED



BEFORE



CHANNEL LETTERS W/ RACEWAY:



CHANNEL LET

Comfort Farr Dental

Scale: _____
 Job #: _____
 Designer: fmp Date: 06/13
 11: 00/00/00
 12: 11/10/00
 13: 00/00/00
 14: 00/00/00

Comfort Farr Dental a

Design Status:
 Approved Approved as is
 Revise & resubmit

DATE: _____
 SIGN: _____

Permit Status:
 MUNICIPALITY: _____
 Applied DATE: _____
 Revise & resubmit DATE: _____
 Approved DATE: _____

SIGNS SIGNS

FULL SERVICE SIGN CO. INC.
 www.signs.com
 207 Gall Ct. S.
 Prospect Heights, IL 60070
 Phone: (847) 222-0505
 Fax: (847) 222-0505
 info@signs.com

PROJECT COLOR

Purple
 White

PROJECT NOT

QUANTITY (1) set of LED channel letters
 ILLUMINATION: White LED
 FACES: White face
 CANALS: .033 aluminum painted purple
 TRIMCAP: Jewel-ite purple
 MOUNTING: raceway mount to back of
 RACEWAY: gold paint to match back
 DIMENSIONS: 18"x112"
 TOTAL SQUARE FEET: 14 SF
 PRIMARY ELECTRICAL REQUIREMENTS
 existing power supply
 ALL LISTED: yes





10/16/2013

Alderman **Matthew J. O'Shea**
Ward # 19
City of Chicago
City Hall, Room 300
121 North LaSalle Street
Chicago, Illinois 60602

Re: An ordinance to use and maintain a portion of the public right-of-way for **one (1) sign(s)** for
COMFORT FAMILY DENTAL, adjacent to the premises known as **2056 W. 95th St.**.

Dear Alderman **Matthew J. O'Shea**:

The applicant referenced above has requested the use of the public right-of-way for a **sign(s)**. An ordinance has been prepared by the Department of Business Affairs and Consumer Protection – Business Assistance Center - Public Way Use Unit for presentation to the City Council. Because this request was made for properties located in your ward, as approved by you as per the attached, I respectfully request that you introduce the attached ordinance at the next City Council meeting.

If you have any questions regarding this ordinance, please contact Anthony Bertuca at (312) 744-5506.

Department of Business Affairs and Consumer Protection