



# City of Chicago



O2016-6692

Office of the City Clerk

## Document Tracking Sheet

<b>Meeting Date:</b>	9/14/2016
<b>Sponsor(s):</b>	Dowell (3)
<b>Type:</b>	Ordinance
<b>Title:</b>	Grant(s) of privilege in public way for Longwood Investments LLC
<b>Committee(s) Assignment:</b>	Committee on Transportation and Public Way

ORDINANCE  
LONGWOOD INVESTMENTS, LLC  
Acct. No. 408048 - 1  
Permit No. 1123895

*Be It Ordained by the City Council of the City of Chicago:*

SECTION 1. Permission and authority are hereby given and granted to LONGWOOD INVESTMENTS, LLC, upon the terms and subject to the conditions of this ordinance to construct, install, maintain and use one (1) Bollard(s) on the public right-of-way adjacent to its premises known as 1255 S. State St..

Said Bollard(s) at S. State Street measure(s):

One (1) at three (3) feet in length, and one (1) foot in width for a total of three (3) square feet.

The location of said privilege shall be as shown on prints kept on file with the Department of Business Affairs and Consumer Protection and the Office of the City Clerk.

Said privilege shall be constructed in accordance with plans and specifications approved by the Department of Planning and Development and Department of Transportation (Division of Project Development).

This grant of privilege in the public way shall be subject to the provisions of Section 10-28-015 and all other required provisions of the Municipal Code of Chicago.

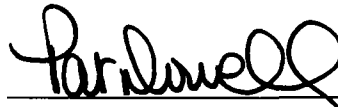
The grantee shall pay to the City of Chicago as compensation for the privilege #1123895 herein granted the sum of seventy-five (\$75.00) per annum in advance.

A 25% penalty will be added for payments received after due date.

The permit holder agrees to hold the City of Chicago harmless for any damage, relocation or replacement costs associated with damage, relocation or removal of private property caused by the City performing work in the public way.

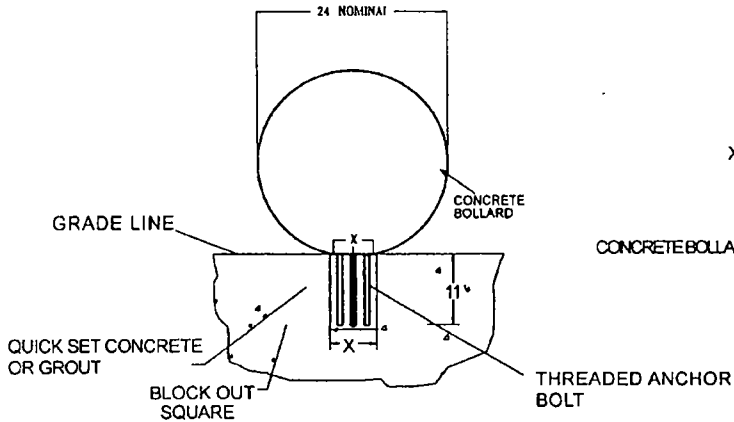
Authority herein given and granted for a period of five (5) years from and after Date of Passage.

Alderman



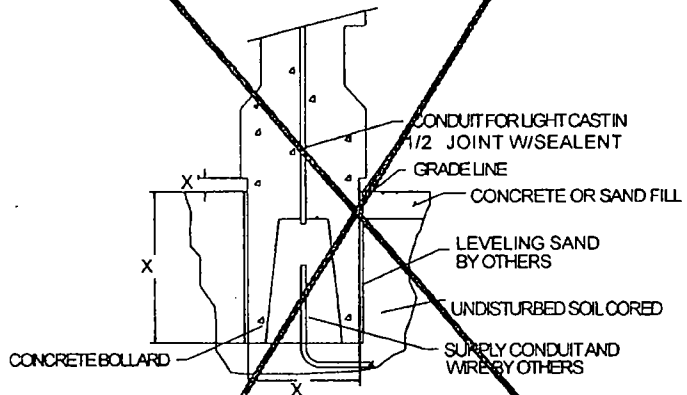
Pat Dowell 3rd Ward

**SPHERE BOLLARD ANCHOR**  
 12 18 24 30 **36**

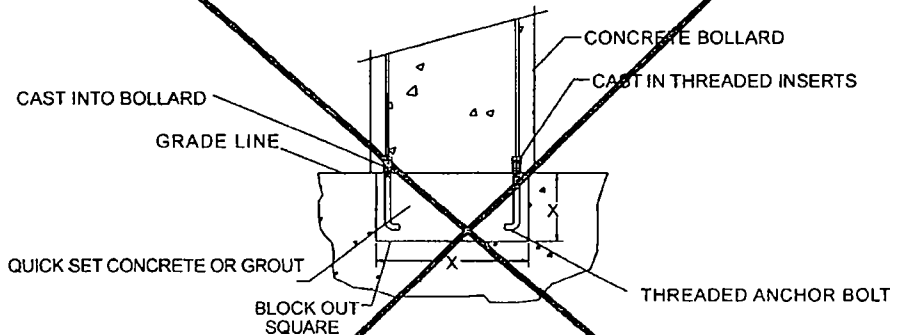


X = BLOCKOUT DIMENSION SHOULD BE 1/2 LESS THAN THE OUTSIDE OF THE SURFACE AREA TOUCHING THE GROUND

**ANCHOR STYLE C**



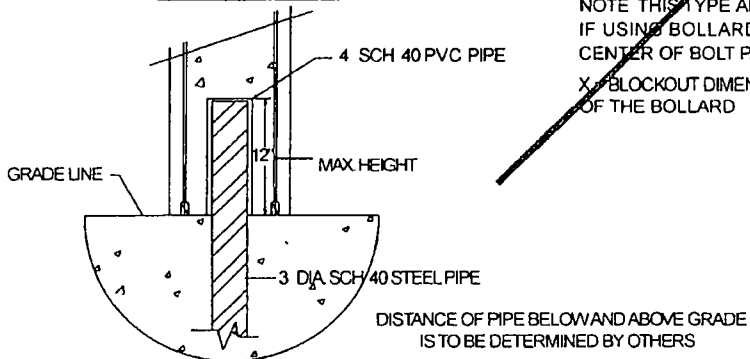
**ANCHOR STYLE A**



NOTE THIS TYPE ANCHORING IS NOT USED AS BARRICADE IF USING BOLLARD WITH LIGHT RUN CONDUIT THROUGH CENTER OF BOLT PATTERN AND STUB OUT

X = BLOCKOUT DIMENSION SHOULD BE 1/2 LESS THAN THE OUTSIDE OF THE BOLLARD

**ANCHOR STYLE B**



NOTE THIS TYPE ANCHORING IS ALSO USED AS A BARRICADE BOLLARD HELD IN PLACE BY STEEL PIPE STEEL PIPE MUST BE ANCHORED IN CONCRETE FOOTING

TYP 12 DIA CONCRETE BOLLARD SAME ANCHORING SYSTEM USED ON 14 AND 18 DIA OR SQ BOLLARDS

**WAUSAUTILE**  
 America's One Source™



PO Box 1520  
 Wausau, WI 54402-1520  
 800-388-8728  
 Fax 715-355-4627  
 www.wausautile.com



09/14/2016

Alderman **Pat Dowell**  
Ward # 03  
City of Chicago  
City Hall, Room 200  
121 North LaSalle Street  
Chicago, Illinois 60602

Re: An ordinance to use and maintain a portion of the public right-of-way for **one (1) bollard(s)** for  
**LONGWOOD INVESTMENTS, LLC**, adjacent to the premises known as **1255 S. State St.**

Dear Alderman **Pat Dowell**:

The applicant referenced above has requested the use of the public right-of-way for a **bollard(s)**. An ordinance has been prepared by the Department of Business Affairs and Consumer Protection – Small Business Center - Public Way Use Unit for presentation to the City Council. Because this request was made for properties located in your ward, as approved by you as per the attached, I respectfully request that you introduce the attached ordinance at the next City Council meeting.

If you have any questions regarding this ordinance, please contact Anthony Bertuca at (312) 744-5506.

**Department of Business Affairs and Consumer Protection**