



City of Chicago



O2019-799

Office of the City Clerk

Document Tracking Sheet

Meeting Date:	1/23/2019
Sponsor(s):	Tabares (23)
Type:	Ordinance
Title:	Grant(s) of privilege in public way for Soukal Floral Co., Inc.
Committee(s) Assignment:	Committee on Transportation and Public Way

ORDINANCE
SOUKAL FLORAL CO INC
Acct. No. 31963 - 1
Permit No. 1137444

Be It Ordained by the City Council of the City of Chicago:

SECTION 1. Permission and authority are hereby given and granted to SOUKAL FLORAL CO INC, upon the terms and subject to the conditions of this ordinance to maintain and use one (1) sign(s) projecting over the public right-of-way attached to its premises known as 6118 S. Archer Ave..

Said sign structure(s) measures as follows; along S. Archer Avenue:

One (1) at nine (9) feet in length, thirteen (13) feet in height and eleven (11) feet above grade level.

The location of said privilege shall be as shown on prints kept on file with the Department of Business Affairs and Consumer Protection and the Office of the City Clerk.

Said privilege shall be constructed in accordance with plans and specifications approved by the Department of Transportation (Division of Project Development) and Zoning Department - Signs.

This grant of privilege in the public way shall be subject to the provisions of Section 10-28-015 and all other required provisions of the Municipal Code of Chicago.

The grantee shall pay to the City of Chicago as compensation for the privilege #1137444 herein granted the sum of ~~three~~ hundred (\$300.00) per annum in advance.

A 25% penalty will be added for payments received after due date.

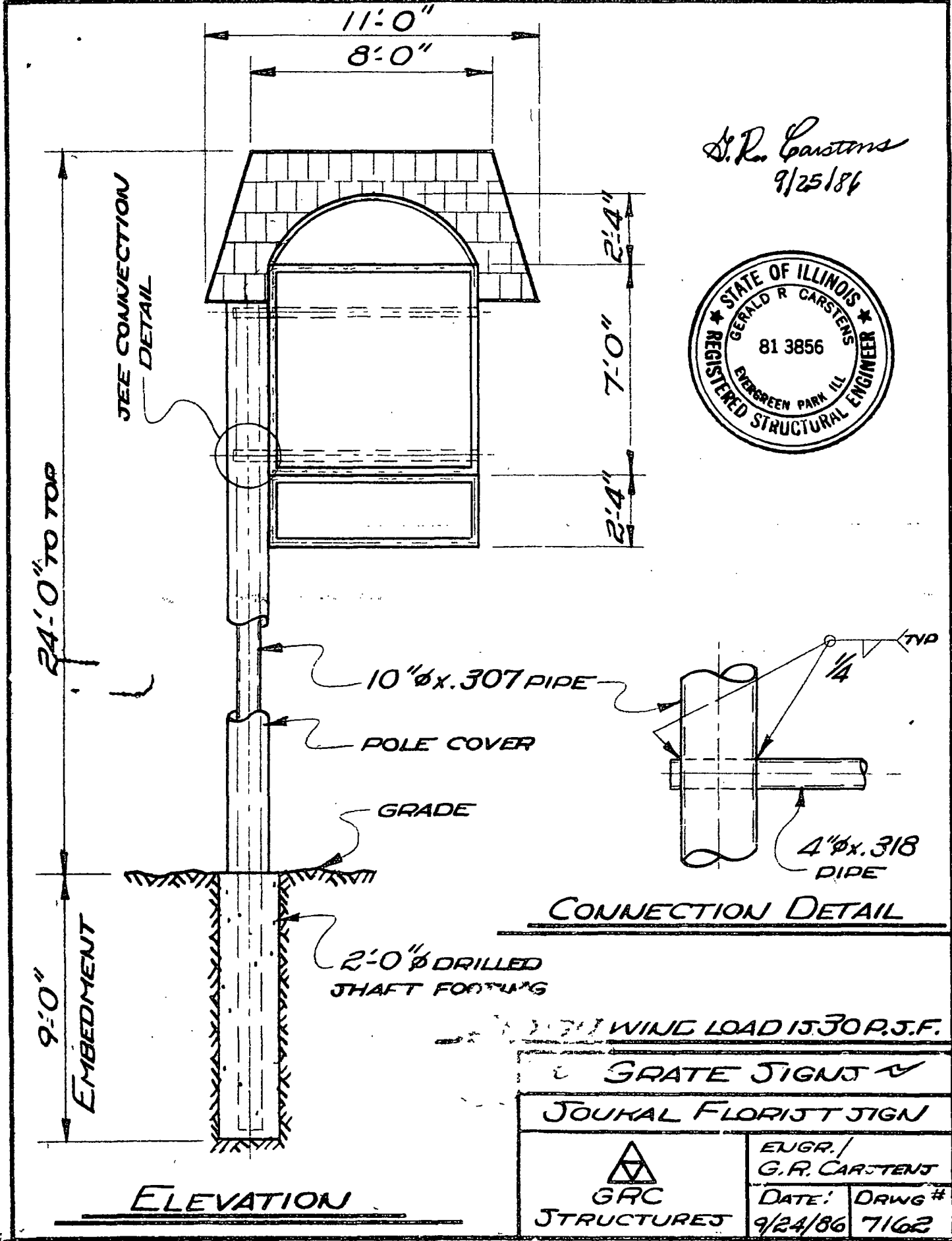
The permit holder agrees to hold the City of Chicago harmless for any damage, relocation or replacement costs associated with damage, relocation or removal of private property caused by the City performing work in the public way.

Authority herein given and granted for a period of five (5) years from and after 01/13/2019.

Alderman 

Silvana Tabares 23rd Ward

G.R. Carstens
9/25/86



JEE CONNECTION
DETAIL

24'-0" TO TOP

9'-0"
EMBEDMENT

11'-0"
8'-0"

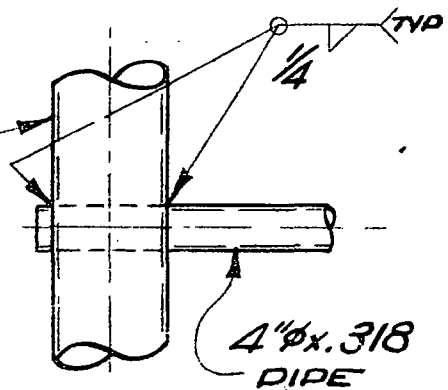
2'-4"
7'-0"
2'-4"

10" ϕ x .307 PIPE

POLE COVER

GRADE

2'-0" ϕ DRILLED
SHAFT FOOTING



4" ϕ x .318
PIPE

CONNECTION DETAIL

WIND LOAD IS FOR J.F.

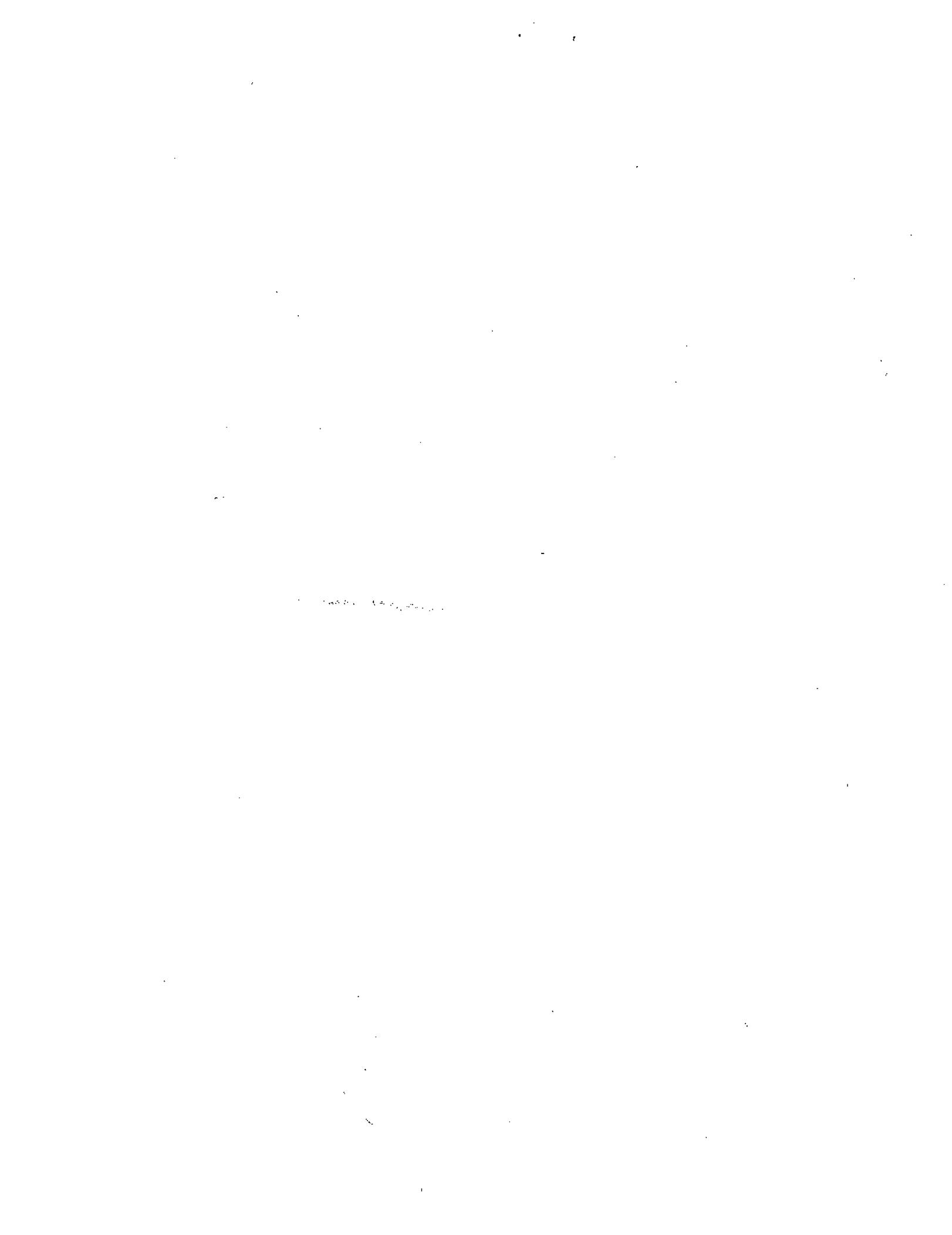
GRATE SIGN

JOURNAL FLORIST SIGN

GRC
STRUCTURES

ENGR./
G.R. CARSTENS
DATE: 9/24/86
DRWG # 7162

ELEVATION





01/23/2019

Alderman **Silvana Tabares**
Ward # **23**
City of Chicago
City Hall, Room **200**
121 North LaSalle Street
Chicago, Illinois 60602

Re: An ordinance to use and maintain a portion of the public right-of-way for **one (1) sign(s)** for **SOUKAL FLORAL CO INC**, adjacent to the premises known as **6118 S. Archer Ave.**

Dear Alderman **Silvana Tabares**:

The applicant referenced above has requested the use of the public right-of-way for a **sign(s)**. An ordinance has been prepared by the Department of Business Affairs and Consumer Protection – Small Business Center - Public Way Use Unit for presentation to the City Council. Because this request was made for properties located in your ward, as approved by you as per the attached, I respectfully request that you introduce the attached ordinance at the next City Council meeting.

If you have any questions regarding this ordinance, please contact Anthony Bertuca at (312) 744-5506.

Department of Business Affairs and Consumer Protection