



City of Chicago



O2020-4447

Office of the City Clerk

Document Tracking Sheet

Meeting Date:	9/9/2020
Sponsor(s):	Reilly (42)
Type:	Ordinance
Title:	Grant(s) of privilege in public way for Sheffield Properties of Illinois, Inc.
Committee(s) Assignment:	Committee on Transportation and Public Way

ORDINANCE
SHEFFIELD PROPERTIES OF ILLINOIS INC
Acct. No. 380838 - 3
Permit No. 1145862

Be It Ordained by the City Council of the City of Chicago:

SECTION 1. Permission and authority are hereby given and granted to SHEFFIELD PROPERTIES OF ILLINOIS INC, upon the terms and subject to the conditions of this ordinance to maintain and use two (2) sign(s) projecting over the public right-of-way attached to its premises known as 940 N. Michigan Ave..

Said sign structure(s) measures as follows; along N. Michigan Avenue:

One (1) at eleven point zero eight (11.08) feet in length, one point seven five (1.75) feet in height and fifteen (15) feet above grade level.

Said sign structure(s) measures as follows; along E. Walton Street:

One (1) at eleven point zero eight (11.08) feet in length, one point seven five (1.75) feet in height and fifteen (15) feet above grade level.

The location of said privilege shall be as shown on prints kept on file with the Department of Business Affairs and Consumer Protection and the Office of the City Clerk.

Said privilege shall be constructed in accordance with plans and specifications approved by the Department of Transportation (Division of Project Development) and Zoning Department - Signs.

This grant of privilege in the public way shall be subject to the provisions of Section 10-28-015 and all other required provisions of the Municipal Code of Chicago.

The grantee shall pay to the City of Chicago as compensation for the privilege #1145862 herein granted the sum of one hundred seventy-five (\$175.00) per annum in advance.

A 25% penalty will be added for payments received after due date.

The permit holder agrees to hold the City of Chicago harmless for any damage, relocation or replacement costs associated with damage, relocation or removal of private property caused by the City performing work in the public way.

Authority herein given and granted for a period of five (5) years from and after Date of Passage.

Alderman  _____

Brendan Reilly 42nd Ward

Sign Details

FABRICATED STAINLESS STEEL

250 Deep Fabricated Brushed Stainless Steel

Letters to have vert grain direction

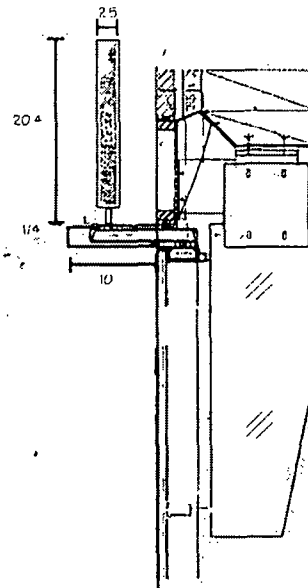
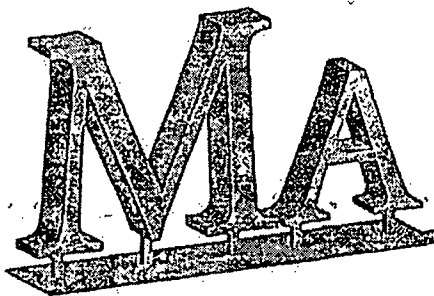
Letters to have closed back

Letters to have weep holes located on bottom side

near rear edge

Letters to have bottom mount posts (painted satin black)

Letters to mount on a 1/4" thick brushed stainless plate that is 4" wide



E Oak St



E Walton

CUSTOM SIGN CONSULTANTS

Designed & Drawn For Franklin Partners		
Account Rep Al Frapolli	Designer A.A.F.	Scale N/A
File Name The real real proof		

Date
11/16/2019

Signature of client is a

Signature

File Path:
Z:\Files\Users\al\980 North Michigan\Exterior Store Fronts\

© 2014 Custom Sign Consultants, Inc. All rights reserved. Custom Sign Consultants, Inc. reserves all rights of reproduction and all copyrights in designs, materials and data on these pages created by Custom Sign Consultants, Inc. and will remain the sole and exclusive property of Custom Sign Consultants, Inc. All drawings, materials, data or information developed or provided by Custom Sign Consultants, Inc. are and will remain the sole and exclusive property of Custom Sign Consultants, Inc. engineering, decompiling and creating derivative works are expressly forbidden. No part of the content may be otherwise or subsequently reproduced, downloaded, disseminated, published or transferred in any form or by any means without the express written permission of Custom Sign Consultants, Inc. Copyright infringement is a violation of federal law subject to criminal and civil penalties.



09/09/2020

Alderman **Brendan Reilly**
Ward # 42
City of Chicago
City Hall, Room 300
121 North LaSalle Street
Chicago, Illinois 60602

Re: An ordinance to use and maintain a portion of the public right-of-way for **two (2) sign(s)** for **SHEFFIELD PROPERTIES OF ILLINOIS INC**, adjacent to the premises known as **940 N. Michigan Ave.**.

Dear Alderman **Brendan Reilly**:

The applicant referenced above has requested the use of the public right-of-way for a **sign(s)**. An ordinance has been prepared by the Department of Business Affairs and Consumer Protection – Small Business Center - Public Way Use Unit for presentation to the City Council. Because this request was made for properties located in your ward, as approved by you as per the attached, I respectfully request that you introduce the attached ordinance at the next City Council meeting.

If you have any questions regarding this ordinance, please contact Anthony Bertuca at (312) 744-5506.

Department of Business Affairs and Consumer Protection