



City of Chicago



O2019-8302

Office of the City Clerk

Document Tracking Sheet

Meeting Date: 10/16/2019

Sponsor(s): Reilly (42)

Type: Ordinance

Title: Grant(s) of privilege in public way for Board of Trade of the City of Chicago, Inc., The

Committee(s) Assignment: Committee on Transportation and Public Way

ORDINANCE
THE BOARD OF TRADE OF THE CITY OF CHICAGO, INC
Acct. No. 218626 - 2
Permit No. 1142353

Be It Ordained by the City Council of the City of Chicago:

SECTION 1. Permission and authority are hereby given and granted to THE BOARD OF TRADE OF THE CITY OF CHICAGO, INC, upon the terms and subject to the conditions of this ordinance to maintain and use, as now constructed, forty-two (42) Planter(s) on the public right-of-way for beautification purposes adjacent to its premises known as 141 W. Jackson Blvd..

Said Planter(s) at S. Clark Street measure(s):
Eighteen (18) at five (5) feet in length, and one (1) foot in width for a total of ninety (90) square feet.

Said Planter(s) at W. Van Buren Street measure(s):
Twenty-four (24) at two point five (2.5) feet in length, and one (1) foot in width for a total of sixty (60) square feet.

Grantee must allow the required clear and unobstructed space for pedestrian passage at all times per rules and regulations approved by the Department of Transportation.

The location of said privilege shall be as shown on prints kept on file with the Department of Business Affairs and Consumer Protection and the Office of the City Clerk.

Said privilege shall be constructed in accordance with plans and specifications approved by the Department of Planning and Development and Department of Transportation (Division of Project Development).

This grant of privilege in the public way shall be subject to the provisions of Section 10-28-015 and all other required provisions of the Municipal Code of Chicago.

The grantee shall pay to the City of Chicago as compensation for the privilege #1142353 herein granted the sum of zero (\$.00) per annum in advance.

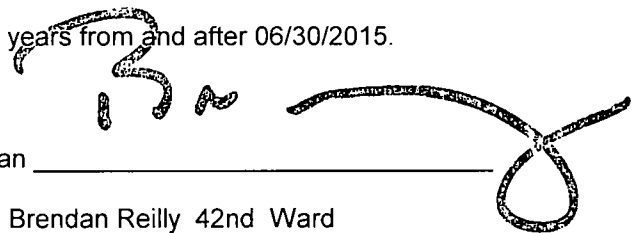
A 25% penalty will be added for payments received after due date.

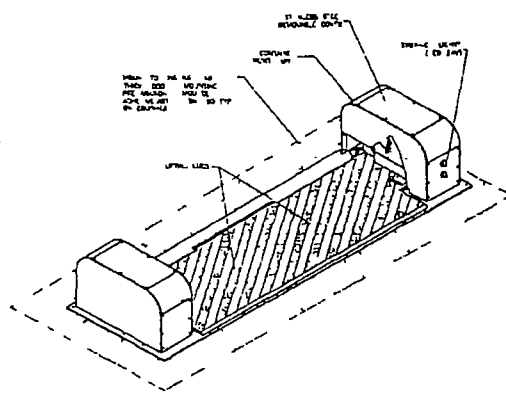
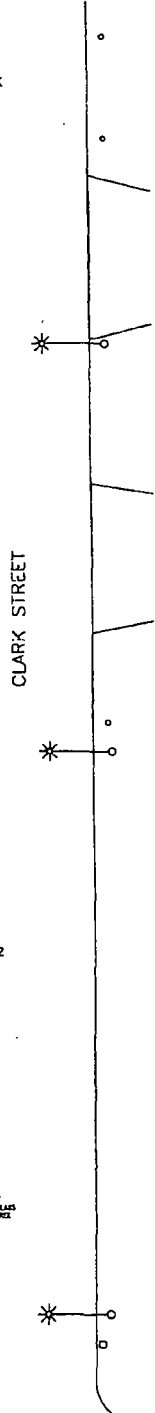
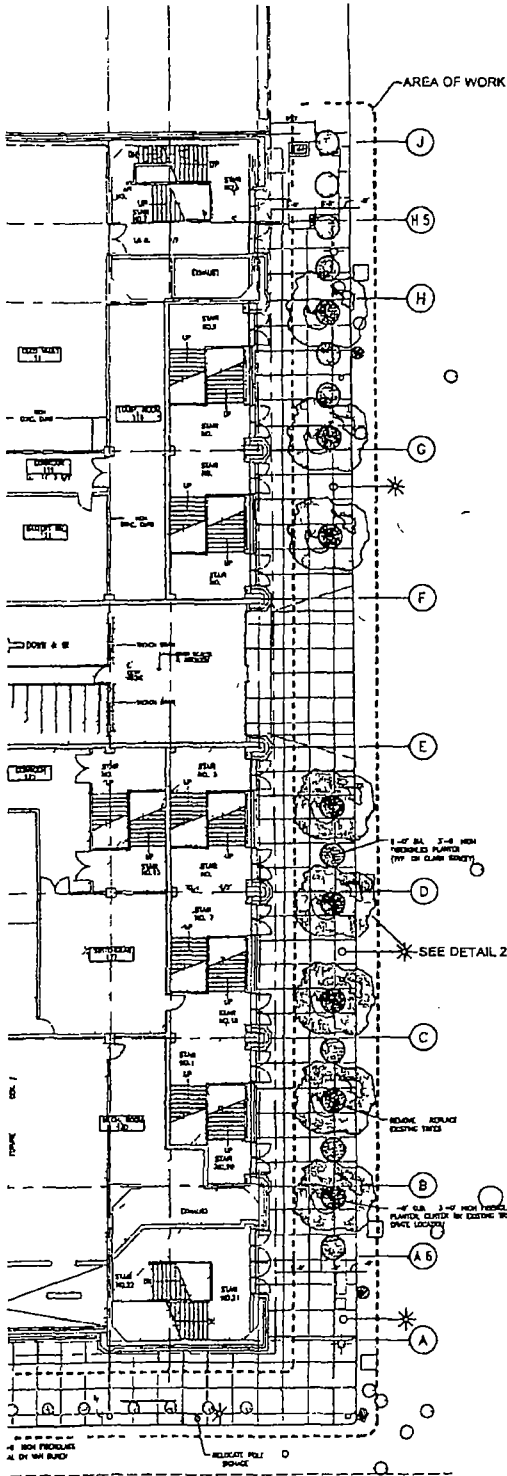
The permit holder agrees to hold the City of Chicago harmless for any damage, relocation or replacement costs associated with damage, relocation or removal of private property caused by the City performing work in the public way.

Authority herein given and granted for a period of five (5) years from and after 06/30/2015.

Alderman _____

Brendan Reilly 42nd Ward





③ DELTA BARRIER
SCALE: N.T.S.



② PLANTER TYP
SCALE: 1/2\"/>

NEW 5'-0\"/>
NEW 2'-6\"/>

GENERAL NOTES

- 1 VANBUREN STREETS IS DESIGNATED AS A MOBILITY STREET WITH 14'-0\"/>

SCALE NOTED

DATE 02.2.10

SHEET NO SK-01