



City of Chicago



O2017-77

Office of the City Clerk

Document Tracking Sheet

Meeting Date:	1/18/2017
Sponsor(s):	Osterman (48)
Type:	Ordinance
Title:	Grant(s) of privilege in public way for New American Mini Food Mart - sign
Committee(s) Assignment:	Committee on Transportation and Public Way

ORDINANCE
NEW AMERICAN MINI FOOD MART
Acct. No. 242895 - 1
Permit No. 1125463

Be It Ordained by the City Council of the City of Chicago:

SECTION 1. Permission and authority are hereby given and granted to NEW AMERICAN MINI FOOD MART, upon the terms and subject to the conditions of this ordinance to maintain and use one (1) sign(s) projecting over the public right-of-way attached to its premises known as 1047 W. Granville Ave..

Said sign structure(s) measures as follows; along W. Granville Ave.:
One (1) at four (4) feet in length, three (3) feet in height and thirteen (13) feet above grade level.

The location of said privilege shall be as shown on prints kept on file with the Department of Business Affairs and Consumer Protection and the Office of the City Clerk.

Said privilege shall be constructed in accordance with plans and specifications approved by the Department of Transportation (Division of Project Development) and Zoning Department - Signs.

This grant of privilege in the public way shall be subject to the provisions of Section 10-28-015 and all other required provisions of the Municipal Code of Chicago.

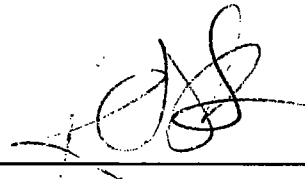
The grantee shall pay to the City of Chicago as compensation for the privilege #1125463 herein granted the sum of one hundred (\$100.00) per annum in advance.

A 25% penalty will be added for payments received after due date.

The permit holder agrees to hold the City of Chicago harmless for any damage, relocation or replacement costs associated with damage, relocation or removal of private property caused by the City performing work in the public way.

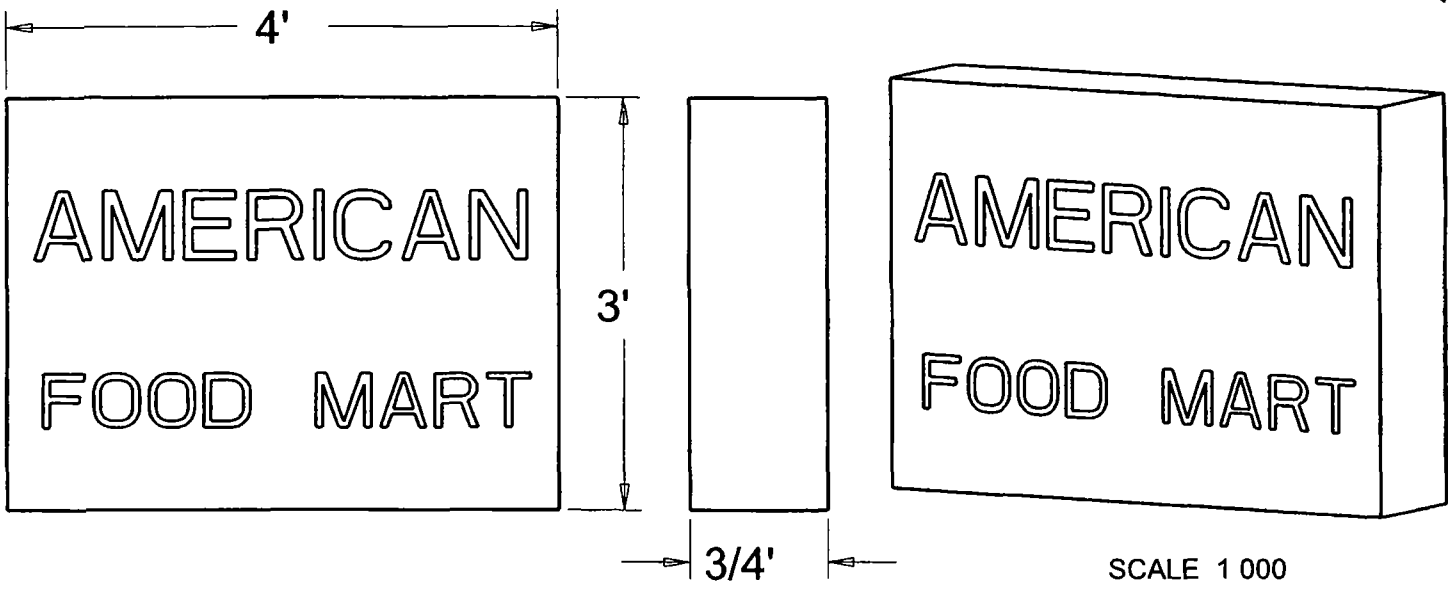
Authority herein given and granted for a period of five (5) years from and after 12/13/2016.

Alderman



Harry Osterman 48th Ward

PART NO



NOTES
 (1) ALL DIMENSIONS ARE IN FOOT

SHEET 1 of 1

A	RELEASED	AFM	AP	AP	Nov-19-11
REV	DESCRIPTION REVISIONS	PROJECT	BY	CHK	DATE
	AMERICAN FOOD MART	MATERIAL DESCRIPTION	NONE		DWG SIZE A
THIS DRAWING DESIGN PRINT OR DOCUMENT AND THE INFORMATION CONTAINED THEREIN IS THE PROPERTY OF LYNX MANUFACTURING AND IS SUBMITTED IN CONFIDENCE WITH THE UNDERSTANDING THAT THE RECIPIENT SHALL NOT REPRODUCE COPY LOAN OR DISCLOSE TO ANYONE OUTSIDE RECIPIENT'S ORGANIZATION DIRECTLY OR INDIRECTLY OR USE ANY PURPOSE THAN THAT FOR WHICH IS SUBMITTED		FINISH	NONE		DRAWN
		PART DESCRIPTION		DATE	
		SIGN BOARD FOR PUBLIC WAY OF USE		Nov-19-11	
		1047 W GRANVILLE AVE , CHICAGO, IL 60660			
UNITS INCHES		TOLERANCES		PART NO	REV
PROJECTIONS		DECIMAL	X = ± 1	FRACTIONS	00
THIRD ANGLE		XX = ± 02	ANGLES	± 1/16	
SCALE NTS	XXX = ± 005		± 5°		