



Office of the Chicago City  
Clerk



O2011-7627

Office of the City Clerk

City Council Document Tracking Sheet

<b>Meeting Date:</b>	9/8/2011
<b>Sponsor(s):</b>	Fioretti, Bob (2)
<b>Type:</b>	Ordinance
<b>Title:</b>	Awning(s) for Computer Services & Counseling
<b>Committee(s) Assignment:</b>	Committee on Transportation and Public Way

ORDINANCE  
COMPUTER SERVICES & CONSULTING  
Acct. No. 23737 - 5  
Permit No. 1097649

*Be It Ordained by the City Council of the City of Chicago:*

SECTION 1. Permission and authority are hereby given and granted to COMPUTER SERVICES & CONSULTING, upon the terms and subject to the conditions of this ordinance to construct, install, maintain and use one (1) Awning(s) projecting over the public right-of-way adjacent to its premises known as 1619 S. Michigan Ave..

Said Awning(s) at S. Michigan measure(s):

One (1) at six point eight three (6.83) feet in length, and two point eight three (2.83) feet in width for a total of nineteen point three three (19.33) square feet.

The location of said privilege shall be as shown on prints kept on file with the Department of Business Affairs and Consumer Protection and the Office of the City Clerk.

Said privilege shall be constructed in accordance with plans and specifications approved by the Zoning Department - Signs.

This grant of privilege in the public way shall be subject to the provisions of Section 10-28-015 and all other required provisions of the Municipal Code of Chicago.

The grantee shall pay to the City of Chicago as compensation for the privilege #1097649 herein granted the sum of fifty (\$50.00) per annum in advance.

A 25% penalty will be added for payments received after due date.

The permit holder agrees to hold the City of Chicago harmless for any damage, relocation or replacement costs associated with damage, relocation or removal of private property caused by the City performing work in the public way.

Authority herein given and granted for a period of five (5) years from and after Date of Passage.

Alderman

  
Bob Fioretti 2nd Ward



**ROBERT BRIAN AWNING COMPANY**

8152 North Lawndale, Skokie, Illinois 60076

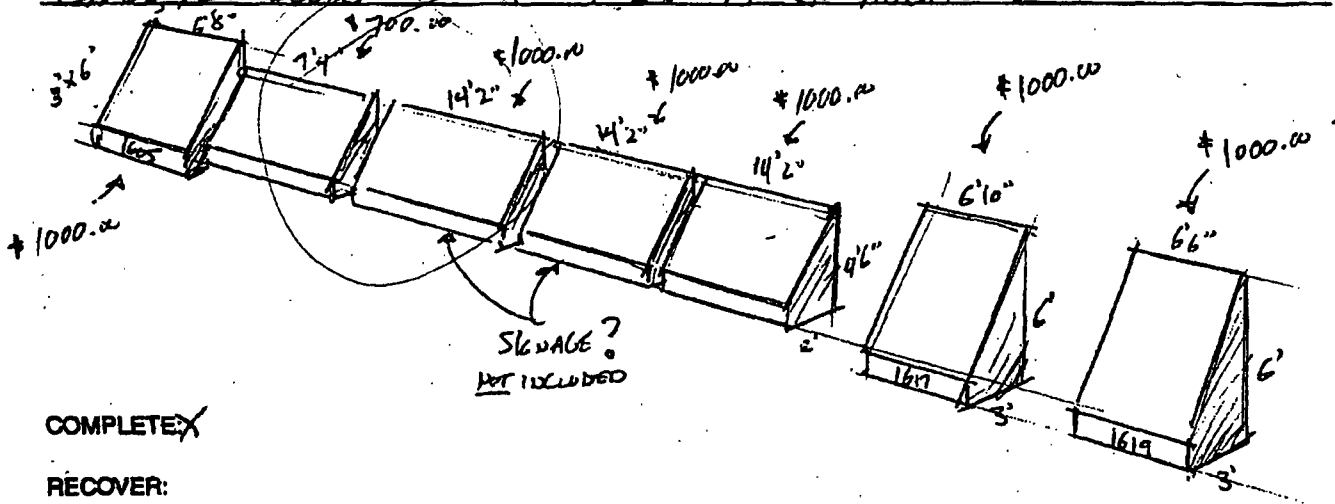
WESTWARD MANAGEMENT - CON

(773) 274-6461  
(847) 679-1145  
FAX # (847) 679-1165

C/O SAM HAZAN

KR 773-897-0646

SUBMITTED TO <b>WESTWARD MANAGEMENT</b>	PHONE <b>800-901-5431 *9214</b>	DATE <b>4-26-11</b>
STREET <b>4311 N. RAVENSWOOD</b>	JOB NAME <b>STUDEBAKER LOFTS</b>	
CITY, STATE, AND ZIP CODE <b>CHICAGO IL 60613</b>	JOB SITE <b>1605 E 19th &amp; MICHIGAN</b>	



COMPLETE

RECOVER:

REPAIR:

CLOTH: **SUNBLENDA (BLACK)**

BORDER:

FRAMEWORK: **CALV. TOBING**

INSTALLATION ON OR ABOUT **3-4 WEEKS OF DEPOSIT**

AUTHORIZED SIGNATURE *Robert Lucius*  
**ROBERT LUCIUS**

\* PRICE DOES NOT INCLUDE PERMITS

ESTIMATE	\$ 6500.00
PRICE	
10% SALES TAX	\$ 100.00
TOTAL PRICE	\$ 6600.00
1/2 DEPOSIT	\$ 3300.00
C.O.D. BALANCE	\$ 3300.00

No additions or changes to be made in above specifications.

Erection or delivery subject to delays caused by strikes, lockouts, fires, accidents or other causes beyond our control. Title shall not pass to Buyer with delivery of said personal property but shall remain vested in Seller until the entire purchase price is paid. Buyer hereby acknowledges receipt of said personal property. Upon default by Buyer in the payment of any installment of the price or in the performance of any agreement of Buyer herein, Seller may, without notice, take possession of said personal property as Seller's own individual and sole property, free and clear of any claim by Buyer, and retain any and all payments made as liquidated damages for the use by Buyer and for depreciation and for expense to Seller of taking possession of said personal property, or Seller, without notice, may take possession of said personal property and sell same without notice, in which case the proceeds of sale shall be applied upon the unpaid balance of the price and expense to Seller of taking possession, storage and resale.

**Acceptance of Proposal** The above prices, specifications and conditions are satisfactory and are hereby accepted. You are authorized to do the work as specified. Payment will be made as outlined above.

Date of Acceptance: 6/11

Signature *Sam Hazan* Property Manager  
Signature \_\_\_\_\_