



City of Chicago



O2016-5016

Office of the City Clerk

Document Tracking Sheet

Meeting Date:	6/22/2016
Sponsor(s):	Hopkins (2)
Type:	Ordinance
Title:	Grant(s) of privilege in public way for Plum Market
Committee(s) Assignment:	Committee on Transportation and Public Way

ORDINANCE
PLUM MARKET
Acct. No. 373627 - 1
Permit No. 1117974

Be It Ordained by the City Council of the City of Chicago:

SECTION 1. Permission and authority are hereby given and granted to PLUM MARKET, upon the terms and subject to the conditions of this ordinance to maintain and use one (1) sign(s) projecting over the public right-of-way attached to its premises known as 1233 N. Wells St..

Said sign structure(s) measures as follows; along N Wells St:

One (1) at four point seven five (4.75) feet in length, four point seven five (4.75) feet in height and eleven (11) feet above grade level.

The location of said privilege shall be as shown on prints kept on file with the Department of Business Affairs and Consumer Protection and the Office of the City Clerk.

Said privilege shall be constructed in accordance with plans and specifications approved by the Department of Transportation (Division of Project Development) and Zoning Department - Signs.

This grant of privilege in the public way shall be subject to the provisions of Section 10-28-015 and all other required provisions of the Municipal Code of Chicago.

The grantee shall pay to the City of Chicago as compensation for the privilege #1117974 herein granted the sum of one hundred (\$100.00) per annum in advance.

A 25% penalty will be added for payments received after due date.

The permit holder agrees to hold the City of Chicago harmless for any damage, relocation or replacement costs associated with damage, relocation or removal of private property caused by the City performing work in the public way.

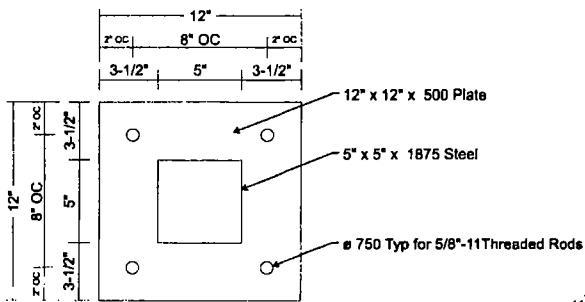
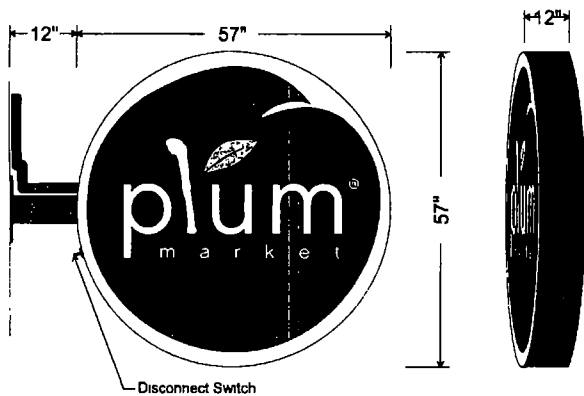
Authority herein given and granted for a period of five (5) years from and after Date of Passage.

Alderman _____



~~Michele Smith~~ 43rd Ward

Brian Hopkins 2nd Ward



Electrical Requirements
 (1) dedicated 120V or 277V
 20amp single phase circuit
 brought to sign location by other

12" deep fabricated aluminum blade sign, 080 Aluminum return with .1875 #7328 translucent white acrylic faces, with respective color vinyl graphics applied 1" std white trimcap Returns painted PMS 222C Steel structure included for mounting to 5" x 5" x 3/16" tube

Internally illuminated with white LEDs, mounted to .040 baffle, Power supply mounted inside sign

Mounted to exterior wall with steel post mechanically mounted to saddle frame, attached to wall with plate - 12" x 12" x 1/2" steel plate Through bolted where possible behind parapet wall, 5/8"-11 Threaded Rods into CMU for remaining mounting holes if necessary

Power brought to sign by other - run in flexible conduit painted black along top of mounting tube Power supplies mounted inside sign cabinet

Colors to Match

- Translucent Face #7328 White
- Translucent Vinyl Face To match PMS 376C
- Translucent Vinyl Face To Match PMS 222C
- Paint To Match PMS 222C @ 88%

D/S Illuminated Blade Sign
 3/4" = 1"

SOUTH WATER SIGNS
 934 N Church
 Elmhurst, IL 60126
 tel 630 333 4300
 fax 630 333 4315

CLIENT Plum Market	PROJECT NAME 1233 N Wells St Chicago IL	DATE 03 13 14	REVISED REV: 04 07 14 04 15 14 01 27 15
CUSTOMER APPROVAL	TRACKER NUMBER 7007431	DESIGN BY JW	

