



City of Chicago



O2014-7763

Office of the City Clerk

Document Tracking Sheet

| | |
|---------------------------------|---------------------------------------------------------------------|
| Meeting Date: | 9/10/2014 |
| Sponsor(s): | Waguespack (32) |
| Type: | Ordinance |
| Title: | Grant(s) of privilege in public way for Underbar - security cameras |
| Committee(s) Assignment: | Committee on Transportation and Public Way |

ORDINANCE
UNDERBAR
Acct. No. 6581 - 1
Permit No. 1114389

Be It Ordained by the City Council of the City of Chicago:

SECTION 1. Permission and authority are hereby given and granted to UNDERBAR, upon the terms and subject to the conditions of this ordinance to maintain and use, as now constructed, three (3) Security Camera(s) projecting over the public right-of-way for security purposes adjacent to its premises known as 3243 N. Western Ave..

Said Security Camera(s) at N. Western Avenue measure(s):

Three (3) at point one seven (.17) feet in length, point zero eight (.08) feet in width and ten (10) feet above grade level.

The location of said privilege shall be as shown on prints kept on file with the Department of Business Affairs and Consumer Protection and the Office of the City Clerk.

Said privilege shall be constructed in accordance with plans and specifications approved by the Department of Planning and Development and Department of Transportation (Division of Project Development).

This grant of privilege in the public way shall be subject to the provisions of Section 10-28-015 and all other required provisions of the Municipal Code of Chicago.

The grantee shall pay to the City of Chicago as compensation for the privilege #1114389 herein granted the sum of zero (\$.00) per annum in advance.

A 25% penalty will be added for payments received after due date.

The permit holder agrees to hold the City of Chicago harmless for any damage, relocation or replacement costs associated with damage, relocation or removal of private property caused by the City performing work in the public way.

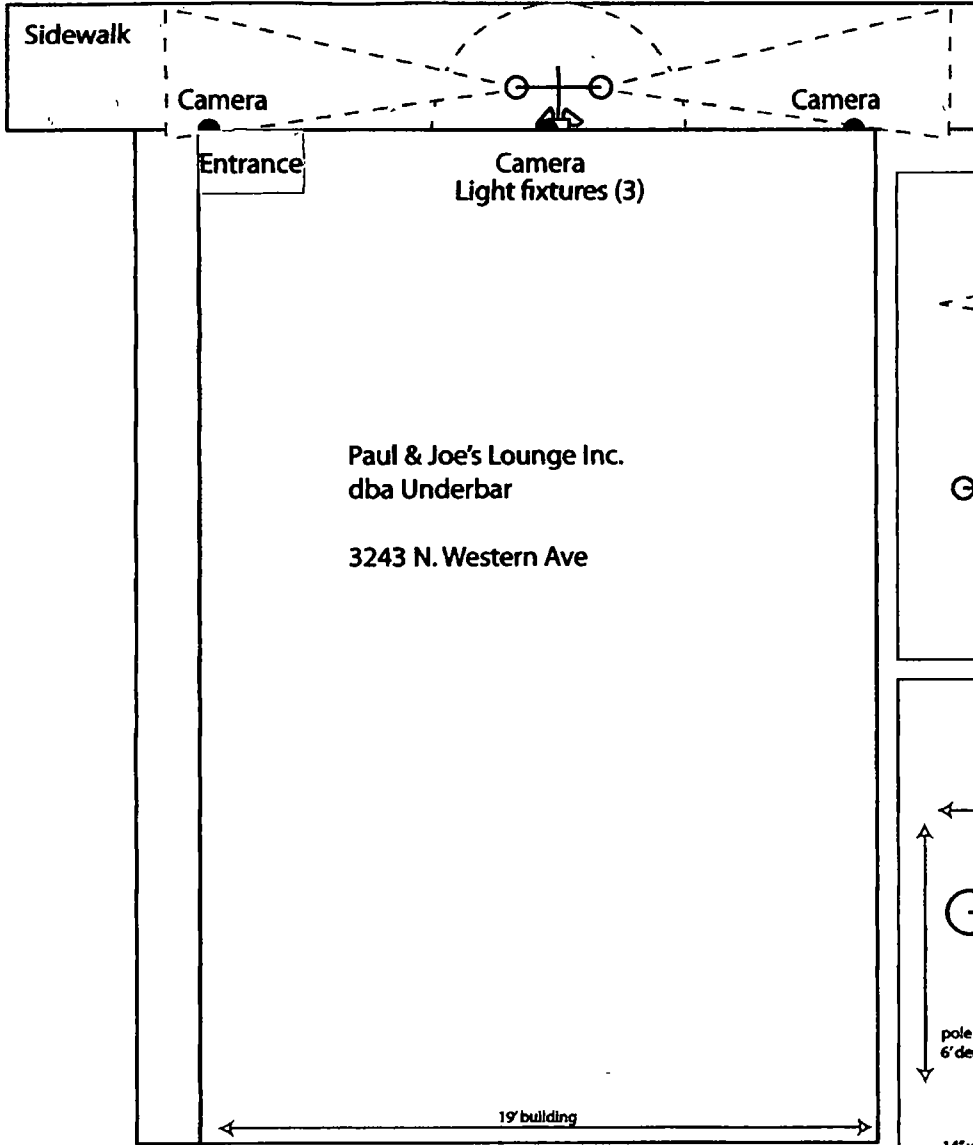
Authority herein given and granted for a period of five (5) years from and after 06/30/2014.

Alderman 
Scott Waguespack 32nd Ward

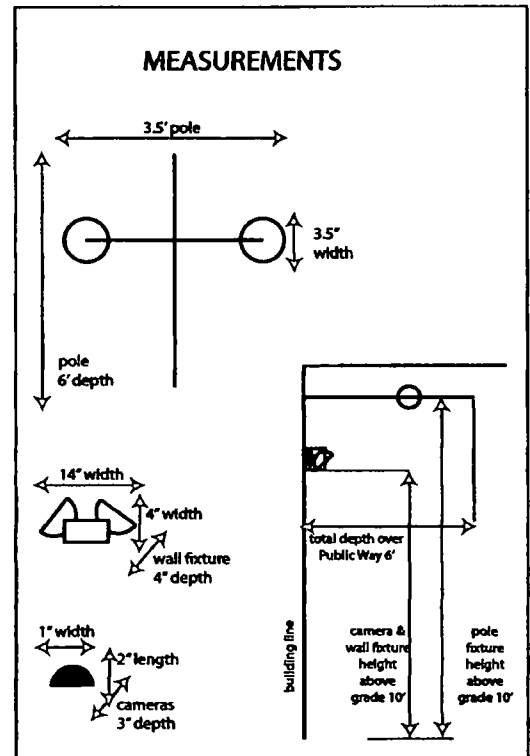
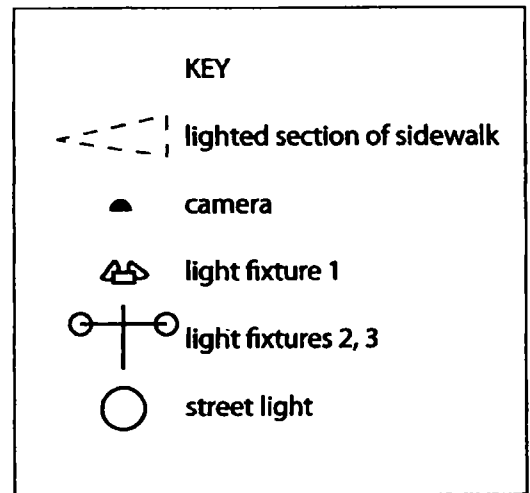
Paul & Joe's Lounge Inc., dba **Underbar** • 3243 N. Western Ave
Public Way



Western Ave.



sidewalk
8' depth





09/10/2014

Alderman Scott Waguespack
Ward # 32
City of Chicago
City Hall, Room 300
121 North LaSalle Street
Chicago, Illinois 60602

Re: An ordinance to use and maintain a portion of the public right-of-way for **three (3) security camera(s)** for **UNDERBAR**, adjacent to the premises known as **3243 N. Western Ave.**.

Dear Alderman **Scott Waguespack**:

The applicant referenced above has requested the use of the public right-of-way for a **security camera(s)**. An ordinance has been prepared by the Department of Business Affairs and Consumer Protection – Small Business Center - Public Way Use Unit for presentation to the City Council. Because this request was made for properties located in your ward, as approved by you as per the attached, I respectfully request that you introduce the attached ordinance at the next City Council meeting.

If you have any questions regarding this ordinance, please contact Anthony Bertuca at (312) 744-5506.

Department of Business Affairs and Consumer Protection