



# City of Chicago



Or2013-319

Office of the City Clerk

## Document Tracking Sheet

<b>Meeting Date:</b>	6/5/2013
<b>Sponsor(s):</b>	Reilly, Brendan (42)
<b>Type:</b>	Order
<b>Title:</b>	Issuance of permits for sign(s)/signboard(s) at 108 N State St - Dearborn banner
<b>Committee(s) Assignment:</b>	Committee on Zoning, Landmarks and Building Standards

100492387

Committee on Buildings

(signs)

ORDERED, That the Commissioner of Buildings is hereby directed to issue a sign permit to: (Contractor's name and address)


Landmark Sign Group  
7424 Industrial Ave.  
Chester ton, IN

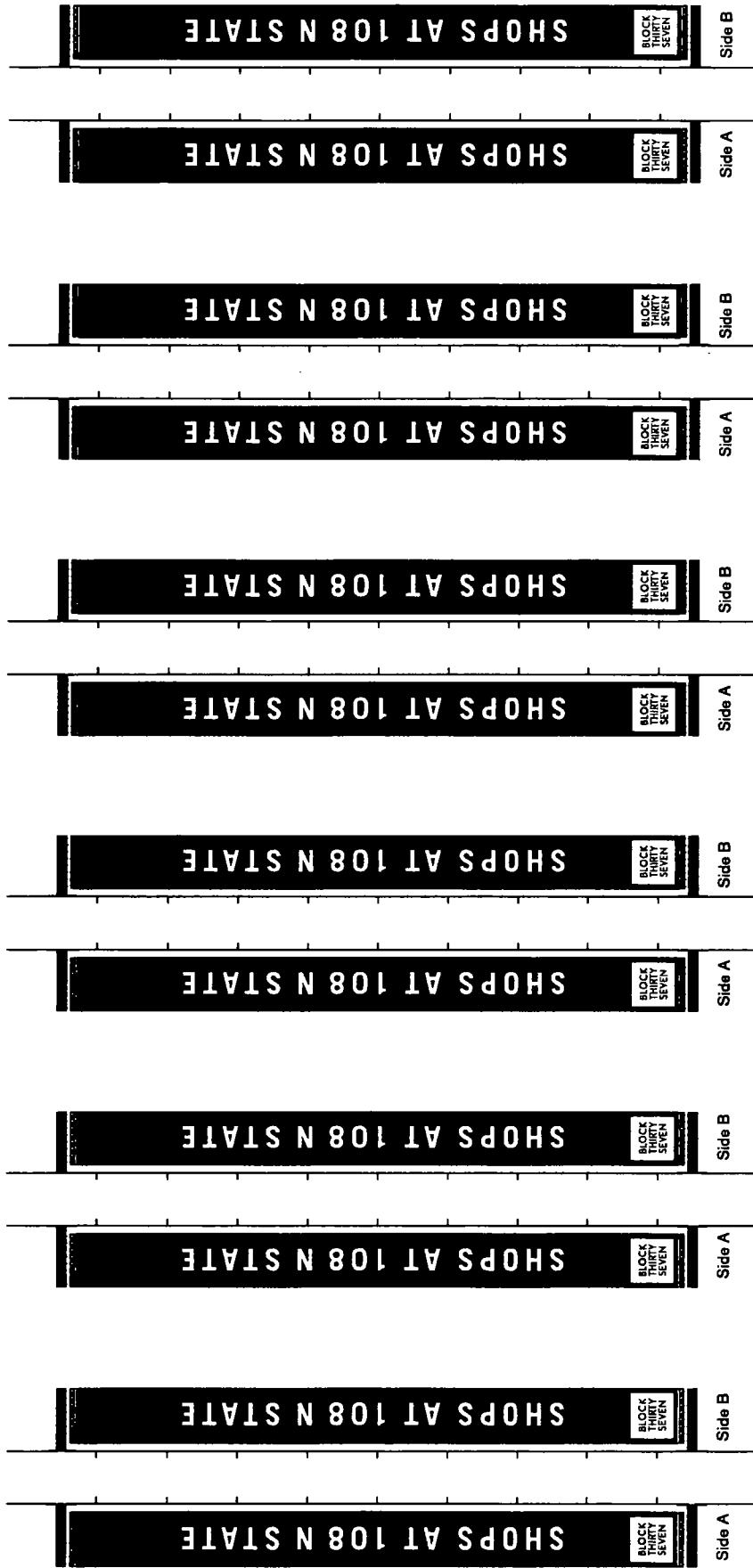
for the erection of a sign/signboard over 24 feet in height and/or over 100 square feet (in area of one face) at: (Business NAME & ADDRESS)

Block 37 (Banner - Dearborn)  
108 N. State Street  
Chicago IL 60601

Dimensions: length 4' height 40' 6"  
height above grade/roof to top of sign 74'6"  
TOTAL SQUARE FOOT AREA 162

Such sign(s) shall comply with all applicable provisions of TITLE 17 of the Chicago Zoning Ordinance and all other applicable provisions of the Municipal Code of the City of Chicago governing the construction and maintenance of outdoor signs, signboards and structures.

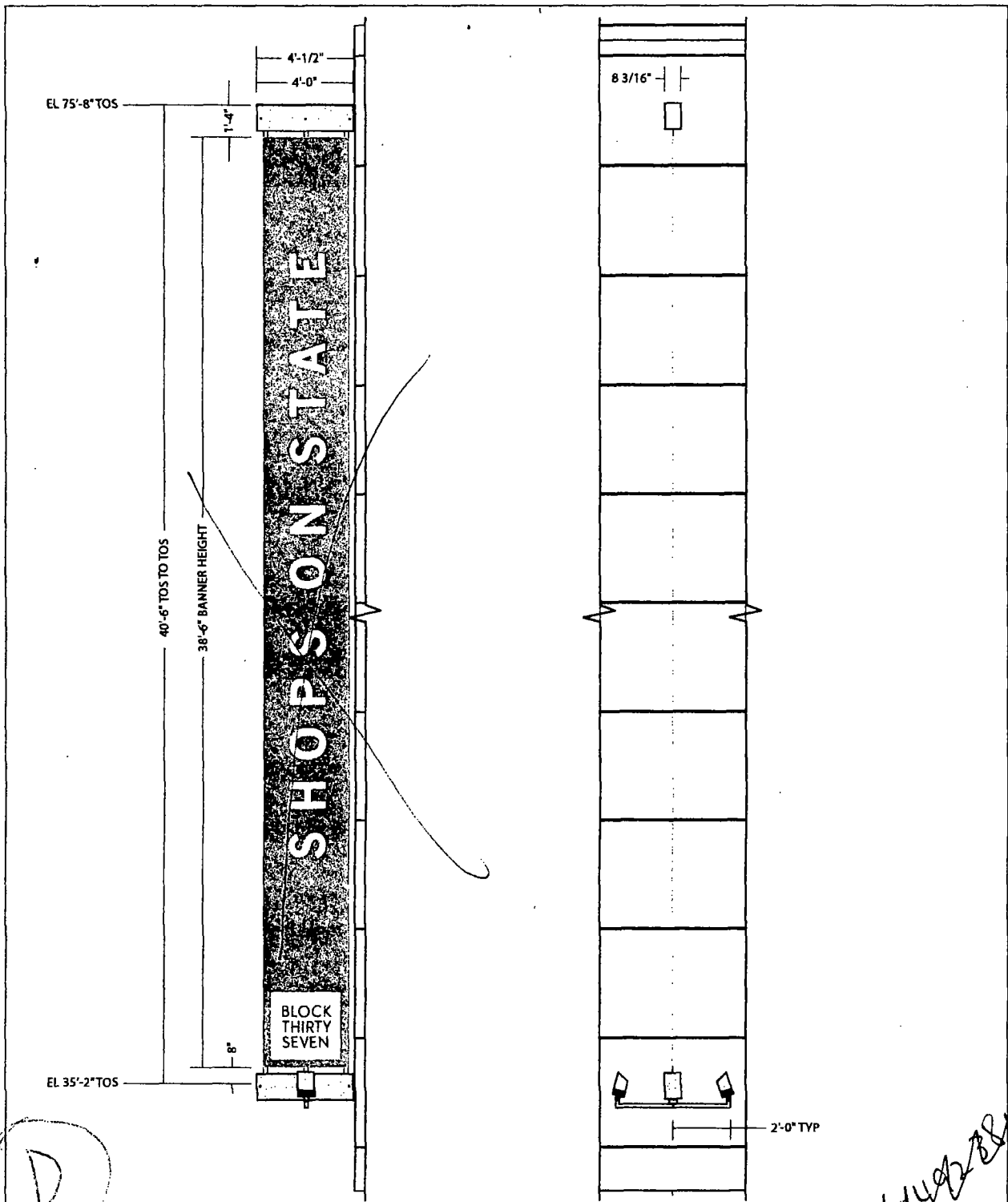
  
Alderman, Ward 42  
Reilly



Banner 1 Side A Side B Banner 2 Side A Side B Banner 3 Side A Side B Banner 4 Side A Side B Banner 5 Side A Side B Banner 6 Side A Side B

Note: Banner final color to be determined.

<b>KIKU OBATA</b>	CIM Group	May 23, 2013 © 2013 Kiku Obata & Company www.kikubata.com	Block Thirty Seven	Sign Type D	<b>03</b>
-------------------	-----------	---	--------------------	-------------	-----------



**SIGN TYPE D - ELEVATION VIEW**

**(6) SIX BANNERS WITH VINYL APPLIED GRAPHICS, TENSIONING HARDWARE AND LIGHTING**

**BANNER = SUNBRELLA MARINE GRADE FABRIC WITH BLOCKOUT**

**BACKGROUND COLOR = TBD**

**COPY & LOGO = TBD - PER TENANT**

**SUPPORTS, LIGHTS & COVERS = TO MATCH ARCADIA CHAMPAGNE**

NOTES: ALL SIZES, DIMENSIONS AND ELEVATIONS TO BE FIELD VERIFIED  
ALL COPY, LOGOS, COLORS AND ARTWORK FOR FINAL LAYOUTS  
TO BE PROVIDED BY KO FOR FINAL APPROVAL.

*Handwritten signature/initials*

Landmark



group

7424 Industrial Avenue  
Chesterton, IN 46304  
phone 219.762.9577  
fax 219.762.4259

**SO-21123-D-1**  
**PRINT #**

**BLOCK THIRTY SEVEN**

CLIENT NAME

04.03.13

DATE

**SHAUN O'BRIEN**

LSG SALES REP.

108 N. STATE STREET  
CHICAGO, IL

JOB LOCATION

TA

DRAWN BY

1/4" = 1'-0"

SCALE

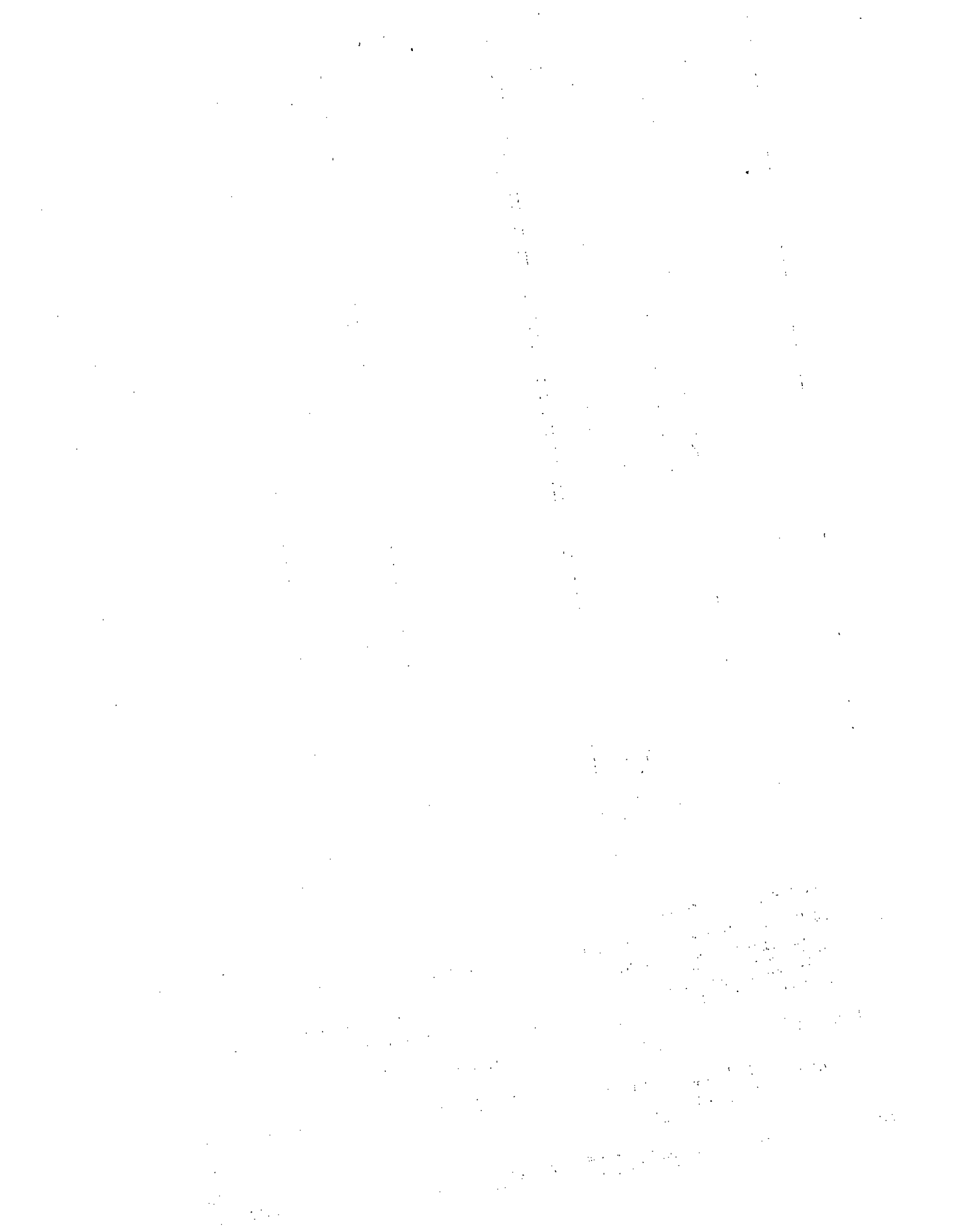
**REVISIONS:**

1.

Customer Acceptance SIGNATURE DATE

IF REQUIRED: Landlord Acceptance SIGNATURE DATE

LSG SALES INITIALS DATE

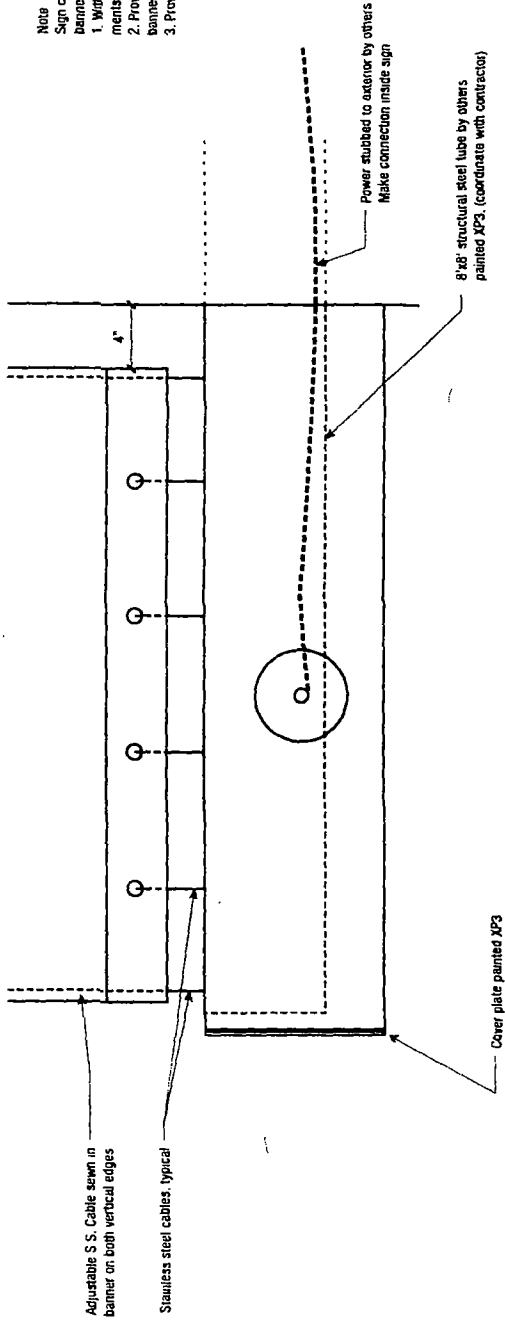




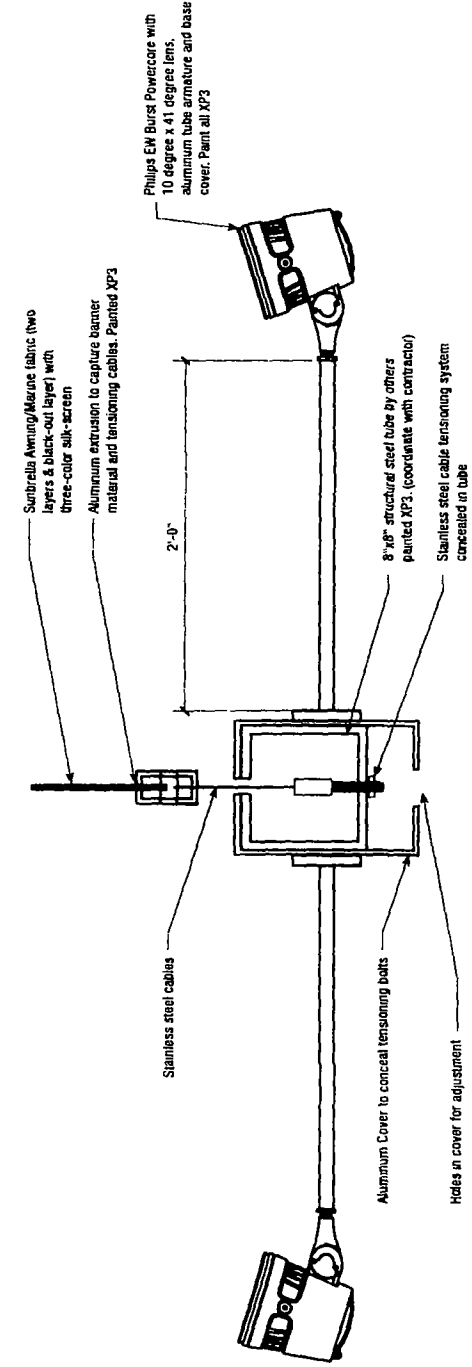
Note  
 Sign contractor to engineer banner and  
 banner cable and tensioning system, to  
 withstand Chicago wind load require-  
 ments  
 2. Provide adjustable tensioning to keep  
 banner face flat and edges straight  
 3. Provide for Changeable banner

**Kiko Obata & Company**  
 6161 Delmar Boulevard  
 Suite 200  
 St. Louis, Missouri 63112  
 Phone 314-361-3110  
 Fax 314-361-4718  
 www.kikoobata.com

**Block  
 Thirty  
 Seven**  
 108 N. State Street  
 Chicago, Illinois



**1** ELEVATION DETAIL AT BASE: SIGN TYPE D - Typical Banner  
 SCALE: 1 1/2" = 1'-0"



**2** SECTION DETAIL: SIGN TYPE D - Typical Banner  
 SCALE: 1 1/2" = 1'-0"

**CIM Group**

12.04.2012  
 Exterior Signage  
 201207.03  
 © Kiko Obata & Company, Inc 2012

REVISIONS	No.	Date	Description
	1		
	2		
	3		
	4		
	5		

Drawn by: J.R. TM  
 Checked by: DL

Sign Type D - Typical Banner  
 Details

**G5.5**



CITY OF CHICAGO

**DEPARTMENT OF BUILDINGS****Sign Permit Application**

APPROVAL NUMBER	APPLICATION NUMBER 100492387	ANNUAL FEE	WORK CODE	DRAWINGS ATTACHED <input type="checkbox"/> YES <input type="checkbox"/> NO
DATE OF APPLICATION 05/27/2013		TYPE OF SIGN FLAT OR BOX		
ADDRESS OF SIGN 108 N STATE ST, 60602-		LENGTH	FT. 4	IN. 0
BUILDING	ORIGINAL PERMIT NUMBER	HEIGHT	FT. 40	IN. 6
TYPE OF PERMIT NEW CONSTRUCTION (SIGN)		AREA	SQ FT 162	WEIGHT 500
PAYER OF ANNUAL INSPECTION 108 N. STATE ST. - STE. 390, 108 N STATE ST CHICAGO, IL 60602 (312)261-4702		SIGN HEIGHT ABOVE GRADE/ROOF		FT. 34
SIGN MANUFACTURER LANDMARK SIGN GROUP		SHAPE OF SIGN REGULAR		
ADDRESS WHERE SIGN CAN BE SEEN PRIOR TO ERECTION		SIGN WILL READ SHOPS ON STATE		
TICKET NUMBER 0	REINSPECTION CONTROL NUMBER	NO. OF LAMPS 2	TOTAL WATTAGE 800	
TYPE OF SUPPORT FOR SIGN BUILDING		TYPE OF LAMP INCANDESCENT		
SIGN BOARD SUPPORT MEMBERS STEEL		NO. OF BALLAST/TRANSFORMERS 2	INPUT OF TRANSFORMERS 120	
ANNUAL FEE		CONTRACTOR WILL INSTALL		
CONSTRUCTION FEE 200.00		<input checked="" type="checkbox"/> FEEDERS		
1017 B FEE		<input checked="" type="checkbox"/> CUSTOMER LEADS		
TOTAL FEE 200.00		TYPE OF SWITCH SPECIAL		
AMOUNT PAID 200.00		LOCATION OF SWITCH OUTSIDE SIGN		
BALANCE DUE		SIGN LOCATION DEARBORN STREET ELEVATION: DOUBLE FACE BANNER ILLUMINATED BY SPOT LIGHTS "SHOPS ON STATE"		
Check # for Zoning				
Check # for DCAP				

The undersigned certifies that the statements in this application are true and correct and that all work done under the proposed permit will conform to the requirements of the Chicago Municipal Code

REG. NO. E92009	BOND. NO.	REG. NO. N90730
ELECT CONTR HOWARD UNELL	SIGN ERECTOR LANDMARK OUTD'R ADVERTIS'	SIGNER
ADDRESS 0N730 BARRY AVE. WHEATON, IL 60187-	ADDRESS 7424 INDUSTRIAL AVE CHESTERTON XXX IN, 46304	
SUPERVISOR SIGNATURE	SIGNATURE	

The permit issued on this application will authorize only signs here applied for. If other signs are to be erected they must be covered by additional permits

City of Chicago  
Rahm Emanuel, MayorDepartment of Buildings  
Michael Merchant, Commissioner

TYPE OF BUSINESS <u>COMMERCIAL</u> Other: <u>SHOPPING CENTER</u> Name: <u>SHOPS ON STATE</u> LIC #: _____ Renewal Date: _____	SIGN BOND REQUIRED? <input type="checkbox"/> YES COUNCIL ORDER REQUIRED <input checked="" type="checkbox"/> YES IS SPECIAL PERMISSION REQUIRED FROM CHIEF ELECTRICAL <input type="checkbox"/> YES IF YES, ATTACH LETTER OF REQUEST
Projects Over: <input checked="" type="checkbox"/> Private Property <input checked="" type="checkbox"/> Public Way Grant Permit #: <u>1106743</u> <input checked="" type="checkbox"/> Planned Development/Manufacturing PMD/PD#: <u>489</u> Zoning District: <u>OTHER</u> Other: <u>PD</u>	TIME STAMP
TYPE OF SIGN: <input type="checkbox"/> ADVERTISING <input checked="" type="checkbox"/> ILLUMINATE <input type="checkbox"/> MOVEABLE <input checked="" type="checkbox"/> BUSINESS <input type="checkbox"/> FLASHING	
TOTAL STREET FRONTAGE OF LOT (IN FEET) <u>701</u> TOTAL AREA OF NEW SIGN (SQ.FT.) <u>162</u> TOTAL AREA OF ALL SIGNS ON LOT (SQ.FT.) <u>2,394</u> HEIGHT OF SIGN ABOVE GRADE (TO TOP) <u>74ft 6in</u>	
DISTANCE OF CURB LINE OUTER EDGE (ft) <u>8</u> DISTANCE OF STRUCTURE INNER EDGE (ft) <u>12</u>	SIGN CLERK _____ APPROVED FOR PERMIT _____
DISTANCE FROM (ft): A. PUBLIC PARK (OVER 10 ACRES) <u>1,000</u> B. EXPRESSWAY (IF LESS THAN 1,000 FT.) <u>1,000</u> C. RESIDENCE DISTRICT (ADVERTISING SIGNS ONLY) <u>1,000</u>	REMARKS
IF REPLACEMENT SIGN OR CHANGE OF FACE, WHAT DOES THE EXISTING SIGN READ?  Original Payee: _____	
Landmark Hold: <input type="checkbox"/> Status: _____	
ZONING (OFFICE USE ONLY)	





**Kiko Obata & Company**  
 6161 Delmar Boulevard  
 Suite 200  
 St. Louis, Missouri 63112  
 Phone 314-361-3110  
 Fax 314-361-4716  
 www.kikuoata.com

**Block  
 Thirty  
 Seven**  
 108 N. State Street  
 Chicago, Illinois

**CIM Group**

12.04.2012  
 Exterior Signage  
 2012017.03

© Kiko Obata & Company, Inc 2012

REVISIONS	
No.	Date
1	
2	
3	
4	
5	

Drawn by: JR, TM  
 Checked by: DL

Sign Locations

**G2.2**

