



City of Chicago



O2017-5770

Office of the City Clerk

Document Tracking Sheet

Meeting Date:	7/26/2017
Sponsor(s):	Solis (25)
Type:	Ordinance
Title:	Grant(s) of privilege in public way for House of Fortune
Committee(s) Assignment:	Committee on Transportation and Public Way

ORDINANCE
HOUSE OF FORTUNE
Acct. No. 215315 - 1
Permit No. 1128799

Be It Ordained by the City Council of the City of Chicago:

SECTION 1. Permission and authority are hereby given and granted to HOUSE OF FORTUNE, upon the terms and subject to the conditions of this ordinance to construct, install, maintain and use two (2) Door Swing(s) on the public right-of-way adjacent to its premises known as 2405-2407 S. Wentworth Ave..

Said Door Swing(s) at Wentworth measure(s):

Two (2) at two point six seven (2.67) feet in length, and two point six seven (2.67) feet in width for a total of fourteen point two six (14.26) square feet.

The location of said privilege shall be as shown on prints kept on file with the Department of Business Affairs and Consumer Protection and the Office of the City Clerk.

Said privilege shall be constructed in accordance with plans and specifications approved by the Department of Transportation (Division of Project Development).

This grant of privilege in the public way shall be subject to the provisions of Section 10-28-015 and all other required provisions of the Municipal Code of Chicago.

The grantee shall pay to the City of Chicago as compensation for the privilege #1128799 herein granted the sum of one hundred fifty (\$150.00) per annum in advance.

A 25% penalty will be added for payments received after due date.

The permit holder agrees to hold the City of Chicago harmless for any damage, relocation or replacement costs associated with damage, relocation or removal of private property caused by the City performing work in the public way.

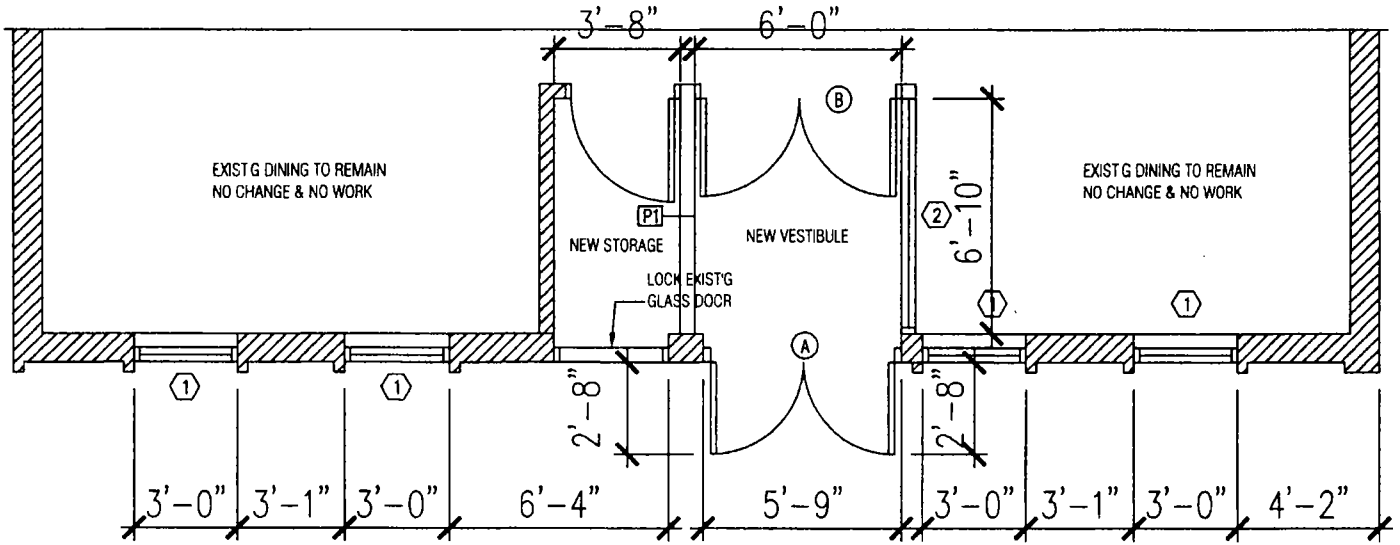
Authority herein given and granted for a period of five (5) years from and after Date of Passage.

Alderman _____


Daniel S. Solis 25th Ward

BUSINESS HOUSE FORTUNE

ADDRESS 2405-2407 S WENTWORTH AVE
CHICAGO IL 60616



A PROPOSED FLOOR PLAN
SCALE 1/4" = 1'-0"



Department of Business Affairs and Consumer Protection

Small Business Center - Public Way Use Unit
City Hall - 121 N. LaSalle Street, Room 800 • Chicago, IL 60602
312-74-GOBIZ / 312-744-6249 • (312) 744-1944 (TTY)
<http://www.cityofchicago.org/bacp>

07/26/2017

Alderman **Daniel S. Solis**
Ward # 25
City of Chicago
City Hall, Room 304
121 North LaSalle Street
Chicago, Illinois 60602

Re: An ordinance to use and maintain a portion of the public right-of-way for **two (2) door swing(s)** for **HOUSE OF FORTUNE**, adjacent to the premises known as **2405-2407 S. Wentworth Ave.**.

Dear Alderman **Daniel S. Solis**:

The applicant referenced above has requested the use of the public right-of-way for a **door swing(s)**. An ordinance has been prepared by the Department of Business Affairs and Consumer Protection – Small Business Center - Public Way Use Unit for presentation to the City Council. Because this request was made for properties located in your ward, as approved by you as per the attached, I respectfully request that you introduce the attached ordinance at the next City Council meeting.

If you have any questions regarding this ordinance, please contact Anthony Bertuca at (312) 744-5506.

Department of Business Affairs and Consumer Protection