



Office of the Chicago City  
Clerk



O2012-1583

Office of the City Clerk

City Council Document Tracking Sheet

<b>Meeting Date:</b>	3/14/2012
<b>Sponsor(s):</b>	Burnett, Walter (27)
<b>Type:</b>	Ordinance
<b>Title:</b>	Grant(s) of privilege in public way for Fox Chicago LLC
<b>Committee(s) Assignment:</b>	Committee on Transportation and Public Way

ORDINANCE  
FOX CHICAGO LLC  
Acct. No. 369207 - 1  
Permit No. 1099338

*Be It Ordained by the City Council of the City of Chicago:*

SECTION 1. Permission and authority are hereby given and granted to FOX CHICAGO LLC, upon the terms and subject to the conditions of this ordinance to construct, install, maintain and use four (4) Balcony(s) projecting over the public right-of-way adjacent to its premises known as 529 N. Milwaukee Ave...

Said Balcony(s) at W OHIO ST measure(s):

One (1) at twelve (12) feet in length, and five (5) feet in width for a total of sixty (60) square feet.

One (1) at twelve (12) feet in length, and five (5) feet in width for a total of sixty (60) square feet.

Said Balcony(s) at N MILWAUKEE ST measure(s):

One (1) at eleven (11) feet in length, and five (5) feet in width for a total of fifty-five (55) square feet.

One (1) at eleven (11) feet in length, and five (5) feet in width for a total of fifty-five (55) square feet.

The location of said privilege shall be as shown on prints kept on file with the Department of Business Affairs and Consumer Protection and the Office of the City Clerk.

Said privilege shall be constructed in accordance with plans and specifications approved by the Department of Planning and Development and Department of Transportation (Division of Project Development).

This grant of privilege in the public way shall be subject to the provisions of Section 10-28-015 and all other required provisions of the Municipal Code of Chicago.

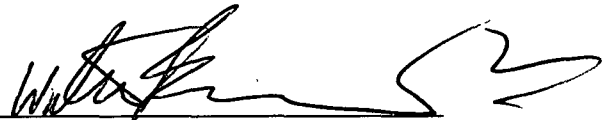
The grantee shall pay to the City of Chicago as compensation for the privilege #1099338 herein granted the sum of three hundred (\$300.00) per annum in advance.

A 25% penalty will be added for payments received after due date.

The permit holder agrees to hold the City of Chicago harmless for any damage, relocation or replacement costs associated with damage, relocation or removal of private property caused by the City performing work in the public way.

Authority herein given and granted for a period of five (5) years from and after Date of Passage.

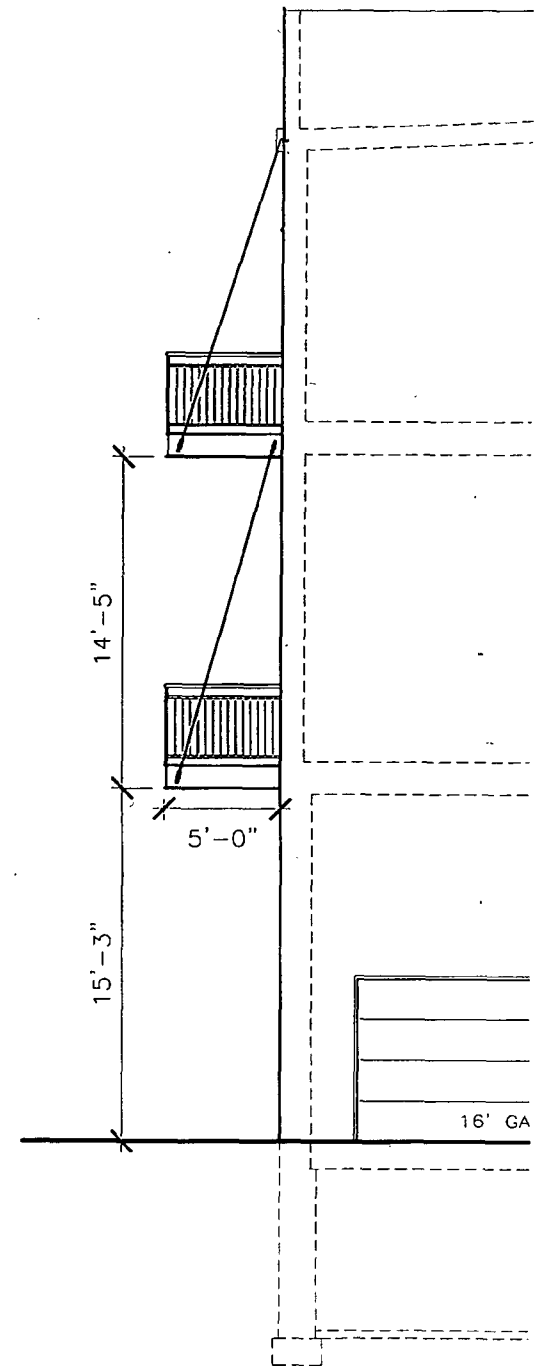
Alderman



Walter Burnett Jr. 27th Ward



NORTH ELEVATION  
SCALE 1/8" = 1'-0"



WEST ELEV  
SCALE 1/8" = 1'-0"