



City of Chicago



O2013-5330

Office of the City Clerk

Document Tracking Sheet

Meeting Date:	6/26/2013
Sponsor(s):	Reilly, Brendan (42)
Type:	Ordinance
Title:	Grant(s) of privilege in public way for Talbott Hotel, The - security cameras
Committee(s) Assignment:	Committee on Transportation and Public Way

ORDINANCE
THE TALBOTT HOTEL
Acct. No. 285789 - 1
Permit No. 1107244

Be It Ordained by the City Council of the City of Chicago:

SECTION 1. Permission and authority are hereby given and granted to THE TALBOTT HOTEL, upon the terms and subject to the conditions of this ordinance to maintain and use, as now constructed, eight (8) Security Camera(s) projecting over the public right-of-way for security purposes adjacent to its premises known as 20 E. Delaware Pl..

Said Security Camera(s) at E. Delaware Place measure(s):

Eight (8) at one point three three (1.33) foot in length, point five (.5) feet in width and eight point one six (8.16) feet above grade level.

The location of said privilege shall be as shown on prints kept on file with the Department of Business Affairs and Consumer Protection and the Office of the City Clerk.

Said privilege shall be constructed in accordance with plans and specifications approved by the Department of Planning and Development and Department of Transportation (Division of Project Development).

This grant of privilege in the public way shall be subject to the provisions of Section 10-28-015 and all other required provisions of the Municipal Code of Chicago.

The grantee shall pay to the City of Chicago as compensation for the privilege #1107244 herein granted the sum of zero (\$.00) per annum in advance.

A 25% penalty will be added for payments received after due date.

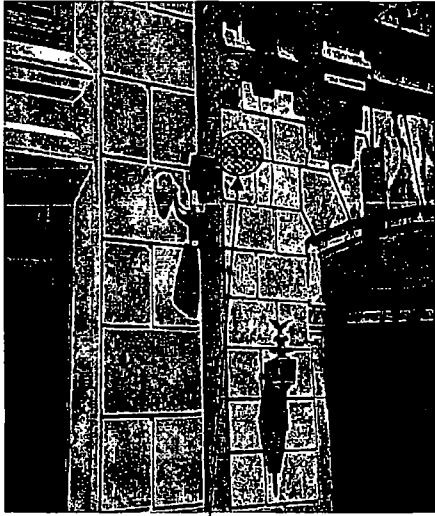
The permit holder agrees to hold the City of Chicago harmless for any damage, relocation or replacement costs associated with damage, relocation or removal of private property caused by the City performing work in the public way.

Authority herein given and granted for a period of five (5) years from and after 06/11/2013.

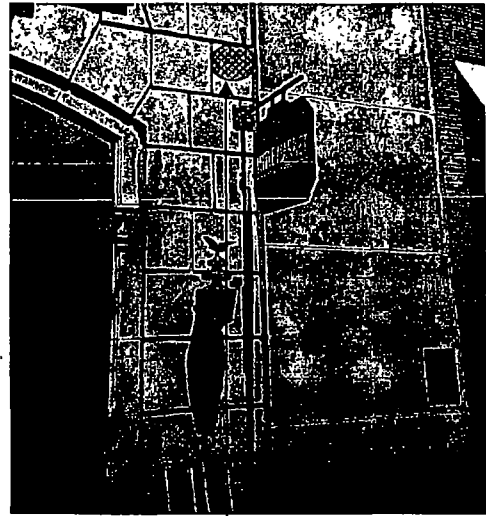
Alderman _____


Brendan Reilly 42nd Ward

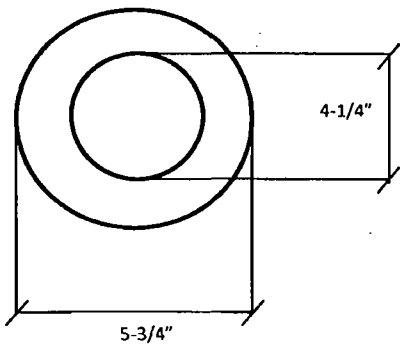
THE TALBOTT HOTEL PROJECTED SECURITY CAMERAS



CAMERA #1



CAMERA #2



HEIGHT 152" (CAM 1)
168" (CAM 2)
ABOVE THE GROUND

