



# City of Chicago



O2018-513

Office of the City Clerk

## Document Tracking Sheet

<b>Meeting Date:</b>	1/17/2018
<b>Sponsor(s):</b>	Burnett (27)
<b>Type:</b>	Ordinance
<b>Title:</b>	Grant(s) of privilege in public way for Lady Gregory's Old Town
<b>Committee(s) Assignment:</b>	Committee on Transportation and Public Way

ORDINANCE  
LADY GREGORY'S OLD TOWN  
Acct. No. 406878 - 1  
Permit No. 1128715

*Be It Ordained by the City Council of the City of Chicago:*

SECTION 1. Permission and authority are hereby given and granted to LADY GREGORY'S OLD TOWN, upon the terms and subject to the conditions of this ordinance to maintain and use one (1) sign(s) projecting over the public right-of-way attached to its premises known as 1525 N. Wells St..

Said sign structure(s) measures as follows; along N Wells St:  
One (1) at four point five (4.5) feet in length, six (6) feet in height and sixteen (16) feet above grade level.

The location of said privilege shall be as shown on prints kept on file with the Department of Business Affairs and Consumer Protection and the Office of the City Clerk.

Said privilege shall be constructed in accordance with plans and specifications approved by the Department of Transportation (Division of Project Development) and Zoning Department - Signs.

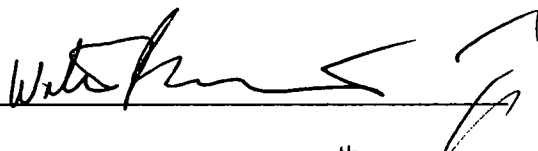
This grant of privilege in the public way shall be subject to the provisions of Section 10-28-015 and all other required provisions of the Municipal Code of Chicago.

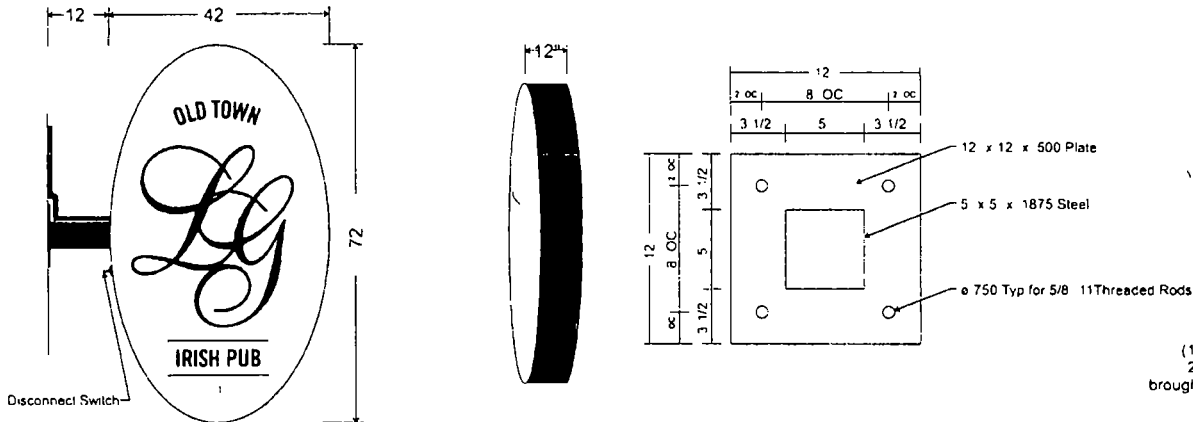
The grantee shall pay to the City of Chicago as compensation for the privilege #1128715 herein granted the sum of three hundred (\$300.00) per annum in advance.

A 25% penalty will be added for payments received after due date.

The permit holder agrees to hold the City of Chicago harmless for any damage, relocation or replacement costs associated with damage, relocation or removal of private property caused by the City performing work in the public way.

Authority herein given and granted for a period of five (5) years from and after Date of Passage.

Alderman   
Walter Burnett Jr. 27<sup>th</sup> Ward



**Electrical Requirements**  
 (1) dedicated 120V or 277V  
 20amp single phase circuit  
 brought to sign location by other

**Colors to Match**

- Steel Post/Plate :  Std Black
- Translucent Face :  #2447 White

12" deep fabricated aluminum blade sign. 090 Aluminum return with 1875 #2447 translucent white acrylic faces with digitally printed translucent applied vinyl graphics with 2" std black trimcap. Returns painted satin black. Steel structure included for mounting to 5" x 5" x 3/16" tube.

Internally illuminated with white LEDs mounted to Q40 baffle. Power supply mounted inside sign.

Mounted to exterior wall with steel post mechanically mounted to saddle frame attached to wall with plate 12" x 12" x 1/2" steel plate. Both steel post and steel plate painted Std Black. Through bolted where possible behind parapet wall 5/8" 11 Threaded Rods into CMU for remaining mounting holes if necessary.

Power brought to sign by other run in flexible conduit painted black along top of mounting tube. Power supplies mounted inside sign cabinet.

**D/S Illuminated Blade Sign**

3/4 = 1

Provided File: Blade\_Sign\_May\_2\_Opt1.pdf



C1 : Lady Gregory	P : M.M. & Linc Survey Dimensions	D : 02 14 17	R : 04 24 17 04 25 17 05 26 17
C : M.M. APPROV 1	JOB N. by 7012212	D : M	

THIS DRAWING IS PROPERTY OF SOUTHWATER SIGNS. ALL RIGHTS OF REPRODUCTION ARE RESERVED BY SOUTHWATER SIGNS.