



City of Chicago



O2015-8399

Office of the City Clerk

Document Tracking Sheet

Meeting Date:	11/18/2015
Sponsor(s):	Reilly (42)
Type:	Ordinance
Title:	Canopy(s) for UST Prime 111 Hotel Owner LP
Committee(s) Assignment:	Committee on Transportation and Public Way

ORDINANCE
UST PRIME 111 HOTEL OWNER, L.P.
Acct. No. 351272 - 1
Permit No. 1119835

Be It Ordained by the City Council of the City of Chicago:

SECTION 1. Permission and authority are hereby given and granted to UST PRIME 111 HOTEL OWNER, L.P., upon the terms and subject to the conditions of this ordinance to maintain and use, as now constructed, one (1) Canopy(s) projecting over the public right-of-way adjacent to its premises known as 151 W. Adams St..

Said Canopy(s) at W. Adams Street measure(s):

One (1) at ninety-three point eight three (93.83) feet in length, and thirteen point five (13.5) feet in width for a total of one thousand two hundred sixty-six point seven one (1266.71) square feet.

The location of said privilege shall be as shown on prints kept on file with the Department of Business Affairs and Consumer Protection and the Office of the City Clerk.

Said privilege shall be constructed in accordance with plans and specifications approved by the Zoning Department - Signs.

This grant of privilege in the public way shall be subject to the provisions of Section 10-28-015 and all other required provisions of the Municipal Code of Chicago.

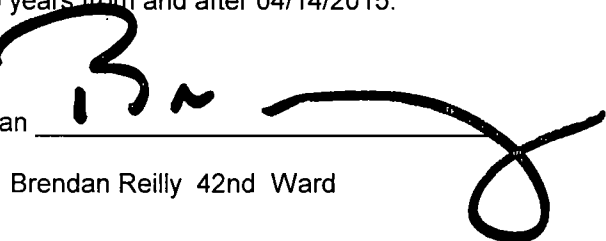
The grantee shall pay to the City of Chicago as compensation for the privilege #1119835 herein granted the sum of one hundred eighteen dollars and eighty-three cents (\$118.83) per annum in advance.

A 25% penalty will be added for payments received after due date.

The permit holder agrees to hold the City of Chicago harmless for any damage, relocation or replacement costs associated with damage, relocation or removal of private property caused by the City performing work in the public way.

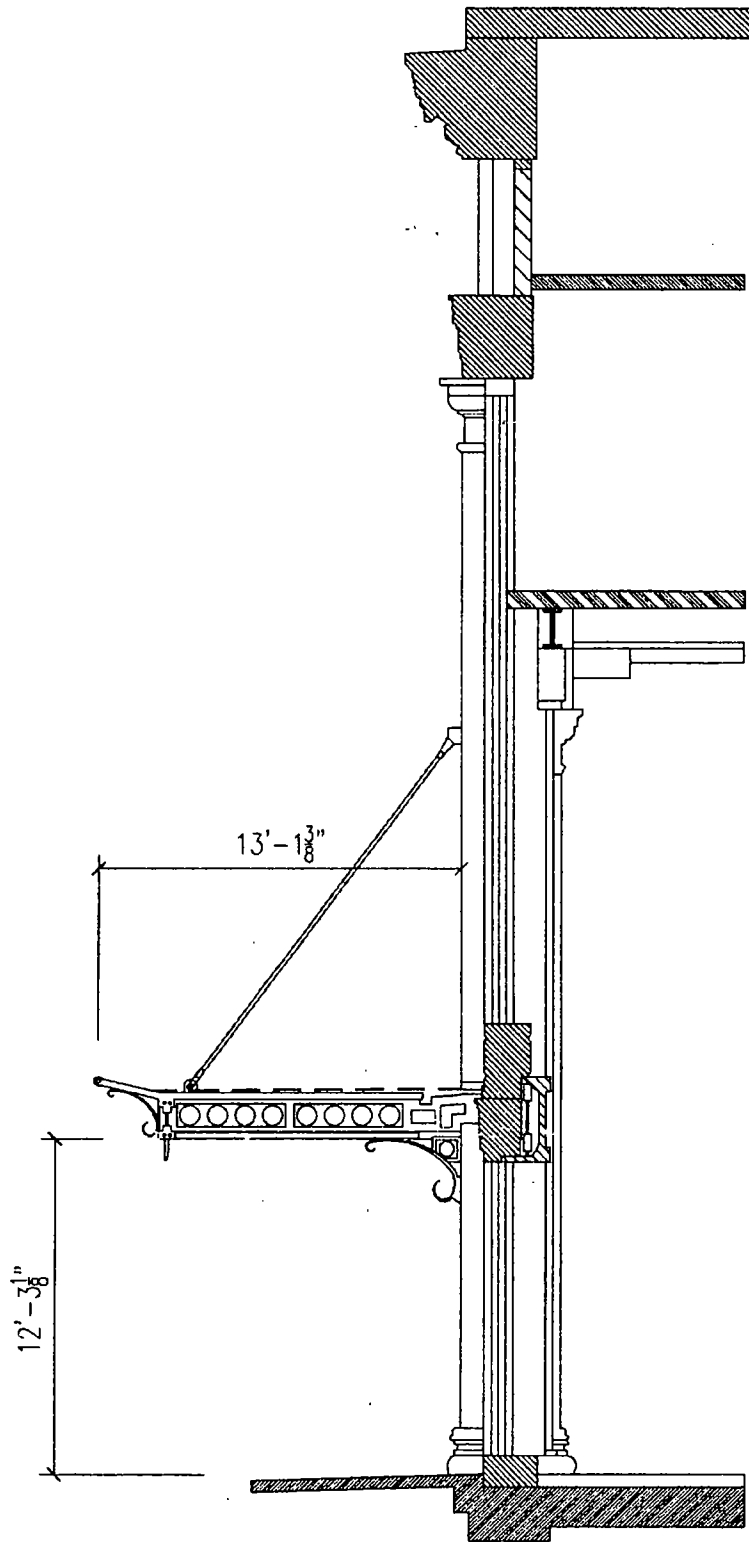
Authority herein given and granted for a period of five (5) years from and after 04/14/2015.

Alderman _____

A large, stylized handwritten signature in black ink, appearing to read 'B. Reilly', is written over a horizontal line. The signature is fluid and cursive, with a large loop at the end.

Brendan Reilly 42nd Ward

Handwritten scribbles and marks, possibly including a signature or initials.



CITY OF CHICAGO PUBLIC WAY USE PERMIT - CANOPY
JW MARRIOTT CHICAGO
151 WEST ADAMS STREET
CHICAGO, IL 60604