



City of Chicago



O2019-7626

Office of the City Clerk

Document Tracking Sheet

| | |
|---------------------------------|---|
| Meeting Date: | 9/18/2019 |
| Sponsor(s): | Burnett (27) |
| Type: | Ordinance |
| Title: | Grant(s) of privilege in public way for Jordan Mozer & Assoc. Ltd. - sculpture |
| Committee(s) Assignment: | Committee on Transportation and Public Way |

ORDINANCE
JORDAN MOZER & ASSOCIATES LIMITED
Acct. No. 39993 - 2
Permit No. 1141559

Be It Ordained by the City Council of the City of Chicago:

SECTION 1. Permission and authority are hereby given and granted to JORDAN MOZER & ASSOCIATES LIMITED, upon the terms and subject to the conditions of this ordinance to construct, install, maintain and use one (1) Sculpture(s) on the public right-of-way adjacent to its premises known as 320 N. Laflin St..

Said Sculpture(s) at W. CARROLL AVENUE measure(s):

One (1) at four (4) feet in length, and point six seven (.67) feet in width for a total of two point six eight (2.68) square feet.

The location of said privilege shall be as shown on prints kept on file with the Department of Business Affairs and Consumer Protection and the Office of the City Clerk.

Said privilege shall be constructed in accordance with plans and specifications approved by the Department of Planning and Development and Department of Transportation (Division of Project Development).

This grant of privilege in the public way shall be subject to the provisions of Section 10-28-015 and all other required provisions of the Municipal Code of Chicago.

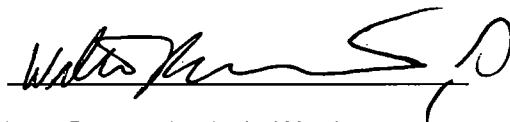
The grantee shall pay to the City of Chicago as compensation for the privilege #1141559 herein granted the sum of four hundred (\$400.00) per annum in advance.

A 25% penalty will be added for payments received after due date.

The permit holder agrees to hold the City of Chicago harmless for any damage, relocation or replacement costs associated with damage, relocation or removal of private property caused by the City performing work in the public way.

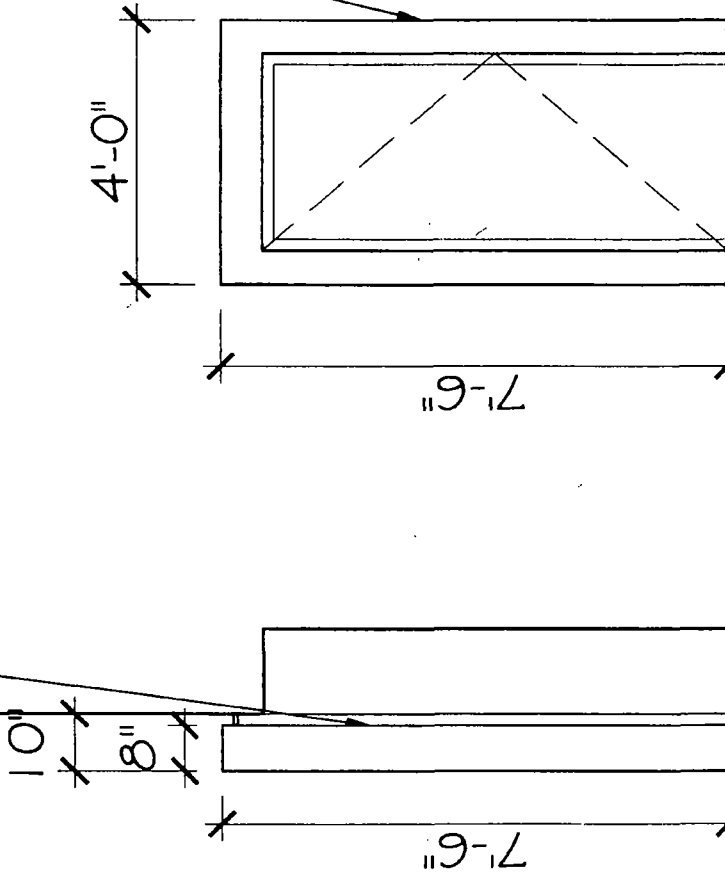
Authority herein given and granted for a period of five (5) years from and after Date of Passage.

Alderman



Walter Burnett Jr. 27th Ward

MISSISSIPPI RIVER ARCH
SCULPTURE, BOLTED TO
EXTERIOR OF BUILDING
ON SIDEWALK IN FRONT
OF CARROLL ST. DOOR



SECTION

ELEVATION



PHOTOGRAPH

RIVER ARCH SCULPTURE

3/8" = 1'-0"