



City of Chicago



O2014-4439

Office of the City Clerk

Document Tracking Sheet

Meeting Date:	5/28/2014
Sponsor(s):	Maldonado (26)
Type:	Ordinance
Title:	Awning(s) for Grandma J's, Inc.
Committee(s) Assignment:	Committee on Transportation and Public Way

ORDINANCE
Grandma J's Inc.
Acct. No. 371730 - 1
Permit No. 1102570

Be It Ordained by the City Council of the City of Chicago:

SECTION 1. Permission and authority are hereby given and granted to Grandma J's Inc., upon the terms and subject to the conditions of this ordinance to maintain and use, as now constructed, one (1) Awning(s) projecting over the public right-of-way adjacent to its premises known as 1552 N. Kedzie Ave..

Said Awning(s) at N Damen Ave measure(s):

One (1) at fifteen point seven five (15.75) feet in length, and two (2) feet in width for a total of thirty-one point five (31.5) square feet.

The location of said privilege shall be as shown on prints kept on file with the Department of Business Affairs and Consumer Protection and the Office of the City Clerk.

Said privilege shall be constructed in accordance with plans and specifications approved by the Zoning Department - Signs.

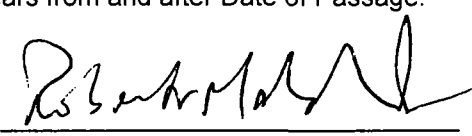
This grant of privilege in the public way shall be subject to the provisions of Section 10-28-015 and all other required provisions of the Municipal Code of Chicago.

The grantee shall pay to the City of Chicago as compensation for the privilege #1102570 herein granted the sum of fifty (\$50.00) per annum in advance.

A 25% penalty will be added for payments received after due date.

The permit holder agrees to hold the City of Chicago harmless for any damage, relocation or replacement costs associated with damage, relocation or removal of private property caused by the City performing work in the public way.

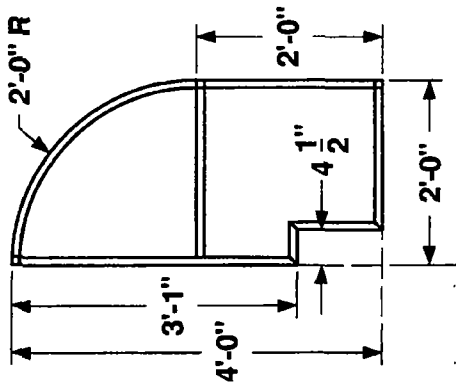
Authority herein given and granted for a period of five (5) years from and after Date of Passage.

Alderman 

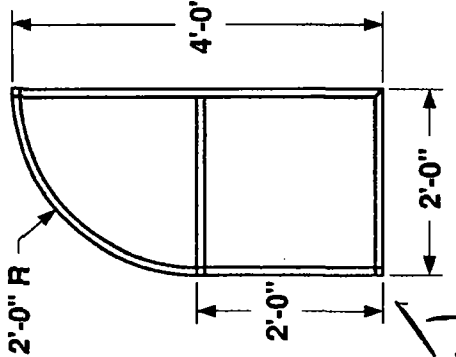
Roberto Maldonado 26th Ward

Side view

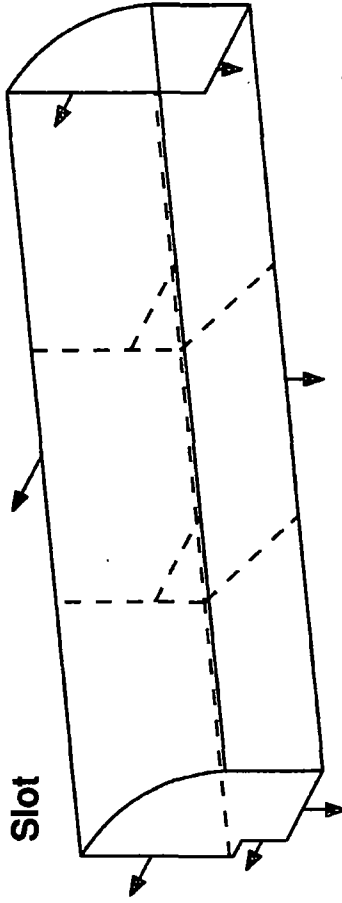
Left wing



Right wing



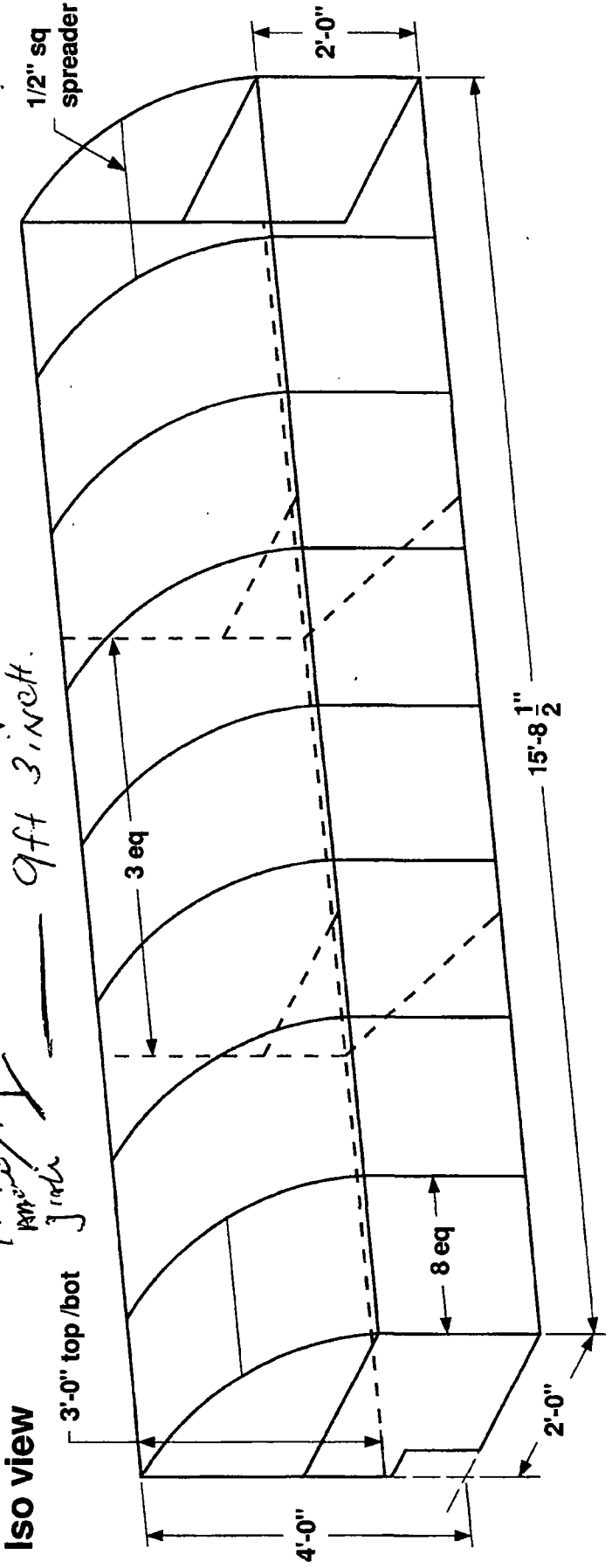
Slot



- Notes:**
- alum staple frame (1)
 - tubing, slot as noted
 - silver frame finish

Job # 722064
Grandma J's

Iso view





2nd ATTEMPT AT INTRODUCTION

05/28/2014

Alderman **Roberto Maldonado**
Ward # 26
City of Chicago
City Hall, Room 300
121 North LaSalle Street
Chicago, Illinois 60602

Re: An ordinance to use and maintain a portion of the public right-of-way for **one (1) awning(s)** for **Grandma J's Inc.**, adjacent to the premises known as **1552 N. Kedzie Ave.**.

Dear Alderman **Roberto Maldonado**:

The applicant referenced above has requested the use of the public right-of-way for a **awning(s)**. An ordinance has been prepared by the Department of Business Affairs and Consumer Protection – Small Business Center - Public Way Use Unit for presentation to the City Council. Because this request was made for properties located in your ward, as approved by you as per the attached, I respectfully request that you introduce the attached ordinance at the next City Council meeting.

If you have any questions regarding this ordinance, please contact Anthony Bertuca at (312) 744-5506.

Department of Business Affairs and Consumer Protection