



City of Chicago



O2018-8349

Office of the City Clerk

Document Tracking Sheet

| | |
|---------------------------------|---|
| Meeting Date: | 10/31/2018 |
| Sponsor(s): | Reilly (42) |
| Type: | Ordinance |
| Title: | Canopy(s) for 601 W Sullivan LLC - 7 E Madison St |
| Committee(s) Assignment: | Committee on Transportation and Public Way |

ORDINANCE
601 W Sullivan LLC
Acct. No. 430685 - 4
Permit No. 1136325

Be It Ordained by the City Council of the City of Chicago:

SECTION 1. Permission and authority are hereby given and granted to 601 W Sullivan LLC, upon the terms and subject to the conditions of this ordinance to maintain and use, as now constructed, one (1) Canopy(s) projecting over the public right-of-way adjacent to its premises known as 7 E. Madison St..

Said Canopy(s) at E MADISON measure(s):

One (1) at fifty-two point eight three (52.83) feet in length, and sixteen point zero eight (16.08) feet in width for a total of eight hundred forty-nine point five one (849.51) square feet.

The location of said privilege shall be as shown on prints kept on file with the Department of Business Affairs and Consumer Protection and the Office of the City Clerk.

Said privilege shall be constructed in accordance with plans and specifications approved by the Zoning Department - Signs.

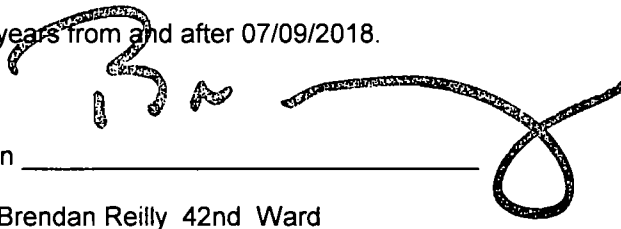
This grant of privilege in the public way shall be subject to the provisions of Section 10-28-015 and all other required provisions of the Municipal Code of Chicago.

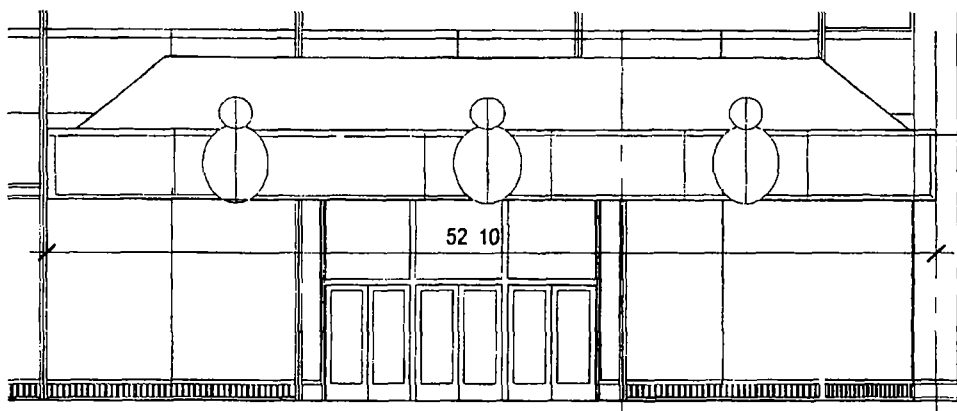
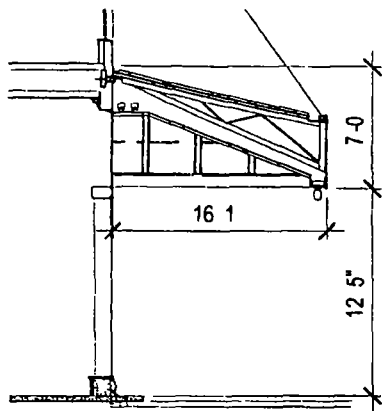
The grantee shall pay to the City of Chicago as compensation for the privilege #1136325 herein granted the sum of seventy-seven dollars and eighty-three cents (\$77.83) per annum in advance.

A 25% penalty will be added for payments received after due date.

The permit holder agrees to hold the City of Chicago harmless for any damage, relocation or replacement costs associated with damage, relocation or removal of private property caused by the City performing work in the public way.

Authority herein given and granted for a period of five (5) years from and after 07/09/2018.


Alderman _____
Brendan Reilly 42nd Ward



| | | | | | | | | |
|---------|---------------|------------------------|-------------|-------------------|--------|--------------|-----------|--|
| REF SH1 | PROJECT TITLE | SULLIVAN CENTER | SHEET TITLE | 7E MADISON CANOPY | SKETCH | SK 1 | ARCHITECT | Harboe Architects PC |
| DATE | 5/08/08 | | | | SCALE | 1/8" = 1'-0" | | 140 So th Dearborn Suite 205 Chicago IL 60601 |