



Office of the Chicago City
Clerk



O2011-6822

Office of the City Clerk

City Council Document Tracking Sheet

Meeting Date:	7/28/2011
Sponsor(s):	Tunney, Thomas (44)
Type:	Ordinance
Title:	Grant(s) of Privilege in Public Way for Pong Import & U S Auto Ser Inc
Committee(s) Assignment:	Committee on Transportation and Public Way

ORDINANCE
PONG IMPORT & U S AUTO SER INC
Acct. No. 6512 - 1
Permit No. 1097540

Be It Ordained by the City Council of the City of Chicago:

SECTION 1. Permission and authority are hereby given and granted to PONG IMPORT & U S AUTO SER INC, upon the terms and subject to the conditions of this ordinance to maintain and use one (1) sign(s) projecting over the public right-of-way attached to its premises known as 3848 N. Clark St..

Said sign structure(s) measures as follows; along N.CLARK:
One (1) at four (4) feet in length, eight (8) feet in height and ten (10) feet above grade level.

The location of said privilege shall be as shown on prints kept on file with the Department of Business Affairs and Consumer Protection and the Office of the City Clerk.

Said privilege shall be constructed in accordance with plans and specifications approved by the Department of Transportation (Division of Project Development) and Zoning Department - Signs.

This grant of privilege in the public way shall be subject to the provisions of Section 10-28-015 and all other required provisions of the Municipal Code of Chicago.

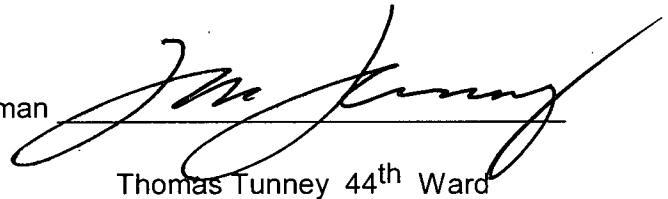
The grantee shall pay to the City of Chicago as compensation for the privilege #1097540 herein granted the sum of three hundred (\$300.00) per annum in advance.

A 25% penalty will be added for payments received after due date.

The permit holder agrees to hold the City of Chicago harmless for any damage, relocation or replacement costs associated with damage, relocation or removal of private property caused by the City performing work in the public way.

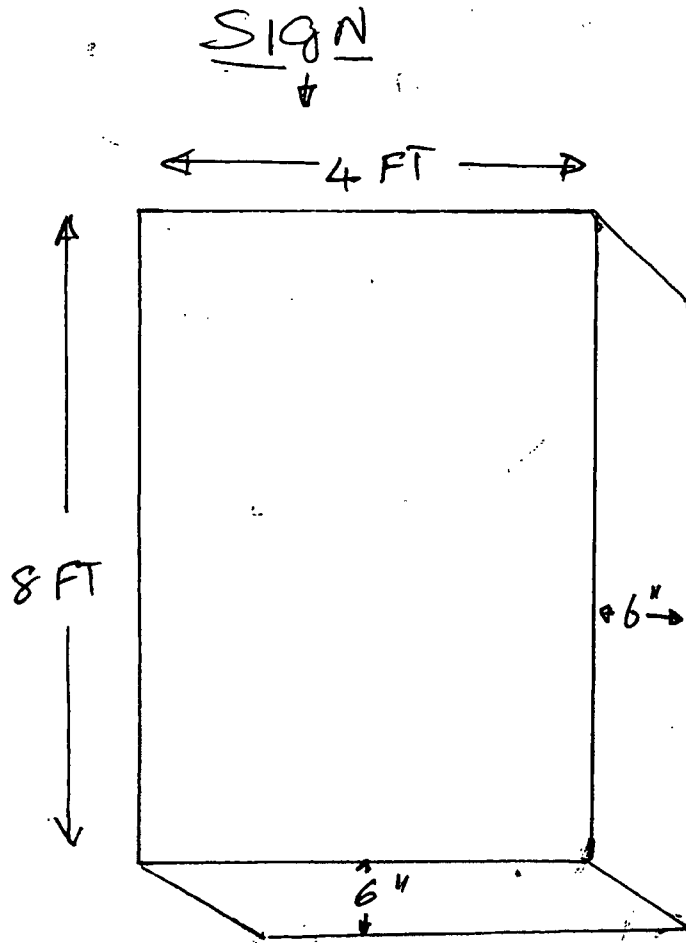
Authority herein given and granted for a period of five (5) years from and after 07/26/2011.

Alderman



Thomas Tunney 44th Ward

Pong Import & US Auto
3848 N. CLARK ST.
CHICAGO, IL 60613





Department of Business Affairs and Consumer Protection
Business Assistance Center - Public Way Use Unit
City Hall - 121 N. LaSalle Street, Room 800 • Chicago, IL 60602
(312)-74-GOBIZ (312-744-6249) • (312) 744-1944 (TTY)
<http://www.cityofchicago.org/bacp>

07/28/2011

Alderman Thomas Tunney
Ward # 44
City of Chicago
City Hall, Room 203
121 North LaSalle Street
Chicago, Illinois 60602

Re: An ordinance to use and maintain a portion of the public right-of-way for one (1) sign(s) for **PONG IMPORT & U S AUTO SER INC**, adjacent to the premises known as **3848 N. Clark St.**

Dear Alderman Thomas Tunney:

The applicant referenced above has requested the use of the public right-of-way for a sign(s). An ordinance has been prepared by the Department of Business Affairs and Consumer Protection – Business Assistance Center - Public Way Use Unit for presentation to the City Council. Because this request was made for properties located in your ward, as approved by you as per the attached, I respectfully request that you introduce the attached ordinance at the next City Council meeting.

If you have any questions regarding this ordinance, please contact John Mariane, Manager, Business Assistance Center - Public Way Use Unit, at (312) 744-2063.

Department of Business Affairs and Consumer Protection

APPLICATION TO USE THE PUBLIC RIGHT OF WAY

APPLICANT INFORMATION:

NAME: Pong Import & U S Auto Ser Inc

ACCT#: 6512 **RENEWAL** **SITE#:** 1

PERMIT#: 1050897

ADDRESS: 3848 N. Clark St.

ZIP CODE: 60613

CONTACT PERSON: Sombat Satjapot

TITLE: **PHONE:** (773)549-7777

Check box for change of mailing address. Provide information below

New Mailing Address: _____

Phone: _____

Contact: _____

Note: Any changes to ownership requires a new application.

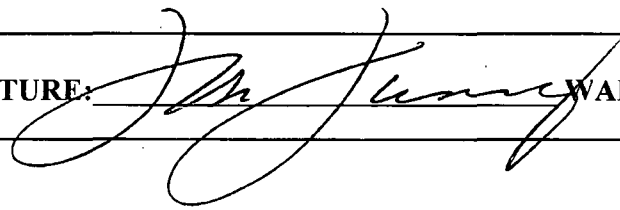
If no changes, complete applicant certification, obtain Alderman's signature, include photo(s) and sketch as described below. Return to:

City of Chicago
Department of Business Affairs and Consumer Protection
Business Assistance Center - Public Way Use Unit
City Hall - 121 N. LaSalle Street, Room 800
Chicago, IL 60602
(312)-74-GOBIZ (312-744-6249)

USE OF THE PUBLIC WAY

Type _____ **How Many?** _____ **Building Address** _____

Sign	1	3848 N. CLARK ST.
-------------	----------	--------------------------

ALDERMAN'S SIGNATURE:  **WARD:** 44 **DATE:** 7/11/11