



City of Chicago



O2016-5232

Office of the City Clerk

Document Tracking Sheet

Meeting Date:	6/22/2016
Sponsor(s):	Burnett (27)
Type:	Ordinance
Title:	Grant(s) of privilege in public way for Swift & Sons
Committee(s) Assignment:	Committee on Transportation and Public Way

ORDINANCE
SWIFT & SONS
Acct. No. 397036 - 1
Permit No. 1120618

Be It Ordained by the City Council of the City of Chicago:

SECTION 1. Permission and authority are hereby given and granted to SWIFT & SONS, upon the terms and subject to the conditions of this ordinance to maintain and use one (1) sign(s) projecting over the public right-of-way attached to its premises known as 1000 W. Fulton Market .

Said sign structure(s) measures as follows; along Fulton / Morgan:

One (1) at twenty-two point five (22.5) feet in length, one point seven five (1.75) feet in height and thirteen point five (13.5) feet above grade level.

The location of said privilege shall be as shown on prints kept on file with the Department of Business Affairs and Consumer Protection and the Office of the City Clerk.

Said privilege shall be constructed in accordance with plans and specifications approved by the Department of Transportation (Division of Project Development) and Zoning Department - Signs.


This grant of privilege in the public way shall be subject to the provisions of Section 10-28-015 and all other required provisions of the Municipal Code of Chicago.

The grantee shall pay to the City of Chicago as compensation for the privilege #1120618 herein granted the sum of three hundred (\$300.00) per annum in advance.

A 25% penalty will be added for payments received after due date.

The permit holder agrees to hold the City of Chicago harmless for any damage, relocation or replacement costs associated with damage, relocation or removal of private property caused by the City performing work in the public way.

Authority herein given and granted for a period of five (5) years from and after Date of Passage.

Alderman 
Walter Burnett Jr. 27th Ward



2333 N Seeley Ave
Chicago, IL 60647
Phone 773 930 4361
sam@rightway signs.com

PRINT #
SM-001

ALEX PERRY
REPRESENTATIVE

10/29/2015
DATE

SWIFT & SONS
CLIENT NAME

WALTER BURNETT
WARD 27
ADDRESS

1000 W. FULTON MARKET
CHICAGO, IL 60607
JOB LOCATION

SAM MCMORRIS
DRAWN BY

NOTES

THIS DRAWING IS THE PROPERTY
OF RIGHTWAY SIGNS, LLC

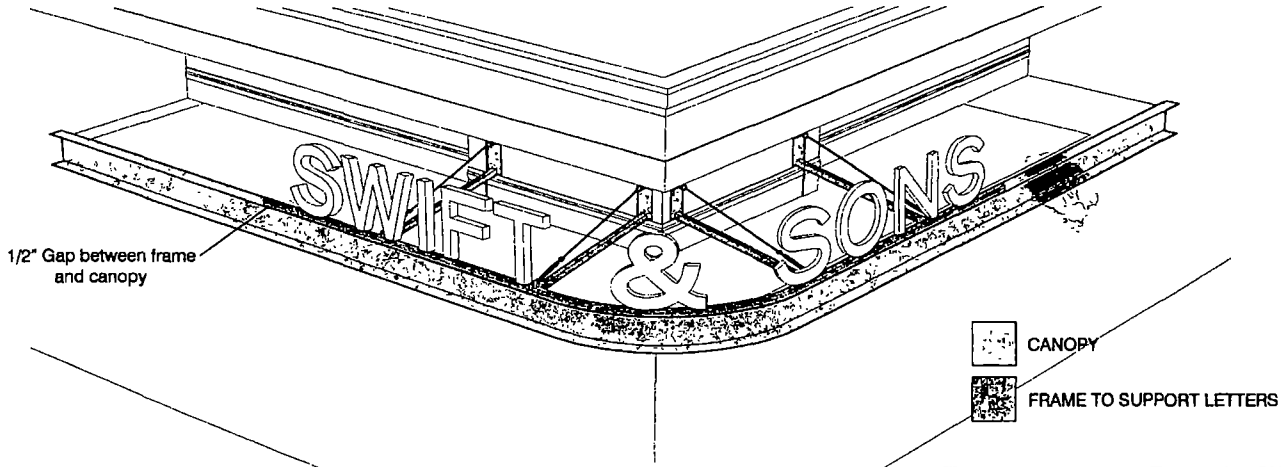
BY SIGNING THE CUSTOMER ACCEPTANCE ON THIS PRINT, I UNDERSTAND THAT I AM ACCEPTING ALL ASPECTS OF THIS DRAWING. THIS INCLUDES artwork, specifications, dimensions, spelling, and all other representations herein. I also understand that color representations on this print are approximate, and they may not match manufacturer's samples exactly.

269.6"

SWIFT & SONS

Render of channel letters with yellow neon
Return depth: 4"
Face Finish: 2025 Black SATIN
Return Finish: 2025 Black SATIN
Backs Required: Non-Removable 2BRaw Steel Back, 16 Gauge
Inside Cans Painted Cool Grey 1c for inside of can
Spacers None

Test Laboratory listing number UL file: UL2161 & CSA C22.2 NO. 255
Manufacturer: Right Way Signs
Sign Weight: 150 LBS
Volt-ampere load: 2) 12030 ma units that would draw 4.5 amps total
1 branch circuit required
Type of lamp: Neon
Total wattage: 450 Watts
Elevation of sign: South & East



CANOPY
FRAME TO SUPPORT LETTERS

By signing the Customer Acceptance on this print, I understand that I am accepting all aspects of this drawing. This includes artwork, specifications, dimensions, spelling, and all other representations herein. I also understand that color representations on this print are approximate, and they may not match manufacturer's samples exactly. Customer Acceptance SIGNATURE DATE APPROVED Landlord Acceptance SIGNATURE DATE RWS INITIALS DATE