



# City of Chicago



O2014-702

Office of the City Clerk

## Document Tracking Sheet

<b>Meeting Date:</b>	1/15/2014
<b>Sponsor(s):</b>	Solis (25)
<b>Type:</b>	Ordinance
<b>Title:</b>	Grant(s) of privilege in public way for Archer Building Lofts Condominium Association
<b>Committee(s) Assignment:</b>	Committee on Transportation and Public Way

ORDINANCE  
Archer Building Lofts Condominium Association  
Acct. No. 335777 - 1  
Permit No. 1109878

*Be It Ordained by the City Council of the City of Chicago:*

SECTION 1. Permission and authority are hereby given and granted to Archer Building Lofts Condominium Association, upon the terms and subject to the conditions of this ordinance to maintain and use, as now constructed, two (2) Siamese Connection(s) projecting over the public right-of-way adjacent to its premises known as 2310 S. Canal St..

Said Siamese Connection(s) at S Canal St. measure(s):

One (1) at point five (.5) feet in length, and point eight three (.83) feet in width for a total of point four two (.42) square feet.

Said Siamese Connection(s) at Archer Ave. measure(s):

One (1) at point five (.5) feet in length, and point eight three (.83) feet in width for a total of point four two (.42) square feet.

The location of said privilege shall be as shown on prints kept on file with the Department of Business Affairs and Consumer Protection and the Office of the City Clerk.

Said privilege shall be constructed in accordance with plans and specifications approved by the Department of Transportation (Division of Project Development).

This grant of privilege in the public way shall be subject to the provisions of Section 10-28-015 and all other required provisions of the Municipal Code of Chicago.

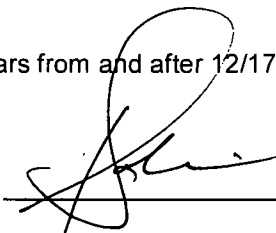
The grantee shall pay to the City of Chicago as compensation for the privilege #1109878 herein granted the sum of eight hundred (\$800.00) per annum in advance.

A 25% penalty will be added for payments received after due date.

The permit holder agrees to hold the City of Chicago harmless for any damage, relocation or replacement costs associated with damage, relocation or removal of private property caused by the City performing work in the public way.

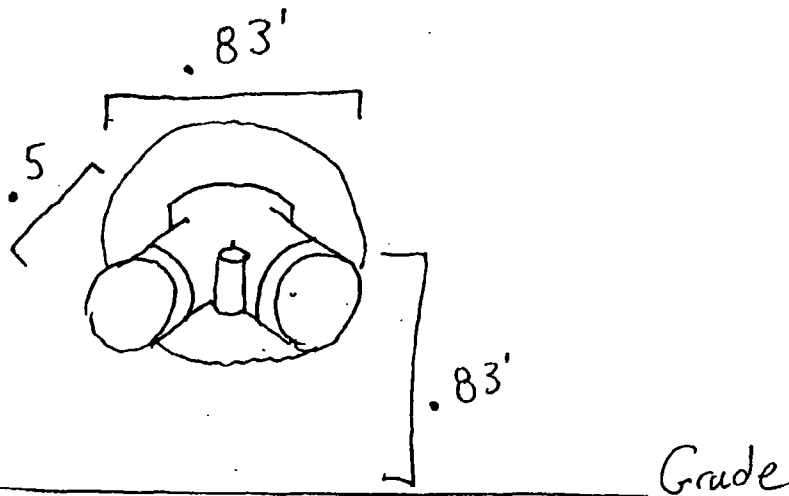
Authority herein given and granted for a period of five (5) years from and after 12/17/2013.

Alderman

  
\_\_\_\_\_

Daniel S. Solis 25th Ward

# APPLICATION TO USE THE PUBLIC RIGHT OF WAY





**01/15/2014**

Alderman **Daniel S. Solis**  
Ward # **25**  
City of Chicago  
City Hall, Room **203**  
121 North LaSalle Street  
Chicago, Illinois 60602

Re: An ordinance to use and maintain a portion of the public right-of-way for **two (2) siamese connection(s)** for **Archer Building Lofts Condominium Association**, adjacent to the premises known as **2310 S. Canal St.**

Dear Alderman **Daniel S. Solis**:

The applicant referenced above has requested the use of the public right-of-way for a **siamese connection(s)**. An ordinance has been prepared by the Department of Business Affairs and Consumer Protection – Small Business Center - Public Way Use Unit for presentation to the City Council. Because this request was made for properties located in your ward, as approved by you as per the attached, I respectfully request that you introduce the attached ordinance at the next City Council meeting.

If you have any questions regarding this ordinance, please contact Anthony Bertuca at (312) 744-5506.

**Department of Business Affairs and Consumer Protection**