



City of Chicago



O2016-220

Office of the City Clerk

Document Tracking Sheet

Meeting Date:	1/13/2016
Sponsor(s):	Hopkins (2)
Type:	Ordinance
Title:	Awning(s) for Goddess and Grocer, The
Committee(s) Assignment:	Committee on Transportation and Public Way

ORDINANCE
THE GODDESS AND GROCER
Acct. No. 268058 - 4
Permit No. 1116304

Be It Ordained by the City Council of the City of Chicago:

SECTION 1. Permission and authority are hereby given and granted to THE GODDESS AND GROCER, upon the terms and subject to the conditions of this ordinance to construct, install, maintain and use one (1) Awning(s) projecting over the public right-of-way adjacent to its premises known as 1649 N. Damen Ave..

Said Awning(s) at N. Damen Avenue measure(s):

One (1) at six (6) feet in length, and one point one seven (1.17) foot in width for a total of seven point zero two (7.02) square feet.

The location of said privilege shall be as shown on prints kept on file with the Department of Business Affairs and Consumer Protection and the Office of the City Clerk.

Said privilege shall be constructed in accordance with plans and specifications approved by the Zoning Department - Signs.

This grant of privilege in the public way shall be subject to the provisions of Section 10-28-015 and all other required provisions of the Municipal Code of Chicago.

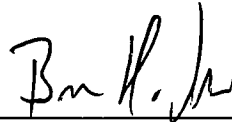
The grantee shall pay to the City of Chicago as compensation for the privilege #1116304 herein granted the sum of fifty (\$50.00) per annum in advance.

A 25% penalty will be added for payments received after due date.

The permit holder agrees to hold the City of Chicago harmless for any damage, relocation or replacement costs associated with damage, relocation or removal of private property caused by the City performing work in the public way.

Authority herein given and granted for a period of five (5) years from and after Date of Passage.

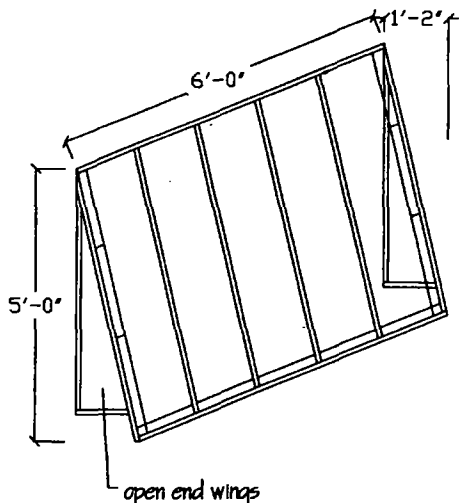
Alderman



Brian Hopkins 2nd Ward

Traditional style stationary awning with open end wings and no valance manufactured complete and installed on the front of the building. Frame made of 1" sq and 1/2" rd welded galvanized steel tubing, with welds ground, primed and painted black. Fabric attached by the lace-on method, using Sunbrella material #4608 Black.

- Lettering to be white color applied to roof area AS SHOWN.
- Please note awning to be 9'-0" off ground level



2801 Central St. Evanston, IL 60201
847-864-4520

By signing this drawing you are agreeing with the proportionate shape and sizes indicated, fabric color and pattern, and proportionate graphics for the awning you have contracted to purchase from E.A.C.. This image belongs to E.A.C. and cannot be reproduced or used for alternate purposes.

Sign as approved for manufacturing

Date

Job: Goddess and Grocer
1649 N. Damen Ave.
Chicago, IL. 60610
Contact: James Gray
Scale: 3/8" = 1'-0"
Date: 11-14-14



01/13/2016

Alderman **Brian Hopkins**
Ward # **02**
City of Chicago
City Hall, Room **200**
121 North LaSalle Street
Chicago, Illinois 60602

Re: An ordinance to use and maintain a portion of the public right-of-way for **one (1) awning(s)** for **THE GODDESS AND GROCER**, adjacent to the premises known as **1649 N. Damen Ave.**.

Dear Alderman **Brian Hopkins**:

The applicant referenced above has requested the use of the public right-of-way for a **awning(s)**. An ordinance has been prepared by the Department of Business Affairs and Consumer Protection – Small Business Center - Public Way Use Unit for presentation to the City Council. Because this request was made for properties located in your ward, as approved by you as per the attached, I respectfully request that you introduce the attached ordinance at the next City Council meeting.

If you have any questions regarding this ordinance, please contact Anthony Bertuca at (312) 744-5506.

Department of Business Affairs and Consumer Protection