



City of Chicago



O2019-9635

Office of the City Clerk

Document Tracking Sheet

Meeting Date:	12/18/2019
Sponsor(s):	Dowell (3)
Type:	Ordinance
Title:	Grant(s) of privilege in public way for Go! Grocer
Committee(s) Assignment:	Committee on Transportation and Public Way

ORDINANCE
GO! GROCER
Acct. No. 459755 - 1
Permit No. 1142893

Be It Ordained by the City Council of the City of Chicago:

SECTION 1. Permission and authority are hereby given and granted to GO! GROCER, upon the terms and subject to the conditions of this ordinance to maintain and use one (1) sign(s) projecting over the public right-of-way attached to its premises known as 1400 S. Michigan Ave..

Said sign structure(s) measures as follows; along S. MICHIGAN AVENUE:

One (1) at thirteen point four two (13.42) feet in length, three point seven five (3.75) feet in height and ten (10) feet above grade level.

The location of said privilege shall be as shown on prints kept on file with the Department of Business Affairs and Consumer Protection and the Office of the City Clerk.

Said privilege shall be constructed in accordance with plans and specifications approved by the Department of Transportation (Division of Project Development) and Zoning Department - Signs.

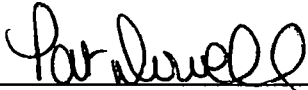
This grant of privilege in the public way shall be subject to the provisions of Section 10-28-015 and all other required provisions of the Municipal Code of Chicago.

The grantee shall pay to the City of Chicago as compensation for the privilege #1142893 herein granted the sum of three hundred (\$300.00) per annum in advance.

A 25% penalty will be added for payments received after due date.

The permit holder agrees to hold the City of Chicago harmless for any damage, relocation or replacement costs associated with damage, relocation or removal of private property caused by the City performing work in the public way.

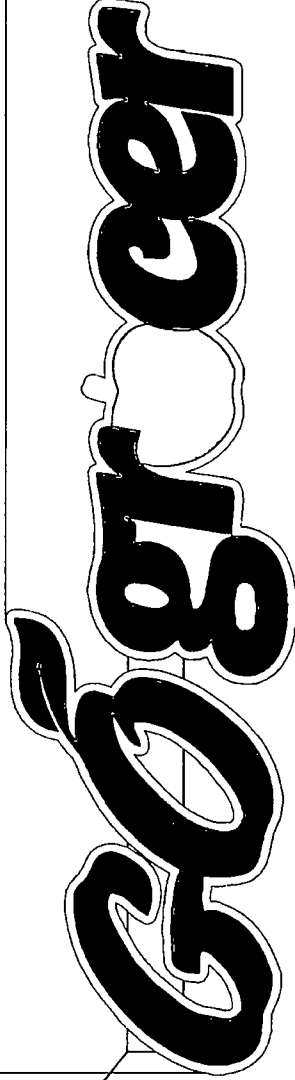
Authority herein given and granted for a period of five (5) years from and after Date of Passage.

Alderman  _____

Pat Dowell 3rd Ward

161 72

NEW RACEWAY NEEDS TO BE FABRICATED



A Front-Lit, Plex-Face Channel Letters w/ LED, Raceway Mounted

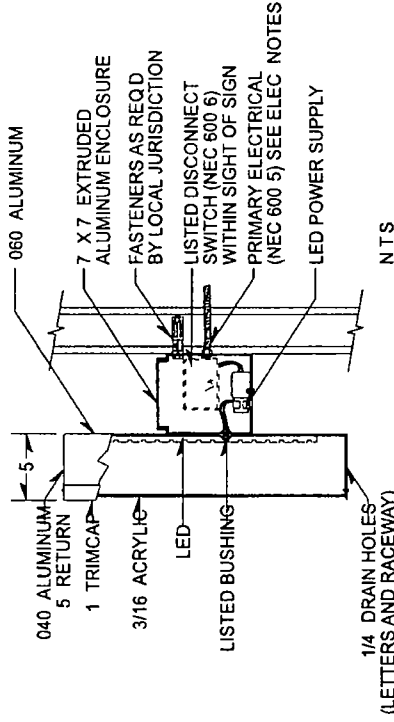
INTERNALLY ILLUMINATED PLASTIC FACE CHANNEL LETTERS

QUANTITY	ONE (1)
Overall Height	43 41
Overall Length	161 72
Total Sq Ft	47 75ft ²
Returns	040 x 5 3 Aluminum Coil Black
Backs	063 Aluminum
Trimcap	BLACK
Face	#2447
Raceway Illumination	*SITE SURVEY NEEDED FOR RACEWAY COLOR* LED White

NOTES

WHITE interiors for increased illumination
All paint two stage automotive acrylic

CHANNEL LETTER - TYPICAL SECTION - FRONT-LIT PLASTIC FACE



ELECTRICAL NOTES

- 1. Sign Company DOES NOT provide primary electrical to sign. Power to the sign must be done by a licensed electrical contractor or licensed electrician. Each sign must have: A minimum of one dedicated 120V 20A circuit
- 2. Junction box installed within 6 feet of sign
- 3. Three wires: Line, Ground, Neutral



5500 N. Kedzie Ave Chicago IL 60625
773 267 6007 | sales@tfasigns.com

Client Name
Go Grocer
Location
1400 S Michigan Ave
Chicago IL

Start Date 07/19/2019
Last Revision 08/06/2019
Job# 00000
Drawing# 00000a v1 s1 / e1
Page 2 of 6

- Client Approval
- Landlord Approval

Sales Rep
Seung Park
Designer
Dante Bridges





12/18/2019

Alderman **Pat Dowell**
Ward # **03**
City of Chicago
City Hall, Room **200**
121 North LaSalle Street
Chicago, Illinois 60602

Re: An ordinance to use and maintain a portion of the public right-of-way for **one (1) sign(s) for GO! GROCER**, adjacent to the premises known as **1400 S. Michigan Ave.**.

Dear Alderman **Pat Dowell**:

The applicant referenced above has requested the use of the public right-of-way for a **sign(s)**. An ordinance has been prepared by the Department of Business Affairs and Consumer Protection – Small Business Center - Public Way Use Unit for presentation to the City Council. Because this request was made for properties located in your ward, as approved by you as per the attached, I respectfully request that you introduce the attached ordinance at the next City Council meeting.

If you have any questions regarding this ordinance, please contact Anthony Bertuca at (312) 744-5506.

Department of Business Affairs and Consumer Protection