



Office of the Chicago City  
Clerk



O2012-2882

Office of the City Clerk

City Council Document Tracking Sheet

<b>Meeting Date:</b>	4/24/2012
<b>Sponsor(s):</b>	Tunney, Thomas (44)
<b>Type:</b>	Ordinance
<b>Title:</b>	Grant(s) of privilege in public way for Argo Tea
<b>Committee(s) Assignment:</b>	Committee on Transportation and Public Way

ORDINANCE  
ARGO TEA  
Acct. No. 307085 - 1  
Permit No. 1100680

*Be It Ordained by the City Council of the City of Chicago:*

SECTION 1. Permission and authority are hereby given and granted to ARGO TEA, upon the terms and subject to the conditions of this ordinance to maintain and use one (1) sign(s) projecting over the public right-of-way attached to its premises known as 3135 N. Broadway .

Said sign structure(s) measures as follows; along N. BROADWAY:

One (1) at two point six (2.6) feet in length, ten (10) feet in height and eleven point five (11.5) feet above grade level.

The location of said privilege shall be as shown on prints kept on file with the Department of Business Affairs and Consumer Protection and the Office of the City Clerk.

Said privilege shall be constructed in accordance with plans and specifications approved by the Department of Transportation (Division of Project Development) and Zoning Department - Signs.

This grant of privilege in the public way shall be subject to the provisions of Section 10-28-015 and all other required provisions of the Municipal Code of Chicago.

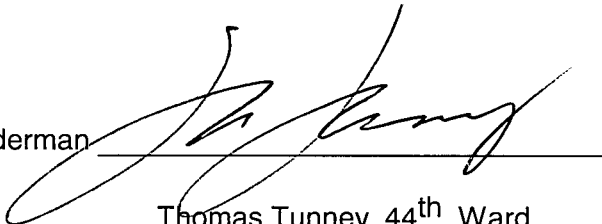
The grantee shall pay to the City of Chicago as compensation for the privilege #1100680 herein granted the sum of three hundred (\$300.00) per annum in advance.

A 25% penalty will be added for payments received after due date.

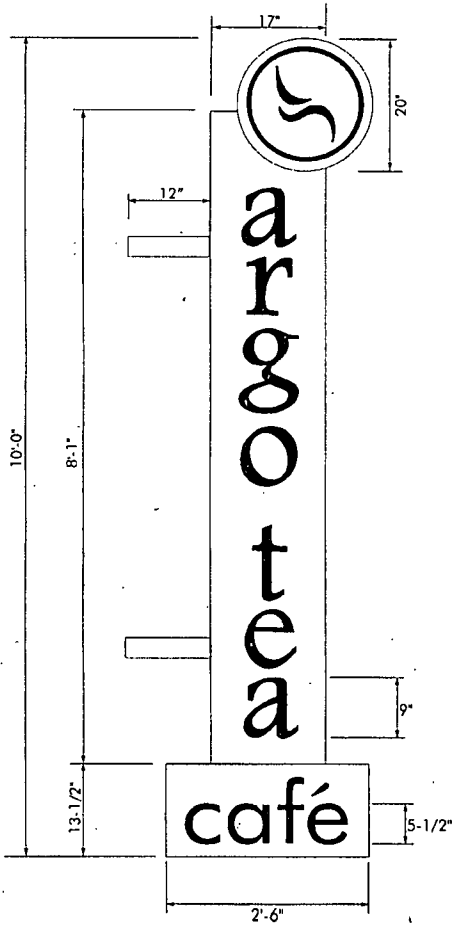
The permit holder agrees to hold the City of Chicago harmless for any damage, relocation or replacement costs associated with damage, relocation or removal of private property caused by the City performing work in the public way.

Authority herein given and granted for a period of five (5) years from and after 11/15/2011.

Alderman

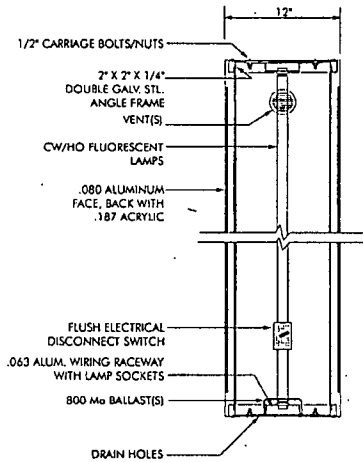


Thomas Tunney 44<sup>th</sup> Ward



**SIGN DETAIL**  
3/4" = 1'-0" SCALE

**DOUBLE FACED INTERNALLY ILLUMINATED CABINET**

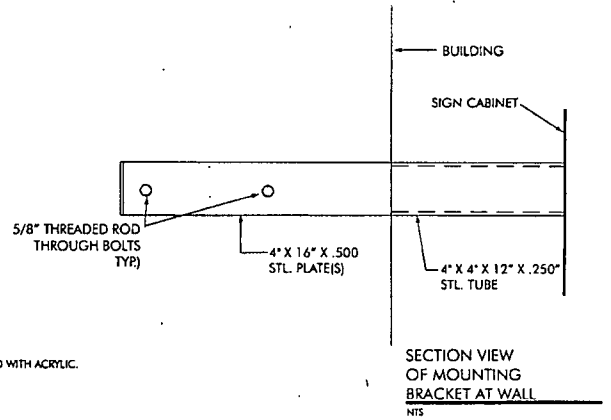
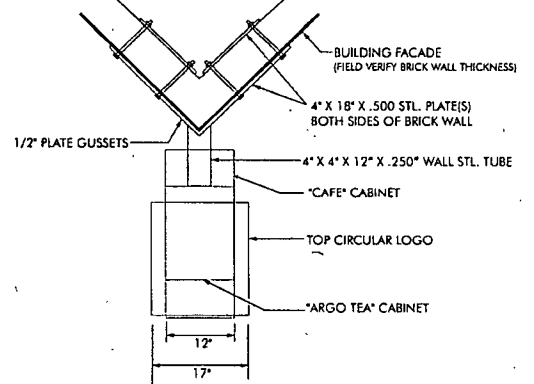


(1) DOUBLE FACED, INTERNALLY ILLUMINATED WALL CABINET WITH ROUTED-OUT TEXT & LOGO, BACKED WITH ACRYLIC.

CABINET = SATIN BLACK  
FACE = SATIN BLACK BACKGROUND,  
PMS 3985 GREEN TEXT & LOGO.

<b>RYAN'S ELECTRIC INC.</b>	<b>DATE:</b> 1-20
111 31st ST SE, SUITE 100 MINNETONKA, MN 55345 TEL: 952-895-1234 WWW.RYANSELECTRIC.COM	<b>PROJECT:</b> 1-22 AMP

**OVERHEAD VIEW OF MOUNTING BRACKET**



**SECTION VIEW OF MOUNTING BRACKET AT WALL**  
NTS



04/18/2012

Alderman **Thomas Tunney**  
Ward # **44**  
City of Chicago  
City Hall, Room **203**  
121 North LaSalle Street  
Chicago, Illinois 60602

Re: An ordinance to use and maintain a portion of the public right-of-way for **one (1) sign(s)** for **ARGO TEA**, adjacent to the premises known as **3135 N. Broadway** .

Dear Alderman **Thomas Tunney**:

The applicant referenced above has requested the use of the public right-of-way for a **sign(s)**. An ordinance has been prepared by the Department of Business Affairs and Consumer Protection – Business Assistance Center - Public Way Use Unit for presentation to the City Council. Because this request was made for properties located in your ward, as approved by you as per the attached, I respectfully request that you introduce the attached ordinance at the next City Council meeting.

If you have any questions regarding this ordinance, please contact Anthony Bertuca at (312) 744-5506.

**Department of Business Affairs and Consumer Protection**