



City of Chicago



O2020-6115

Office of the City Clerk

Document Tracking Sheet

Meeting Date:	12/16/2020
Sponsor(s):	Reilly (42)
Type:	Ordinance
Title:	Grant(s) of privilege in public way for State & Washington Owner LLC
Committee(s) Assignment:	Committee on Transportation and Public Way

ORDINANCE
STATE & WASHINGTON OWNER LLC
Acct. No. 394278 - 6
Permit No. 1142421

Be It Ordained by the City Council of the City of Chicago:

SECTION 1. Permission and authority are hereby given and granted to STATE & WASHINGTON OWNER LLC, upon the terms and subject to the conditions of this ordinance to maintain and use one (1) sign(s) projecting over the public right-of-way attached to its premises known as 22 N. State St..

Said sign structure(s) measures as follows; along N STATE ST:
One (1) at five point six seven (5.67) feet in length, two point five (2.5) feet in height and fifteen (15) feet above grade level.

The location of said privilege shall be as shown on prints kept on file with the Department of Business Affairs and Consumer Protection and the Office of the City Clerk.

Said privilege shall be constructed in accordance with plans and specifications approved by the Department of Transportation (Division of Project Development) and Zoning Department - Signs.

This grant of privilege in the public way shall be subject to the provisions of Section 10-28-015 and all other required provisions of the Municipal Code of Chicago.

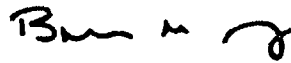
The grantee shall pay to the City of Chicago as compensation for the privilege #1142421 herein granted the sum of one hundred (\$100.00) per annum in advance.

A 25% penalty will be added for payments received after due date.

The permit holder agrees to hold the City of Chicago harmless for any damage, relocation or replacement costs associated with damage, relocation or removal of private property caused by the City performing work in the public way.

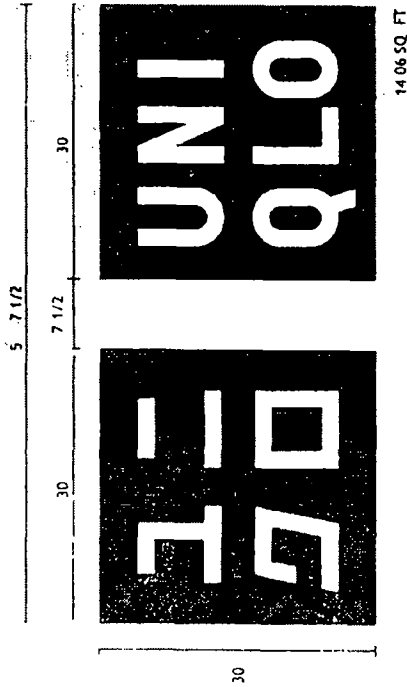
Authority herein given and granted for a period of five (5) years from and after Date of Passage.

Alderman



Brendan Reilly 42nd Ward

A ILLUMINATED SIGN PANEL ELEVATION
Scale 1 1/2" = 1'-0"

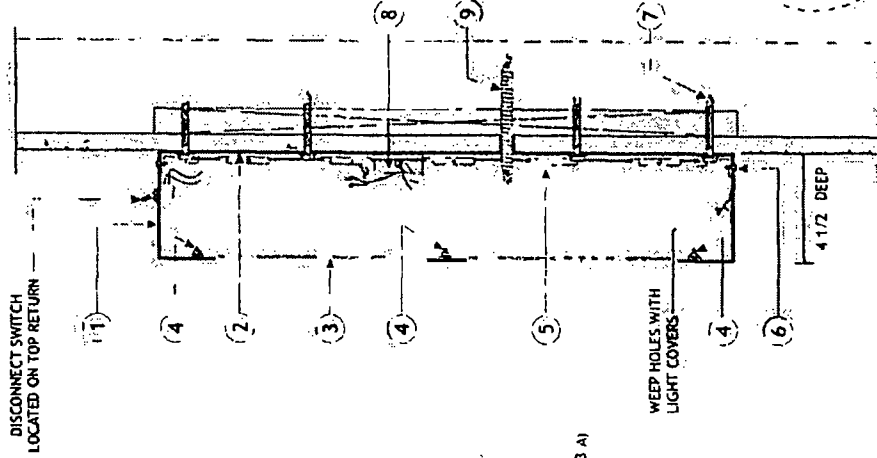


30 MODULES PER SQUARE 60 MODULES TOTAL
(1) POWER SUPPLY REQUIRED

B SIGN DETAILS

1. 4 1/2" DEEP ALUMINUM RETURNS WELDED TO ROUTED ALUMINUM FACE ALL PAINTED HIGH GLOSS RED (G2 1111-479863 A)
2. 690 ROUTED ALUMINUM BACK WITH 3/4" ANGLE WELDED AROUND PERIMETER ANGLE AND BACK INTERIOR PAINTED HIGH GLOSS WHITE EXTERIOR SURFACES PAINTED HIGH GLOSS RED (G2 1111-479863 A)
3. 1/8" THICK IMPACT MODIFIED #7328 WHITE ACRYLIC BACKER PANEL
4. BACKER PANEL SECURED TO BACK OF FACE WITH POP WELDED STUDS AND M7 NUTS
5. BITRO OPTICSPRO LITL 6500K WHITE LED UNITS
6. FABRICATED RETURNS WILL FIT OVER BACK AND SECURE WITH #4 PAN HEAD SCREWS THRU RETURNS
7. SIGN IS MOUNTED FLUSH TO WALL WITH COARSE THREADED FASTENERS INTO BLOCKING BY OTHERS
8. BITRO ULTRA SLIM 1.1 60W POWER SUPPLY (U16 60 17T) CONTAINED INSIDE SIGN
PRIMARY ELECTRICAL WHIP BY OTHERS TO EXIT WALL WILL BE PULLED INTO SIGN AND CONNECTED TO POWER SUPPLY

C ILLUMINATED SIGN PANEL SECTION
Scale N.T.S.



DEDICATED PRIMARY SIGN CIRCUIT AND DISCONNECT PROVIDED BY ELECTRICIAN

UQ CB30

Ruggles SIGN
93 Industry Drive
PO Box 349
Versailles KY 40383
859 879 1199

UL **QLO**

Store 108
Space 22
22 NORTH STATE ST
CHICAGO IL 60602

IN 1996 we were the first to use a...
UL US UL Label located on top of sign

REVISIONS

1	03/29/19	r7
2	04/11/19	r8
3	07/15/19	r9
4	07/23/19	r10
5	08/05/19	r11
6	09/13/19	r12

PAGE 7



Department of Business Affairs and Consumer Protection
Small Business Center - Public Way Use Unit
City Hall - 121 N. LaSalle Street, Room 800 • Chicago, IL 60602
312-74-GOBIZ / 312-744-6249 • (312) 744-1944 (TTY)
<http://www.cityofchicago.org/bacp>

12/16/2020

Alderman **Brendan Reilly**
Ward # 42
City of Chicago
City Hall, Room 300
121 North LaSalle Street
Chicago, Illinois 60602

Re: An ordinance to use and maintain a portion of the public right-of-way for **one (1) sign(s)** for **STATE & WASHINGTON OWNER LLC**, adjacent to the premises known as **22 N. State St.**

Dear Alderman **Brendan Reilly**:

The applicant referenced above has requested the use of the public right-of-way for a **sign(s)**. An ordinance has been prepared by the Department of Business Affairs and Consumer Protection – Small Business Center - Public Way Use Unit for presentation to the City Council. Because this request was made for properties located in your ward, as approved by you as per the attached, I respectfully request that you introduce the attached ordinance at the next City Council meeting.

If you have any questions regarding this ordinance, please contact Anthony Bertuca at (312) 744-5506.

Department of Business Affairs and Consumer Protection