



City of Chicago



O2016-3243

Office of the City Clerk

Document Tracking Sheet

Meeting Date:	4/13/2016
Sponsor(s):	Reilly (42)
Type:	Ordinance
Title:	Grant(s) of privilege in public way for Zeller 401 Property LLC - exterior mount (wi-fi fixture)
Committee(s) Assignment:	Committee on Transportation and Public Way

ORDINANCE
ZELLER 401 PROPERTY, LLC.
Acct. No. 333725 - 1
Permit No. 1122690

Be It Ordained by the City Council of the City of Chicago:

SECTION 1. Permission and authority are hereby given and granted to ZELLER 401 PROPERTY, LLC., upon the terms and subject to the conditions of this ordinance to construct, install, maintain and use one (1) Exterior mount (WI-FI FIXTURE) under the public right-of-way adjacent to its premises known as 401 N. Michigan Ave..

Said Exterior mount (WI-FI fixture) at N. Michigan Avenue measure(s):

One (1) at one (1) foot in length, and one (1) foot in width for a total of one (1) square feet. Said wi-fi fixture shall be located on a vertical wall in the public way adjacent to the cascading stairs approximately fifty-seven (57) feet in depth.

The location of said privilege shall be as shown on prints kept on file with the Department of Business Affairs and Consumer Protection and the Office of the City Clerk.

Said privilege shall be constructed in accordance with plans and specifications approved by the Department of Transportation (Division of Project Development).

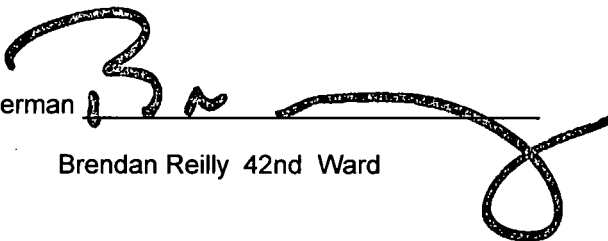
This grant of privilege in the public way shall be subject to the provisions of Section 10-28-015 and all other required provisions of the Municipal Code of Chicago.

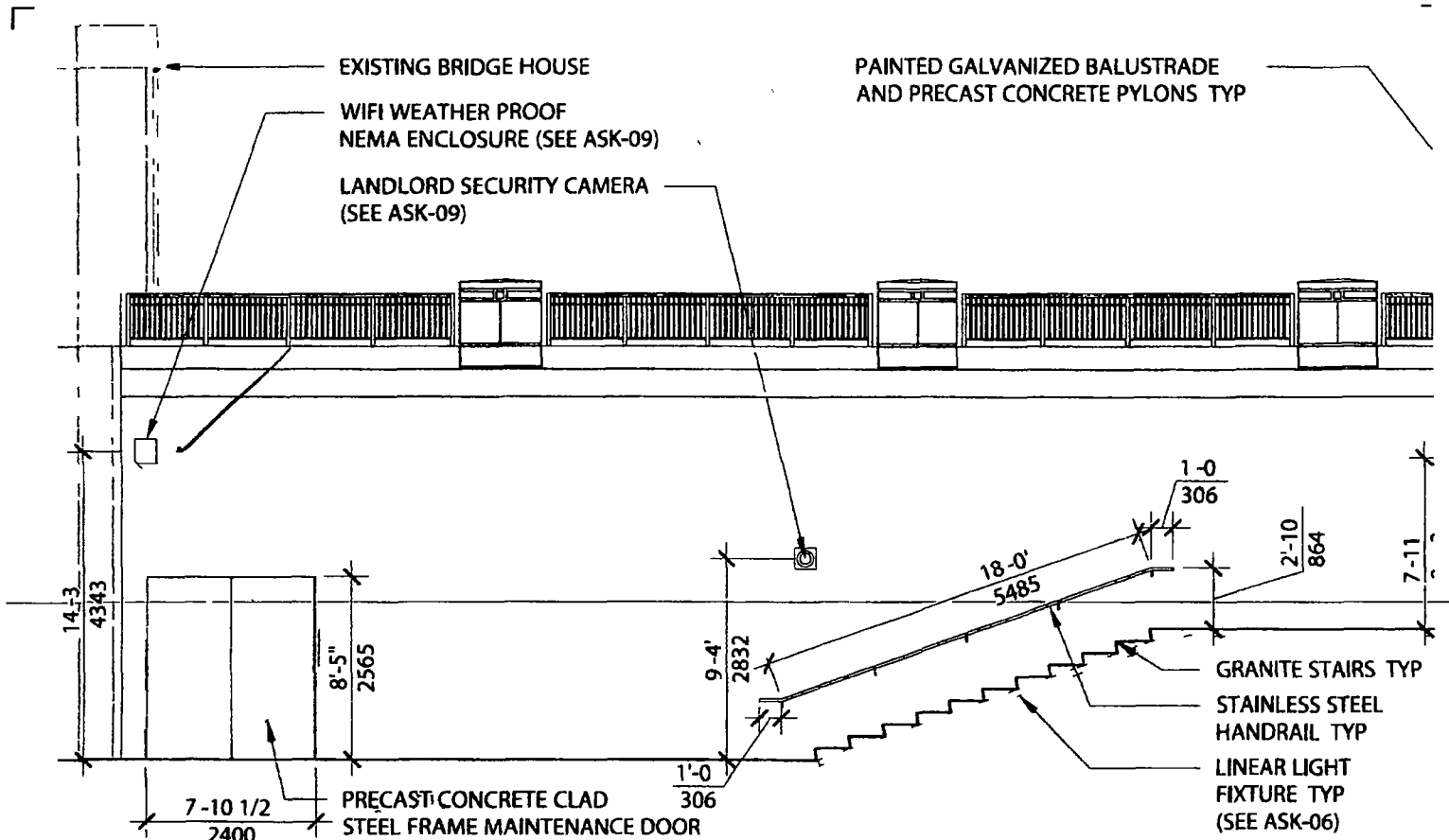
The grantee shall pay to the City of Chicago as compensation for the privilege #1122690 herein granted the sum of seventy-five (\$75.00) per annum in advance.

A 25% penalty will be added for payments received after due date.

The permit holder agrees to hold the City of Chicago harmless for any damage, relocation or replacement costs associated with damage, relocation or removal of private property caused by the City performing work in the public way.

Authority herein given and granted for a period of five (5) years from and after Date of Passage.

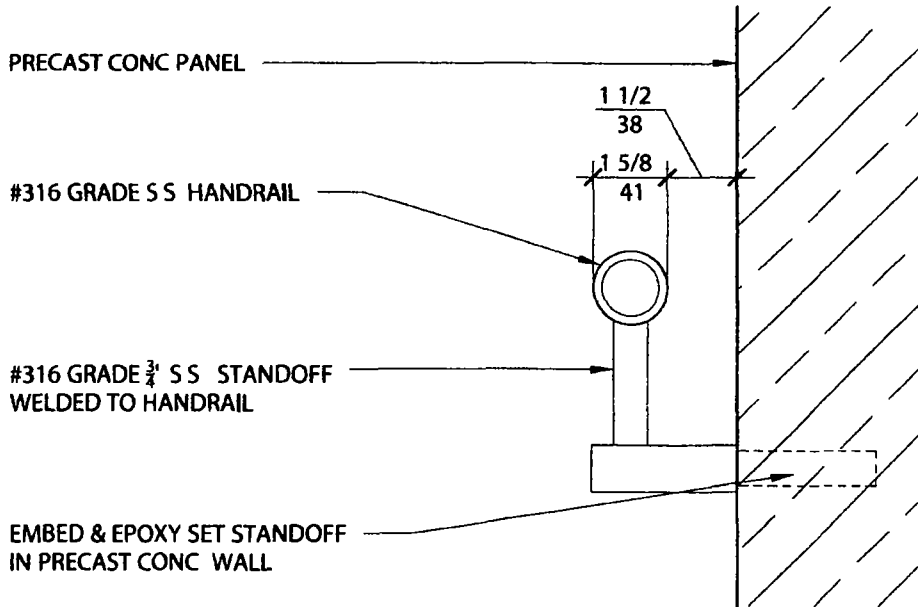
Alderman 
Brendan Reilly 42nd Ward



1

WEST WALL ELEVATION

1/8 = 1-0



13

HANDRAIL DETAIL @ PRECAST CONCRETE WALL TYP.

3 = 1-0