



Office of Chicago City Clerk



Or2011-349

Office of the City Clerk

City Council Document Tracking Sheet

Meeting Date:	4/13/2011
Sponsor(s):	Doherty, Brian (41)
Type:	Order
Title:	Issuance of Permit(s) for Sign(s)/Signboard(s) at 11601 W Touhy Ave
Committee(s) Assignment:	Committee on Buildings

(signs)

ORDERED, That the Commissioner of Buildings is hereby directed to issue a sign permit to: (Contractor's name and address)

Sure Light Sign Company
1225 Bowes Road
Elgin IL 60123

for the erection of a sign/signboard over 24 feet in height and/or over 100 square feet (in area of one face) at: (Business NAME & ADDRESS)

FedEx (south Elevation) (sign #4)
11601 W. Touhy Ave. Bldg. #632
Chicago IL 60666

Dimensions: length 34' height 10'

height above grade/roof to top of sign 46' 4"

TOTAL SQUARE FOOT AREA 340

Such sign(s) shall comply with all applicable provisions of TITLE 17 of the Chicago Zoning Ordinance and all other applicable provisions of the Municipal Code of the City of Chicago governing the construction and maintenance of outdoor signs, signboards and structures.

Brian Doherty

Alderman, Ward 41
Doherty

PROPOSED PLACEMENT

4



SORT BUILDING - SOUTH ELEVATION
SCALE: N.T.S.



1225 Bowes Road
Elgin, Illinois 60123-5542
Phone: 847.214.9595
Fax: 847.214.9596
www.surelightsign.com

Exceeding Expectations One Sign at a Time

Design	Aluminum	Weathering Type
Site/Location	Concrete	Non-Weathering
Medium of	Fluorescent	LED Signs
Material	Aluminum	Steel
Maintenance & Repair	Easy to Maintain	Paint & Powder Coating
Finishing	Color Coating	Fluorescent Backlighting
Lighting	Fluorescent	LED Backlighting
Project Management	Professional Installation	Professional Maintenance

Quality Signs Since 1977

PROJECT / LOCATION:



VELOCITY - FEDEX
11601 W. TOUHY
CHICAGO, IL 60666

ACCOUNT REP: GAYLE MILLER

PROJECT MANAGER: DAN SMITH

DRAWN BY: BILL MARLOW

Underwriters Laboratories Inc. NEMA
ELECTRICAL TO USE ONLY LISTED COMPONENTS AND SHALL MEET ALL N.E.C. STANDARDS.
ALL ELECTRICAL SHALL BE TO THE COMPANY'S SPECIFICATIONS AND SHALL BE APPROVED BY THE COMPANY'S ELECTRICAL ENGINEER.

DATE: 01.14.11

SCALE: H.T.S.

SHEET #: 4 of 5

DESIGN ORDER #: 11-1859

FILE NAME: FDX11-1859

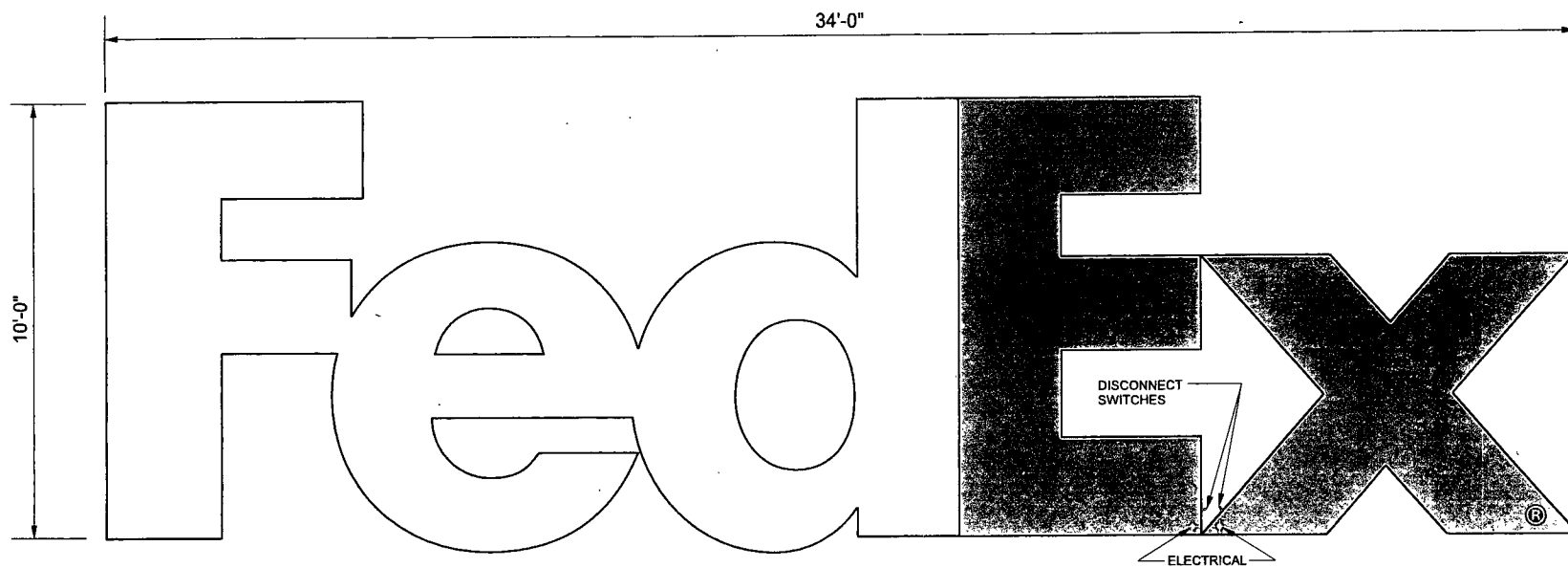
REVISIONS:

Colors Depicted in This Rendering May Not Match Actual Finished Materials. Refer to Product Samples For Exact Color Match

CLIENT APPROVAL/DATE:

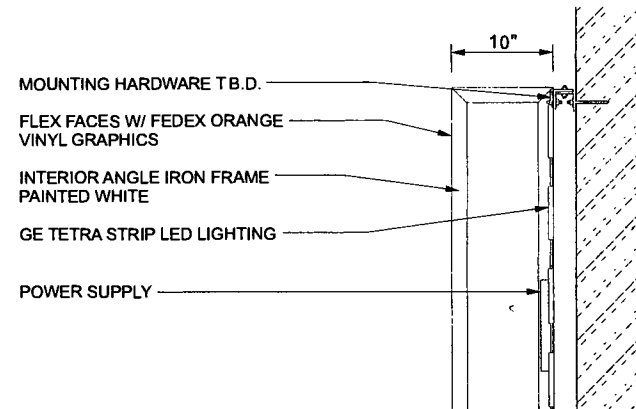
LANDLORD APPROVAL/DATE:

This original drawing is provided as part of a planned project and is not to be exhibited, copied or reproduced without the written permission of Sure Light Sign Company or its authorized agent.
© 2011



FRONT ELEVATION

SCALE : 3/8" = 1'-0"



SIDE VIEW - TYPICAL

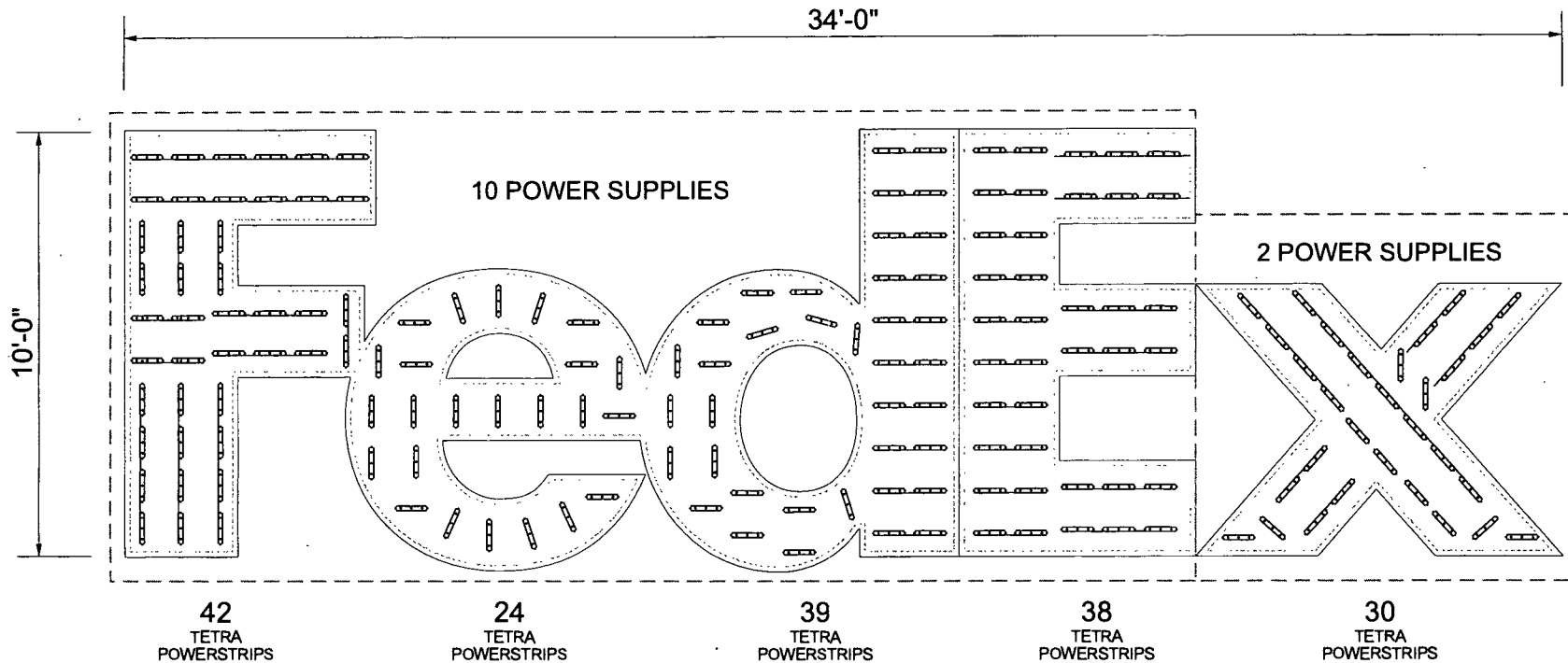
SCALE : N.T.S.

1 - 20 AMP CIRCUIT - 120V
 ELECTRICAL = 10.2 AMPS PER SET
 ELECTRICAL CONTRACTOR TO PROVIDE JUNCTION BOX ON INTERIOR SIDE OF WALL

PREPARED BY  Branding for Business	PROJECT MANAGER TIM WALKER	DATE 2.17.10	PREPARED FOR 	LOCATION	STORE NUMBER/CODE	<small>This is an original unpublished drawing created by Velocity, Inc. for your personal use in connection with the project being planned for you by Velocity, Inc. It is not to be shown to anyone outside your organization, nor is it to be used, reproduced, copied or exhibited in any fashion whatsoever. All or parts of this design (with exception to registered trademarks) remain the property of Velocity, Inc.</small>
	PHONE 662.449.4026 x 25	SCALE AS NOTED		PAGE 1 OF 1	DRAWING NAME FEDEX 10 FT LETTERS	

100372517

340 #
 South Elevation
 CINA



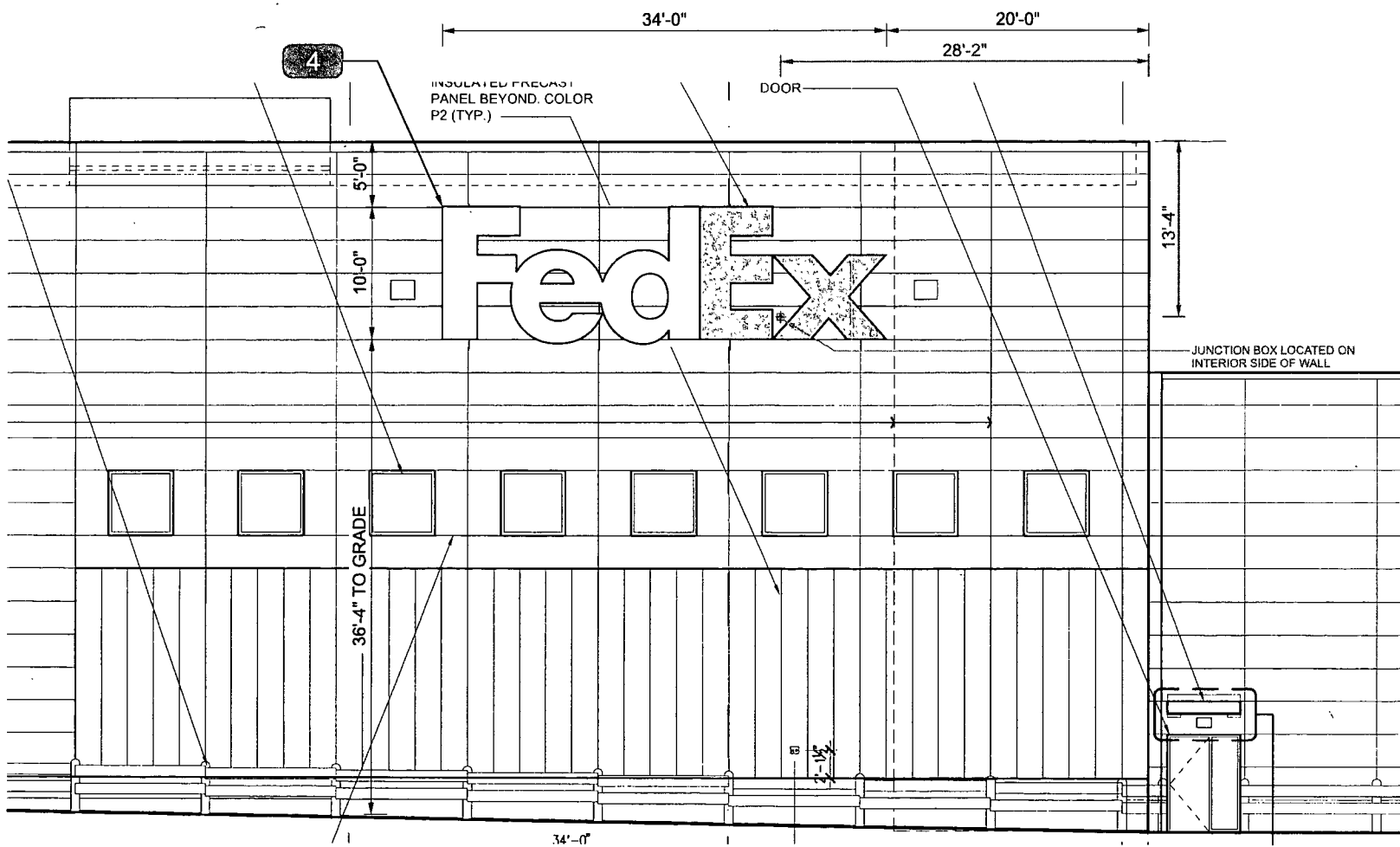
ELECTRICAL COMPONENTS	
SKU	DESCRIPTION
GEWHSP3-65K	TETRA POWER STRIP 6500K
GEPS12-60	POWER SUPPLY (12 VDC /60W), INPUT VOLTAGE: 90-264 VAC W/ MAXIMUM LOAD OF 16 MODULES PER POWER SUPPLY

TOTAL AMOUNT OF TETRA POWERSTRIPS = 173
 TOTAL AMOUNT OF POWER SUPPLIES = 12
 12 POWER SUPPLIES AT .85 AMPS EACH = 10.2 TOTAL AMPS
 1 - 20 AMP CIRCUIT - 120V

PREPARED BY Branding for Business.	PROJECT MANAGER	DATE	PREPARED FOR 	LOCATION	STORE NUMBER/CODE	<small>This is an original unpublished drawing created by Velocity, Inc. for your personal use in connection with the project being planned for you by Velocity, Inc. It is not to be shown to anyone outside your organization, nor is it to be used, reproduced, copied or exhibited in any fashion whatsoever. All or parts of this design (with exception to registered trademarks) remain the property of Velocity, Inc.</small>
	TIM WALKER	10.21.10		DRAWING NAME	APPROVED	
	PHONE	SCALE		FEDEX 10 FT LETTERS ELECTRICAL		
	662.449.4026 x 25	3/8" = 1'				
		PAGE				
		1 OF 1				

South Elevation - Sign 4

100372517



SORT BUILDING - SOUTH ELEVATION
 SCALE: 1/8" = 1'-0"

FedEx O'Hare Airport
 11601 W Touhy,
 Building #631
 Chicago, IL 60666

Recommendation Drawing

DRAWING NAME
 FEDEX OHARE AIRPORT
 REC DOC 1

PREPARED BY

velocity Inc.

Branding for Business.

This is an original unpublished drawing created by Velocity, Inc. for your personal use in connection with the project being planned for you by Velocity, Inc.. It is not to be shown to anyone outside your organization, nor is it to be used, reproduced, copied or exhibited in any fashion whatsoever. All or parts of this design (with exception to registered trademarks) remain the property of Velocity, Inc.

1 - 20 AMP CIRCUIT - 120V
 ELECTRICAL = 13.2 AMPS PER SET
 ELECTRICAL CONTRACTOR TO PROVIDE JUNCTION BOX ON INTERIOR SIDE OF WALL

LENGTH OF BUILDING = 244 FT.

Sign # 4