



Office of the City Clerk



O2013-112

Office of the City Clerk

City Council Document Tracking Sheet

Meeting Date:	1/17/2013
Sponsor(s):	Fioretti, Bob (2)
Type:	Ordinance
Title:	Grant(s) of privilege in public way for DePaul University
Committee(s) Assignment:	Committee on Transportation and Public Way

ORDINANCE
DE PAUL UNIVERSITY
Acct. No. 88297 - 5
Permit No. 1103887

Be It Ordained by the City Council of the City of Chicago:

SECTION 1. Permission and authority are hereby given and granted to DE PAUL UNIVERSITY, upon the terms and subject to the conditions of this ordinance to maintain and use, as now constructed, one (1) Fire Escape(s) projecting over the public right-of-way adjacent to its premises known as 25 E. Jackson Blvd..

Said Fire Escape(s) at public alley measure(s):

One (1) at twenty-one point six (21.6) feet in length, and six (6) feet in width for a total of one hundred twenty-nine point six (129.6) square feet.

The location of said privilege shall be as shown on prints kept on file with the Department of Business Affairs and Consumer Protection and the Office of the City Clerk.

Said privilege shall be constructed in accordance with plans and specifications approved by the Department of Transportation (Division of Project Development).

This grant of privilege in the public way shall be subject to the provisions of Section 10-28-015 and all other required provisions of the Municipal Code of Chicago.

The grantee shall pay to the City of Chicago as compensation for the privilege #1103887 herein granted the sum of four hundred (\$400.00) per annum in advance.

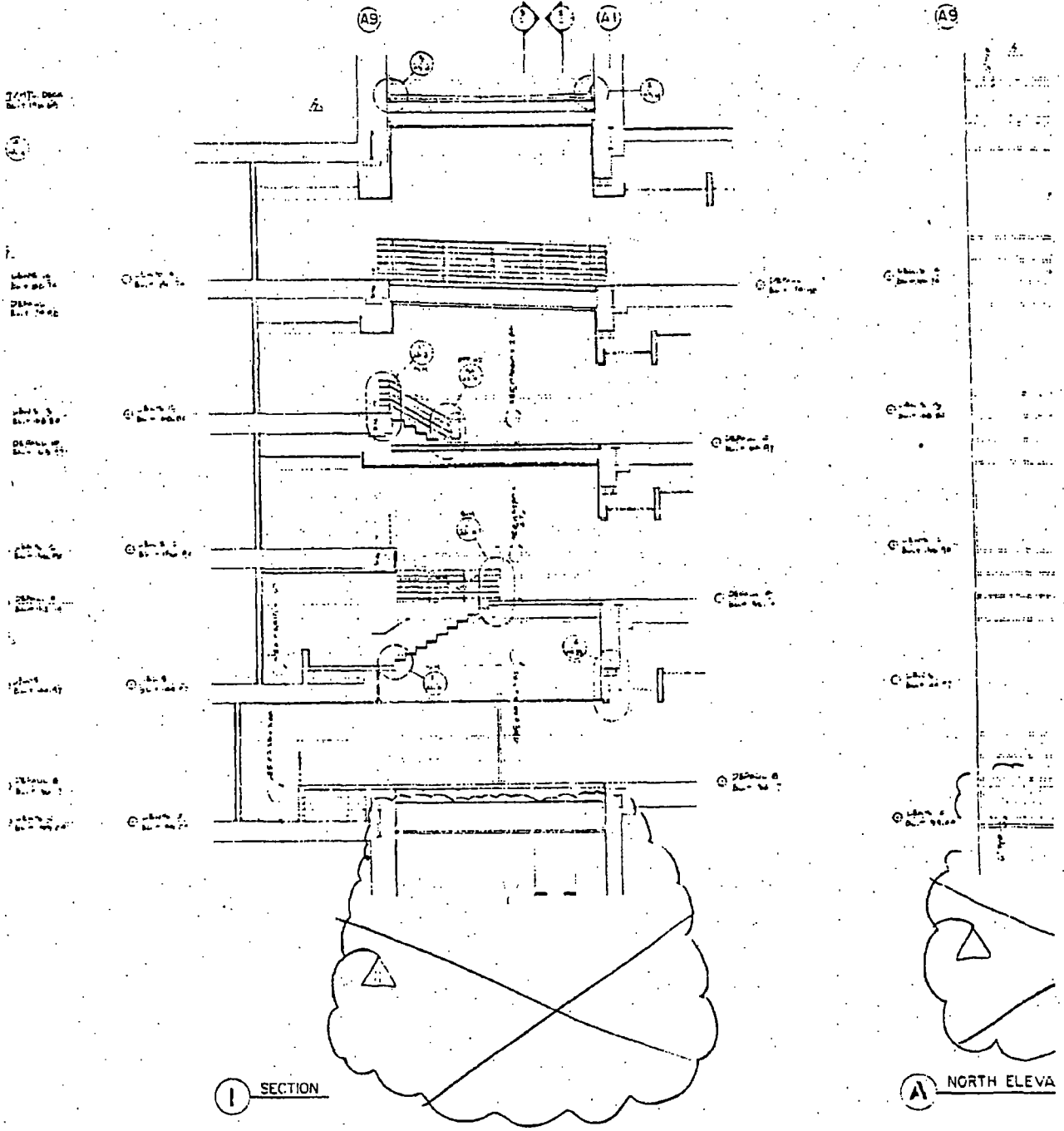
A 25% penalty will be added for payments received after due date.

The permit holder agrees to hold the City of Chicago harmless for any damage, relocation or replacement costs associated with damage, relocation or removal of private property caused by the City performing work in the public way.

Authority herein given and granted for a period of five (5) years from and after 12/09/2012.

Alderman

Bob Fioretti 2nd Ward





Department of Business Affairs and Consumer Protection
Business Assistance Center - Public Way Use Unit
City Hall - 121 N. LaSalle Street, Room 800 • Chicago, IL 60602
(312)-74-GOBIZ. (312)-744-6249 • (312) 744-1944 (TTY)
<http://www.cityofchicago.org/bacp>

01/17/2013

Alderman **Bob Fioretti**
Ward # **02**
City of Chicago
City Hall, Room **300**
121 North LaSalle Street
Chicago, Illinois 60602

Re: An ordinance to use and maintain a portion of the public right-of-way for **one (1) fire escape(s)** for **DE PAUL UNIVERSITY**, adjacent to the premises known as **25 E. Jackson Blvd.**

Dear Alderman **Bob Fioretti**:

The applicant referenced above has requested the use of the public right-of-way for a **fire escape(s)**. An ordinance has been prepared by the Department of Business Affairs and Consumer Protection – Business Assistance Center - Public Way Use Unit for presentation to the City Council. Because this request was made for properties located in your ward, as approved by you as per the attached, I respectfully request that you introduce the attached ordinance at the next City Council meeting.

If you have any questions regarding this ordinance, please contact Anthony Bertuca at (312) 744-5506.

Department of Business Affairs and Consumer Protection