



City of Chicago



O2014-7813

Office of the City Clerk

Document Tracking Sheet

Meeting Date:	9/10/2014
Sponsor(s):	Tunney (44)
Type:	Ordinance
Title:	Grant(s) of privilege in public way for Q-BBQ Lakeview
Committee(s) Assignment:	Committee on Transportation and Public Way

ORDINANCE
Q-BBQ LAKEVIEW
Acct. No. 381734 - 1
Permit No. 1114311

Be It Ordained by the City Council of the City of Chicago:

SECTION 1. Permission and authority are hereby given and granted to Q-BBQ LAKEVIEW, upon the terms and subject to the conditions of this ordinance to maintain and use, as now constructed, four (4) Light Fixture(s) projecting over the public right-of-way adjacent to its premises known as 714 W. Diversey Pkwy..

Said Light Fixture(s) at W. Diversey Pkwy measure(s):

Four (4) at point eight three (.83) feet in length, one point five four (1.54) foot in width and thirteen (13) feet above grade level.

The location of said privilege shall be as shown on prints kept on file with the Department of Business Affairs and Consumer Protection and the Office of the City Clerk.

Said privilege shall be constructed in accordance with plans and specifications approved by the Department of Transportation (Division of Project Development).

This grant of privilege in the public way shall be subject to the provisions of Section 10-28-015 and all other required provisions of the Municipal Code of Chicago.

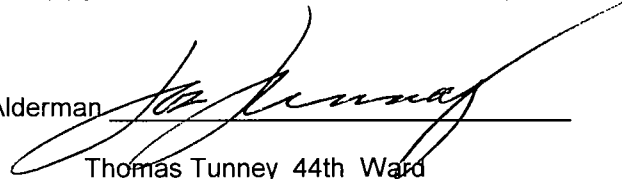
The grantee shall pay to the City of Chicago as compensation for the privilege #1114311 herein granted the sum of ninety (\$90.00) per annum in advance.

A 25% penalty will be added for payments received after due date.

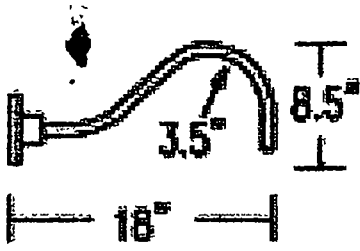
The permit holder agrees to hold the City of Chicago harmless for any damage, relocation or replacement costs associated with damage, relocation or removal of private property caused by the City performing work in the public way.

Authority herein given and granted for a period of five (5) years from and after Date of Passage.

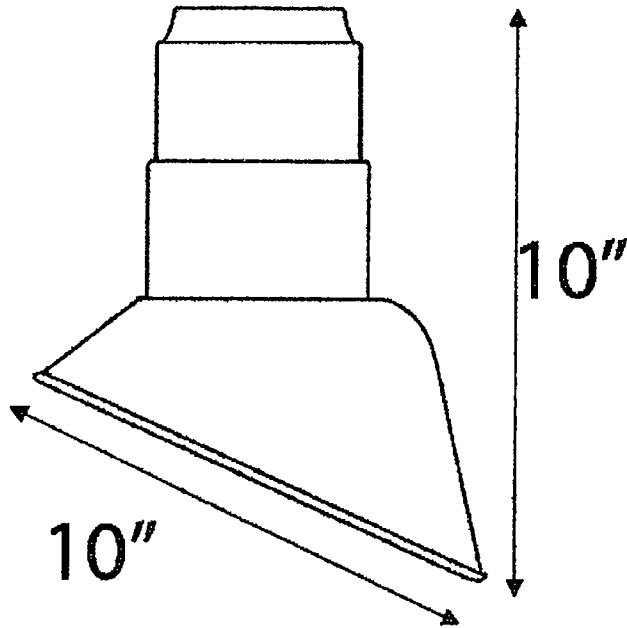
Alderman



Thomas Tunney 44th Ward



AE1



Q-BBQ Lakeview
714 W. Diversey



09/10/2014

Alderman **Thomas Tunney**
Ward # **44**
City of Chicago
City Hall, Room **203**
121 North LaSalle Street
Chicago, Illinois 60602

Re: An ordinance to use and maintain a portion of the public right-of-way for **four (4) light fixture(s)** for **Q-BBQ LAKEVIEW**, adjacent to the premises known as **714 W. Diversey Pkwy.**

Dear Alderman **Thomas Tunney**:

The applicant referenced above has requested the use of the public right-of-way for a **light fixture(s)**. An ordinance has been prepared by the Department of Business Affairs and Consumer Protection – Small Business Center - Public Way Use Unit for presentation to the City Council. Because this request was made for properties located in your ward, as approved by you as per the attached, I respectfully request that you introduce the attached ordinance at the next City Council meeting.

If you have any questions regarding this ordinance, please contact Anthony Bertuca at (312) 744-5506.

Department of Business Affairs and Consumer Protection