



City of Chicago



O2018-316

Office of the City Clerk

Document Tracking Sheet

Meeting Date:	1/17/2018
Sponsor(s):	Solis (25)
Type:	Ordinance
Title:	Grant(s) of privilege in public way for Cactus Bar and Grill
Committee(s) Assignment:	Committee on Transportation and Public Way

ORDINANCE
CACTUS BAR AND GRILL
Acct. No. 272987 - 1
Permit No. 1130717

Be It Ordained by the City Council of the City of Chicago:

SECTION 1. Permission and authority are hereby given and granted to CACTUS BAR AND GRILL, upon the terms and subject to the conditions of this ordinance to construct, install, maintain and use one (1) Wind Screen(s) on the public right-of-way adjacent to its premises known as 404 S. Wells St..

Said Wind Screen(s) at S Wells Street measure(s):

One (1) at five point four one (5.41) feet in length, and four (4) feet in width for a total of twenty-one point six four (21.64) square feet.

The location of said privilege shall be as shown on prints kept on file with the Department of Business Affairs and Consumer Protection and the Office of the City Clerk.

Said privilege shall be constructed in accordance with plans and specifications approved by the Department of Transportation (Division of Project Development).

This grant of privilege in the public way shall be subject to the provisions of Section 10-28-015 and all other required provisions of the Municipal Code of Chicago.

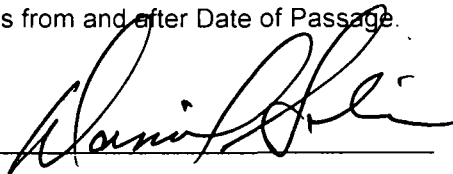
The grantee shall pay to the City of Chicago as compensation for the privilege #1130717 herein granted the sum of four hundred (\$400 00) per annum in advance.

A 25% penalty will be added for payments received after due date

The permit holder agrees to hold the City of Chicago harmless for any damage, relocation or replacement costs associated with damage, relocation or removal of private property caused by the City performing work in the public way.

Authority herein given and granted for a period of five (5) years from and after Date of Passage.

Alderman

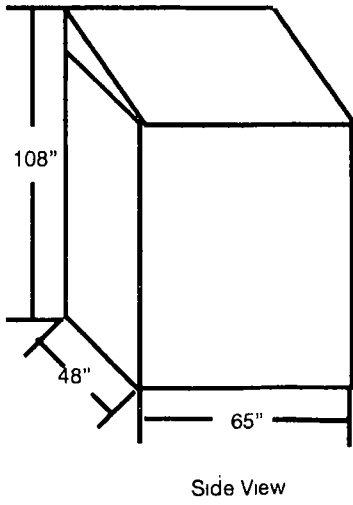
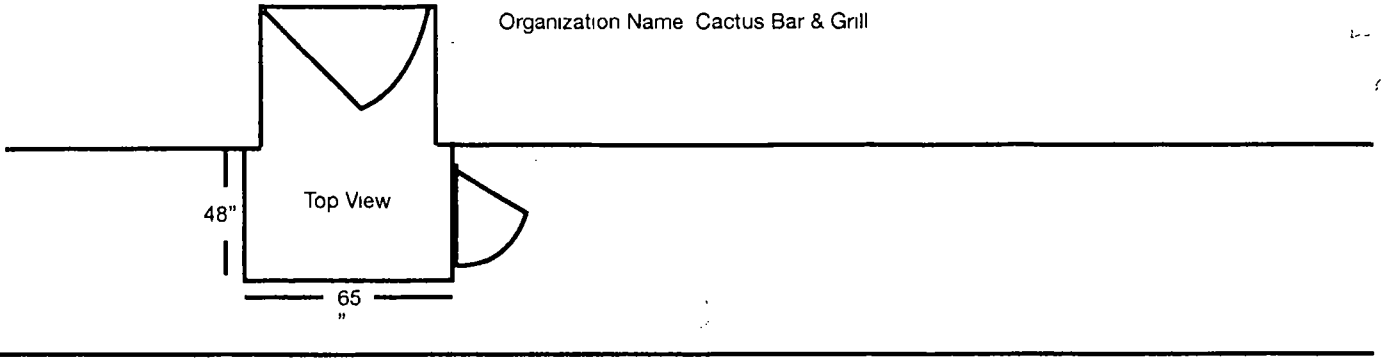


Daniel S. Solis 25th Ward

Windscreen Drawing

Property Location 404 South Wells St

Organization Name Cactus Bar & Grill





Department of Business Affairs and Consumer Protection
Small Business Center - Public Way Use Unit
City Hall - 121 N. LaSalle Street, Room 800 • Chicago, IL 60602
312-74-GOBIZ / 312-744-6249 • (312) 744-1944 (TTY)
<http://www.cityofchicago.org/bacp>

01/17/2018

Alderman **Daniel S. Solis**
Ward # **25**
City of Chicago
City Hall, Room **304**
121 North LaSalle Street
Chicago, Illinois 60602

Re: An ordinance to use and maintain a portion of the public right-of-way for **one (1) wind screen(s)** for **CACTUS BAR AND GRILL**, adjacent to the premises known as **404 S. Wells St.**

Dear Alderman **Daniel S. Solis**:

The applicant referenced above has requested the use of the public right-of-way for a **wind screen(s)**. An ordinance has been prepared by the Department of Business Affairs and Consumer Protection – Small Business Center - Public Way Use Unit for presentation to the City Council. Because this request was made for properties located in your ward, as approved by you as per the attached, I respectfully request that you introduce the attached ordinance at the next City Council meeting.

If you have any questions regarding this ordinance, please contact Anthony Bertuca at (312) 744-5506.

Department of Business Affairs and Consumer Protection