



City of Chicago



O2019-2154

Office of the City Clerk

Document Tracking Sheet

Meeting Date:	3/13/2019
Sponsor(s):	Foulkes (16)
Type:	Ordinance
Title:	Grant(s) of privilege in public way for 24/7 Express Mart
Committee(s) Assignment:	Committee on Transportation and Public Way

ORDINANCE
24/7 EXPRESS MART
Acct. No. 368701 - 1
Permit No. 1134560

Be It Ordained by the City Council of the City of Chicago:

SECTION 1. Permission and authority are hereby given and granted to 24/7 EXPRESS MART, upon the terms and subject to the conditions of this ordinance to maintain and use one (1) sign(s) projecting over the public right-of-way attached to its premises known as 5101 S. Ashland Ave..

Said sign structure(s) measures as follows; along S Ashland Ave:

One (1) at eight (8) feet in length, ten (10) feet in height and twelve (12) feet above grade level.

The location of said privilege shall be as shown on prints kept on file with the Department of Business Affairs and Consumer Protection and the Office of the City Clerk.

Said privilege shall be constructed in accordance with plans and specifications approved by the Department of Transportation (Division of Project Development) and Zoning Department - Signs.

This grant of privilege in the public way shall be subject to the provisions of Section 10-28-015 and all other required provisions of the Municipal Code of Chicago.

The grantee shall pay to the City of Chicago as compensation for the privilege #1134560 herein granted the sum of three hundred (\$300.00) per annum in advance.

A 25% penalty will be added for payments received after due date.

The permit holder agrees to hold the City of Chicago harmless for any damage, relocation or replacement costs associated with damage, relocation or removal of private property caused by the City performing work in the public way.

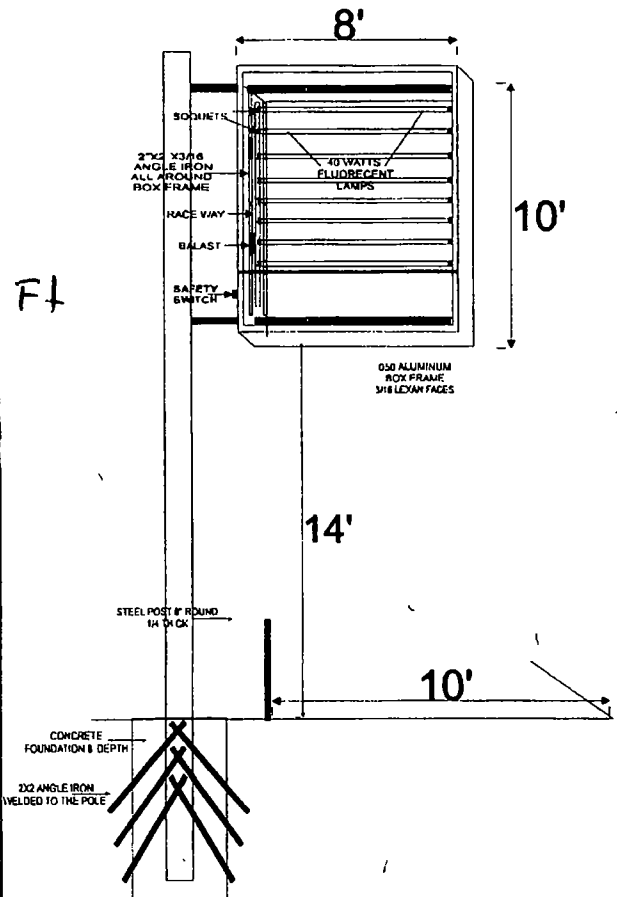
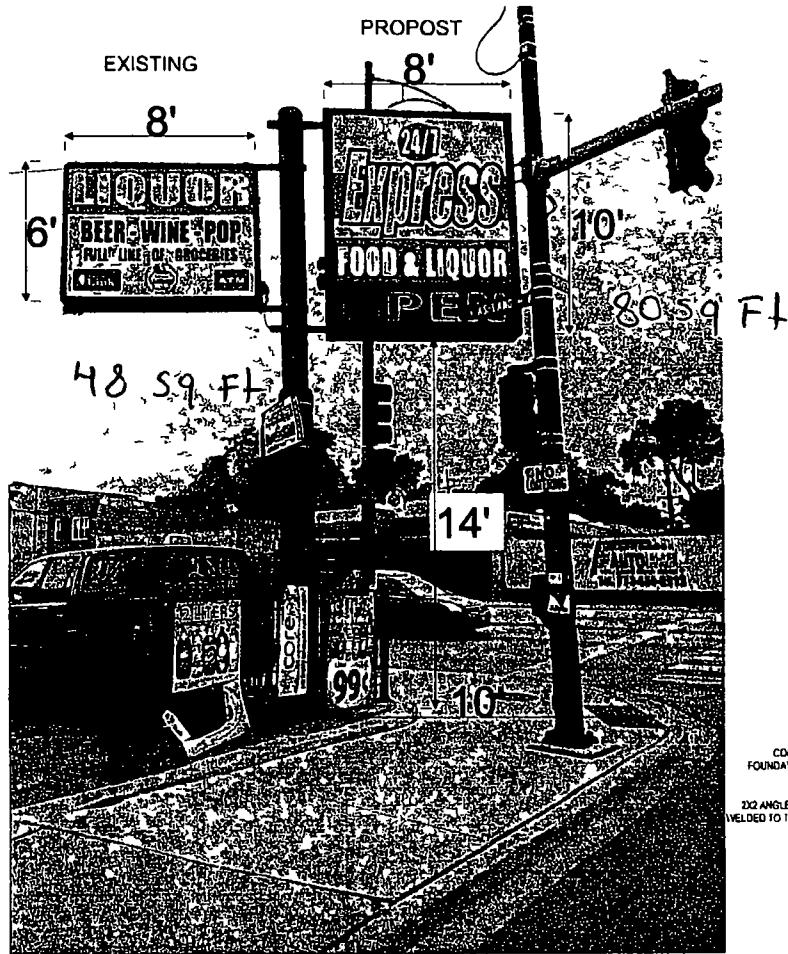
Authority herein given and granted for a period of five (5) years from and after Date of Passage.

Alderman 

Toni L. Foulkes 16th Ward

147 SQ FT

EXISTING



TOTAL 304 SQ FT