



City of Chicago



O2016-484

Office of the City Clerk

Document Tracking Sheet

| | |
|---------------------------------|--|
| Meeting Date: | 1/13/2016 |
| Sponsor(s): | Ramirez-Rosa (35) |
| Type: | Ordinance |
| Title: | Grant(s) of privilege in public way for metroPCS Authorized Dealer |
| Committee(s) Assignment: | Committee on Transportation and Public Way |

ORDINANCE

metroPCS Authorized Dealer

Acct. No. 392605 - 4

Permit No. 1120555

Be It Ordained by the City Council of the City of Chicago:

SECTION 1. Permission and authority are hereby given and granted to metroPCS Authorized Dealer, upon the terms and subject to the conditions of this ordinance to maintain and use two (2) sign(s) projecting over the public right-of-way attached to its premises known as 3409 W. Belmont Ave..

Said sign structure(s) measures as follows; along W Belmont Ave:

One (1) at thirteen point zero eight (13.08) feet in length, three point two five (3.25) feet in height and ten (10) feet above grade level.

One (1) at six (6) feet in length, four (4) feet in height and fourteen (14) feet above grade level.

The location of said privilege shall be as shown on prints kept on file with the Department of Business Affairs and Consumer Protection and the Office of the City Clerk.

Said privilege shall be constructed in accordance with plans and specifications approved by the Department of Transportation (Division of Project Development) and Zoning Department - Signs.

This grant of privilege in the public way shall be subject to the provisions of Section 10-28-015 and all other required provisions of the Municipal Code of Chicago.

The grantee shall pay to the City of Chicago as compensation for the privilege #1120555 herein granted the sum of four hundred (\$400.00) per annum in advance.

A 25% penalty will be added for payments received after due date.

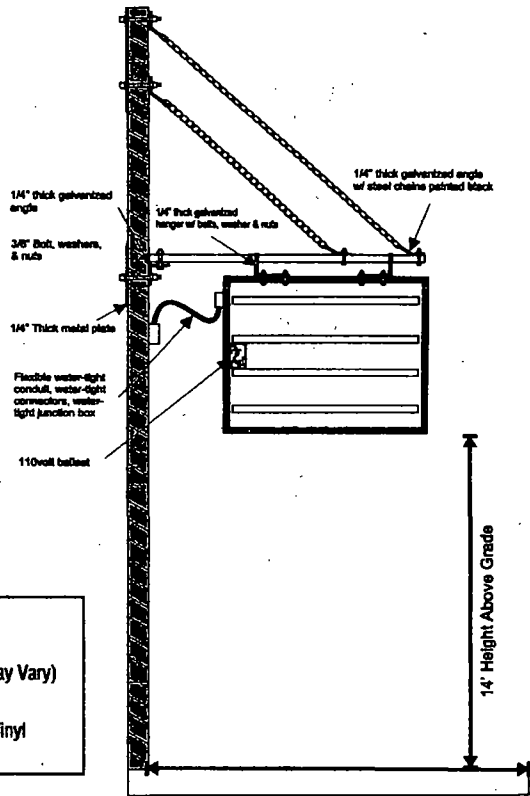
The permit holder agrees to hold the City of Chicago harmless for any damage, relocation or replacement costs associated with damage, relocation or removal of private property caused by the City performing work in the public way.

Authority herein given and granted for a period of five (5) years from and after Date of Passage.

Alderman



Carlos Ramirez-Rosa 35th Ward



DOUBLE SIDED LIGHT BOX

FACE TO BE #2447 FLAT WHITE ACRYLIC, W/ VINYL GRAPHICS ON FIRST SURFACE. BACKGROUND TO BE ARLON #2500-3412 PURPLE VINYL.

SIGN IS INTERNALLY ILLUMINATED W/ H.O. FLUORESCENT LAMPS.

COLOR SCHEDULE

- White Substrate (Material May Vary)
- Arlon #2500-3412 Purple Vinyl



5506 N. Kedzie Ave Chicago, IL 60625
773-267-6007 | sales@tfasigns.com

Client: Metro PCS
Address: 3409 W. Belmont Ave.
Chicago, IL
Tel: _____
Email: _____

Landlord: _____
Address: _____
Tel: _____
Email: _____

Start Date: 00/00/0000
Last Revision: 00/00/0000
Job#: 00000
Drawing#: 00000a.v1 s1 / e1
Page: 1 of 2

Client Approval _____

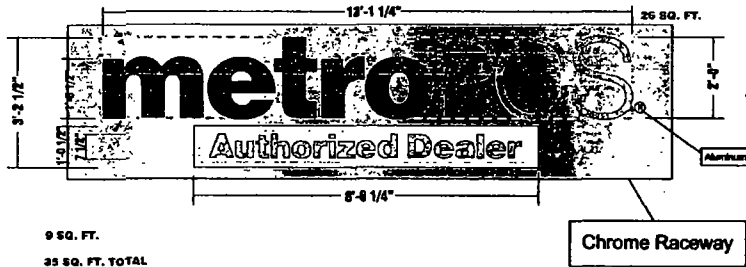
Landlord Approval _____

Sales Rep: Seung Park
Designer: Vernon James

E322358

Front-Lit Channel Letters w/ LED Illumination • Raceway Mounted

SIGN A



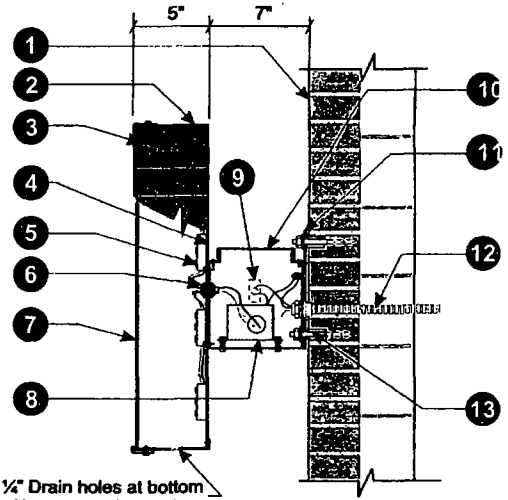
| | |
|---|-----------|
| Proposed Square Footage of this sign: | |
| Linear feet of store front: | 18'-0\"/> |
| Actual Square Footage Allowed by village: | |

9 SQ. FT.
35 SQ. FT. TOTAL
42 SQ. FT. TOTAL (ENVELOPE METHOD)

White Trimcaps / Black returns

Chrome Raceway

CHANNEL LETTER - TYPICAL SECTION - FRONT-LIT PLASTIC FACE



1/4\"/>

Section @ LED Channel Letter
Raceway mount Installation Scale: N.T.S.



ELECTRICAL NOTES

Sign Company DOES NOT provide primary electrical to sign. Power to the sign must be done by a licensed electrical contractor or licensed electrician.
Each sign must have:
1. A minimum of one dedicated 120V 20A circuit
2. Junction box installed within 6 feet of sign
3. Three wires: Line, Ground, Neutral

Specifications: LED Channel Letters

- Existing Facade Concrete Block/ Brick
- 0.040\"/>

Electrical Detail: Channel Letters

Mean well CLG-60-12
(1) 60w Transformers @ 0.80
Total Amps: 0.80
(1) Minimum of 20 amp 120V Circuit Req.

General Notes:

This sign is to be installed in accordance with the requirements of Article 600 of the National Electrical Code

- Grounded and bonded per NEC 600.7/NEC 250
- Existing branch circuit in compliance with NEC 600.5, not to exceed 20 amps
- Sign is to be UL listed per NEC 600.3
- UL disconnect switch per NEC 600.6- required per sign component before leaving manufacturer
*For multiple signs, a disconnect is permitted but not required for each section



5500 N. Kedzie Ave Chicago, IL 60630
773-267-6007 | sales@tfasigns.com

Client: Metro PCS
Address: 3409 W. Belmont Ave.
Chicago, IL
Tel:
Email:

Landlord:
Address:
Tel:
Email:

Start Date: 00/00/0000
Last Revision: 00/00/0000
Job#: 00000
Drawing#: 00000a v1 s1 / e1
Page: 1 of 2

Client Approval _____
Landlord Approval _____

Sales Rep:
Seung Park
Designer:

E322358