



City of Chicago



O2016-5180

Office of the City Clerk

Document Tracking Sheet

Meeting Date:	6/22/2016
Sponsor(s):	Reboyras (30)
Type:	Ordinance
Title:	Grant(s) of privilege in public way for Crawfords - security cameras
Committee(s) Assignment:	Committee on Transportation and Public Way

ORDINANCE
CRAWFORDS
Acct. No. 405700 - 1
Permit No. 1123206

Be It Ordained by the City Council of the City of Chicago:

SECTION 1. Permission and authority are hereby given and granted to CRAWFORDS, upon the terms and subject to the conditions of this ordinance to construct, install, maintain and use five (5) Security Camera(s) projecting over the public right-of-way for security purposes adjacent to its premises known as 3938-3942 W. School St..

Said Security Camera(s) at W. School measure(s):

Five (5) at point three one (.31) feet in length, point three one (.31) feet in width and eleven point five (11.5) feet above grade level.

The location of said privilege shall be as shown on prints kept on file with the Department of Business Affairs and Consumer Protection and the Office of the City Clerk.

Said privilege shall be constructed in accordance with plans and specifications approved by the Department of Planning and Development and Department of Transportation (Division of Project Development).

This grant of privilege in the public way shall be subject to the provisions of Section 10-28-015 and all other required provisions of the Municipal Code of Chicago.

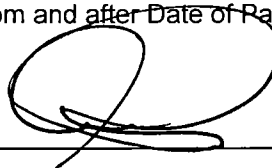
The grantee shall pay to the City of Chicago as compensation for the privilege #1123206 herein granted the sum of zero (\$.00) per annum in advance.

A 25% penalty will be added for payments received after due date.

The permit holder agrees to hold the City of Chicago harmless for any damage, relocation or replacement costs associated with damage, relocation or removal of private property caused by the City performing work in the public way.

Authority herein given and granted for a period of five (5) years from and after Date of Passage.

Alderman _____



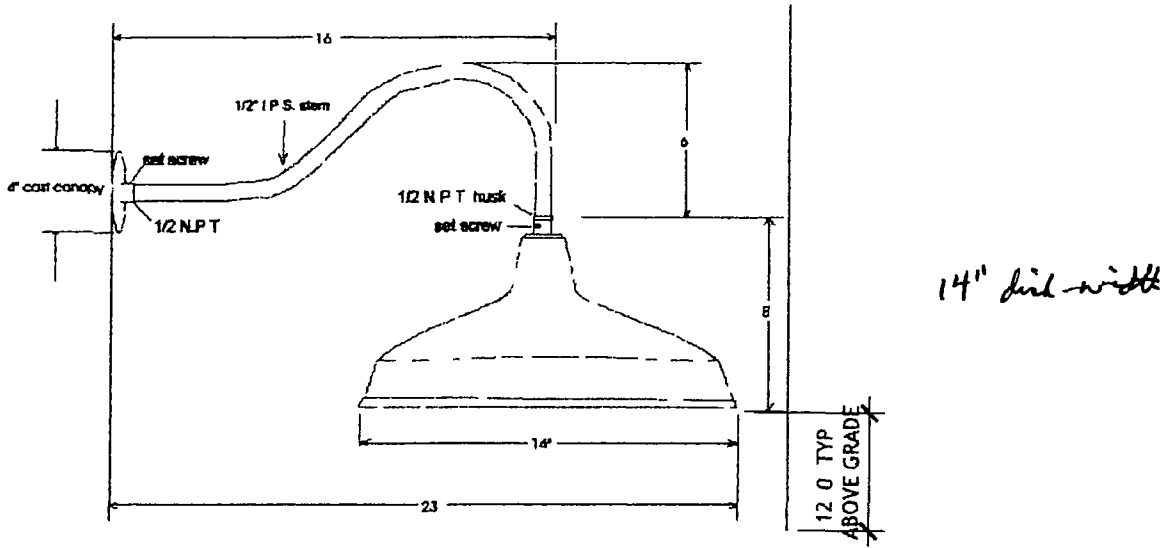
Ariel Reboyras 30th Ward

3938 AVONDALE, LLC - dba "CRAWFORD'S"
3938-42 W. SCHOOL ST. - CHICAGO, IL - 60618
PUBLIC R.O.W. USE PERMIT - 4.15.16

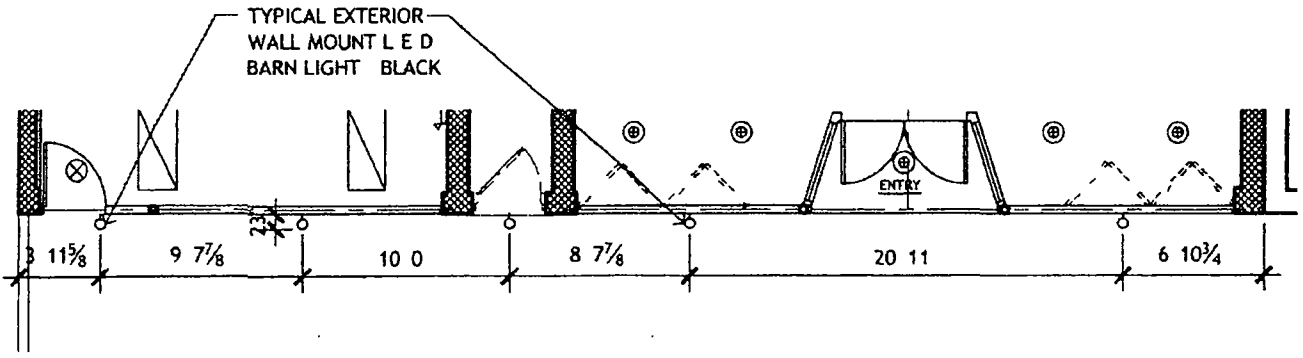
PREPARED BY



© cj architects, 2016



LIGHT FIXTURE DETAIL
SCALE N T S



EXTERIOR LIGHTING PLAN
SCALE 1/8" = 1' 0"





06/22/2016

Alderman **Ariel Reboyras**
Ward # 30
City of Chicago
City Hall, Room 300
121 North LaSalle Street
Chicago, Illinois 60602

Re: An ordinance to use and maintain a portion of the public right-of-way for **five (5) security camera(s)** for **CRAWFORDS**, adjacent to the premises known as **3938-3942 W. School St.**

Dear Alderman **Ariel Reboyras**:

The applicant referenced above has requested the use of the public right-of-way for a **security camera(s)**. An ordinance has been prepared by the Department of Business Affairs and Consumer Protection – Small Business Center - Public Way Use Unit for presentation to the City Council. Because this request was made for properties located in your ward, as approved by you as per the attached, I respectfully request that you introduce the attached ordinance at the next City Council meeting.

If you have any questions regarding this ordinance, please contact Anthony Bertuca at (312) 744-5506.

Department of Business Affairs and Consumer Protection