



Office of the City Clerk



02012-8513

Office of the City Clerk

City Council Document Tracking Sheet

| | |
|---------------------------------|---------------------------------------------------------------------------|
| Meeting Date: | 12/12/2012 |
| Sponsor(s): | O'Connor, Mary (41) |
| Type: | Ordinance |
| Title: | Grant(s) of privilege in public way for Brian Thomas McCormack - fence |
| Committee(s) Assignment: | Committee on Transportation and Public Way |

ORDINANCE
BRIAN THOMAS McCORMACK
Acct. No. 376508 - 1
Permit No. 1103382

Be It Ordained by the City Council of the City of Chicago:

SECTION 1. Permission and authority are hereby given and granted to BRIAN THOMAS McCORMACK, upon the terms and subject to the conditions of this ordinance to maintain and use, as now constructed, one (1) Fence(s) on the public right-of-way adjacent to its premises known as 6877 N. Jean Ave..

Said Fence(s) at N. Ionia measure(s):

One (1) at one hundred sixteen (116) feet in length, and one (1) foot in width for a total of one hundred sixteen (116) square feet. Existing fence is approximately five (5) feet in height.

The location of said privilege shall be as shown on prints kept on file with the Department of Business Affairs and Consumer Protection and the Office of the City Clerk.

Said privilege shall be constructed in accordance with plans and specifications approved by the Department of Transportation (Division of Project Development).

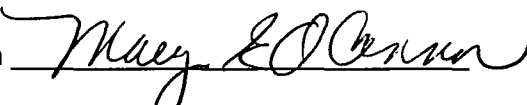
This grant of privilege in the public way shall be subject to the provisions of Section 10-28-015 and all other required provisions of the Municipal Code of Chicago.

The grantee shall pay to the City of Chicago as compensation for the privilege #1103382 herein granted the sum of four hundred (\$400.00) per annum in advance.

A 25% penalty will be added for payments received after due date.

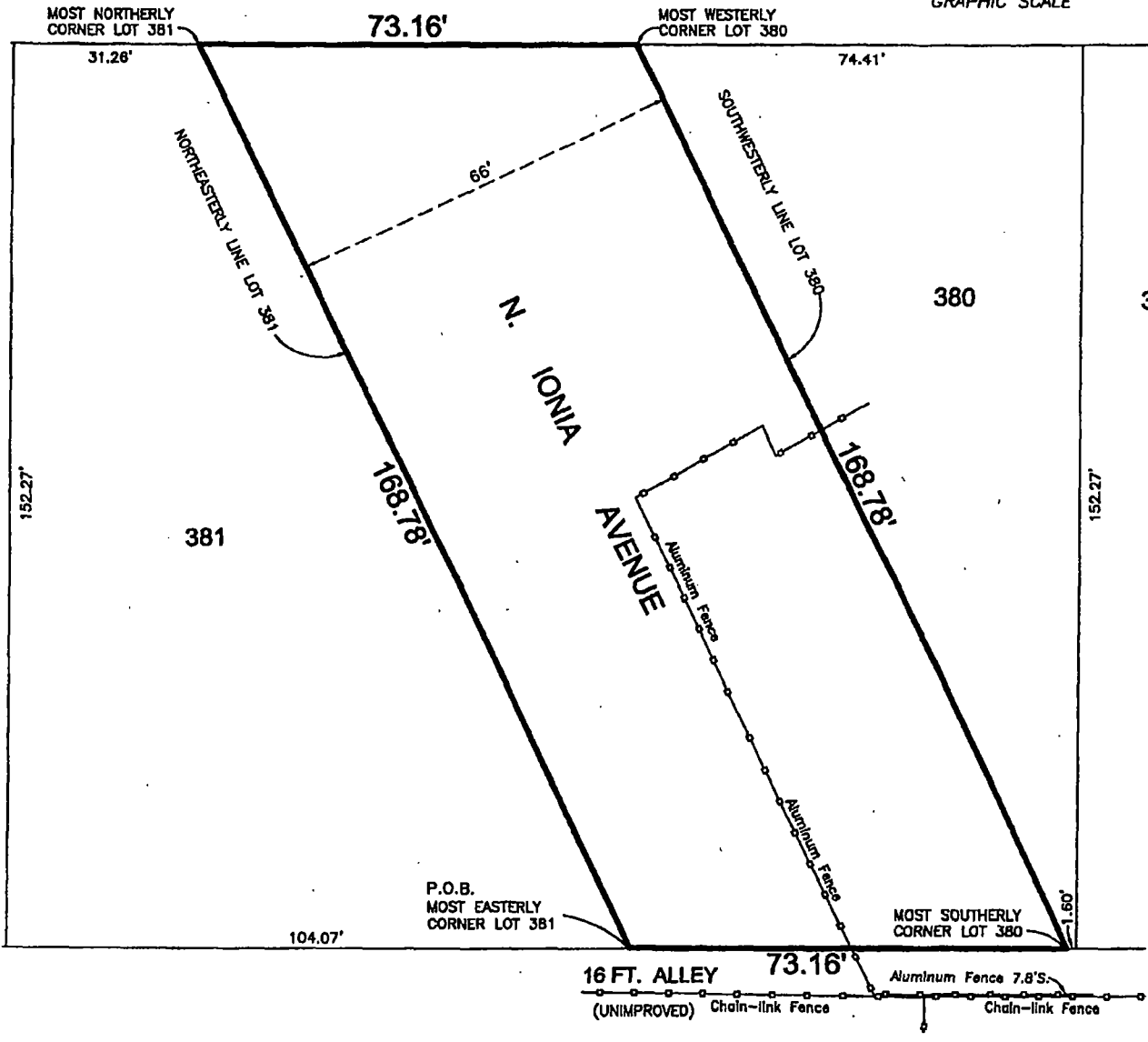
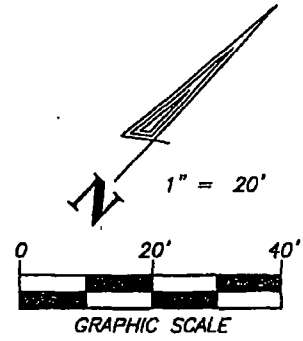
The permit holder agrees to hold the City of Chicago harmless for any damage, relocation or replacement costs associated with damage, relocation or removal of private property caused by the City performing work in the public way.

Authority herein given and granted for a period of five (5) years from and after Date of Passage.

Alderman 
Mary O'Connor 41st Ward

N. JEAN AVENUE

Inlet





Department of Business Affairs and Consumer Protection
Business Assistance Center - Public Way Use Unit
City Hall - 121 N. LaSalle Street, Room 800 • Chicago, IL 60602
(312)-74-GOBIZ (312-744-6249) • (312) 744-1944 (TTY)
<http://www.cityofchicago.org/bacp>

12/12/2012

Alderman **Mary O'Connor**
Ward # **41**
City of Chicago
City Hall, Room **203**
121 North LaSalle Street
Chicago, Illinois 60602

Re: An ordinance to use and maintain a portion of the public right-of-way for **one (1) fence(s)** for **BRIAN THOMAS McCORMACK**, adjacent to the premises known as **6877 N. Jean Ave.**.

Dear Alderman **Mary O'Connor**:

The applicant referenced above has requested the use of the public right-of-way for a **fence(s)**. An ordinance has been prepared by the Department of Business Affairs and Consumer Protection – Business Assistance Center - Public Way Use Unit for presentation to the City Council. Because this request was made for properties located in your ward, as approved by you as per the attached, I respectfully request that you introduce the attached ordinance at the next City Council meeting.

If you have any questions regarding this ordinance, please contact Anthony Bertuca at (312) 744-5506.

Department of Business Affairs and Consumer Protection