



City of Chicago



Or2020-184

Office of the City Clerk

Document Tracking Sheet

| | |
|---------------------------------|--|
| Meeting Date: | 7/22/2020 |
| Sponsor(s): | Reilly (42) |
| Type: | Order |
| Title: | Issuance of permits for sign(s)/signboard(s) at 35 N State St - 76 sq. ft. - west elevation |
| Committee(s) Assignment: | Committee on Zoning, Landmarks and Building Standards |

CITY COUNCIL
COMMITTEE ON ZONING, LANDMARKS AND BUILDING STANDARDS

COUNCIL ORDER

RE: Approval of sign over 100 square feet in area or over 24 feet above grade

ORDERED, that the City Council hereby approves the following sign application submitted by:

Applicant*: Primark US Corp

(* The Applicant is the owner of the real property or the business tenant of the real property. Do not list the sign contractor, sign erector, sign company or advertising entity in the above space.)

This Order approves the following sign in accordance with Municipal Code of Chicago Section 13-20-680:

Address of Sign: 35 N. State Chicago, IL 60602

Zoning District: DX-16

DOB Sign Permit Application #: 100869408

Sign Details:

1. On-premise OR Off-premise

2. Static sign OR Dynamic-image display sign

3. Number of sign faces 1

4. Projecting over the public way NO (Yes or No) If yes, Public Way Use #: NA

5. Dimensions: Length 24 feet 4 inches Height 3 feet 1.5 inches

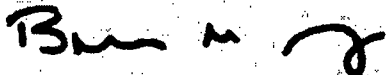
Total square feet in area: 76 feet 0 inches

6. Height above grade: 46 feet 0 inches

7. Elevation (side of building or lot where the sign will be erected): WEST

8. Name of Sign Contractor/Erector: SHAWMUT WOODWORKING AND SUPPLY INC

To be legal, such sign shall comply with all provisions of Title 17 of the Chicago Municipal Code ("Zoning Ordinance") and all other provisions of the Municipal Code governing the permitting, construction and maintenance and removal of signs and sign structures. Failure of the applicant and the applicant's successors to comply shall be grounds for invalidation or revocation of the sign permit.

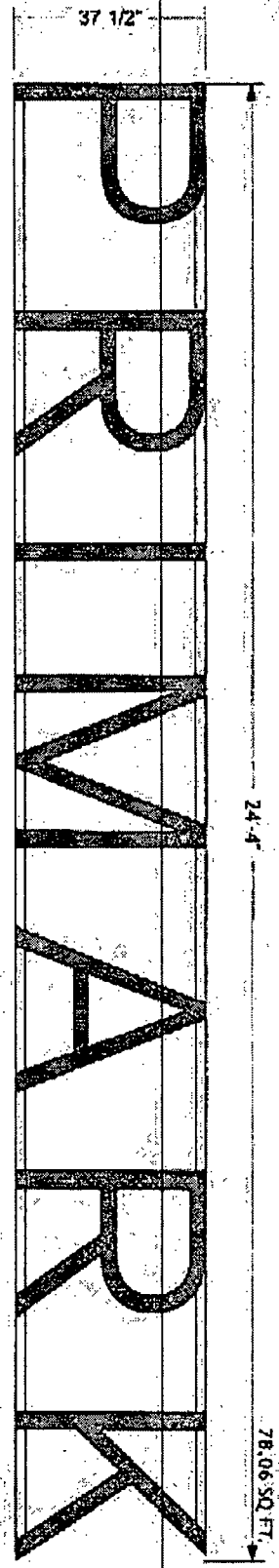


Alderman

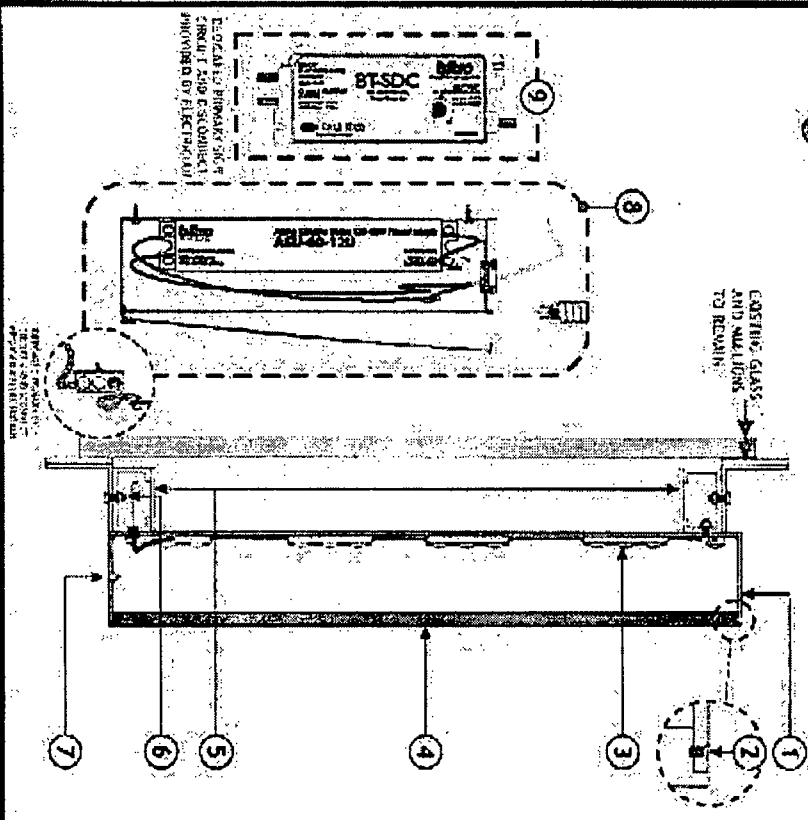
42

Ward

A ILLUMINATED CHANNEL LETTERS ON RACEWAY - ELEVATION
Scale: 1/2" = 1'-0"



ILLUM. CHANNEL LETTERS - SECTION



SIGN - DETAILS

- 1 2 1/2" DIA. 16 GAUGE BRUSHED STAINLESS STEEL LETTER RETURNS WITH 11 GAUGE STAINLESS STEEL LETTER BACKS. INSIDE OF LETTERS PAINTED HIGH GLOSS WHITE.
- 2 2-36 x 5/16" COUNTERSINK SCREWS WILL BE SCREWED INTO AC RYLIC FROM TOP OF RETURN TO HOLD FACES IN PLACE.
- 3 BITNO "PRIMARK BLUE" TITO 2 GEN LED UNITS TO ILLUMINATE LETTER BACKS. MOUNTED TO RETURNS. DIRECT LIGHT TOWARD CENTER OF LETTER.
- 4 3/8" THICK, ROUTED REVERSE PUSH THROUGH PRESPEX ACRYLIC FACES. FACES TO HAVE 1/16" LAYER OF 2ND SURFACE GRACIAL TRANSPARENT M159 ICE BLUE VINYL.
- 5 LETTERS ATTACH TO TWO 2" x 3" RACEWAYS PLACED AT TOP AND BOTTOM OF LETTERS. PAINTED TO MATCH STORE FRONT MILLIONS (EXACT COLOR T.B.D.) WITH THRU-BOOTS. RACEWAYS TO HAVE REMOVABLE COVERS FOR MOUNTING AND SERVICE ACCESS.
- 6 RACEWAYS WILL BE THRU-BORED TO STEEL ANGLE STRUCTURE (PROVIDED BY OTHERS). SIZE OF STEEL ANGLES T.B.D.
- 7 DRAIN HOLE WITH LIGHT COVER
- 8 REMOTE LOCATED BITNO ASU-40-120 LED DRIVER (7.20 227 VOLT) CONTAINED IN PLATE MOUNTS. SNAP 2 ENCLOSURE
- 9 BITNO BT-50E LED DIMMING MODULE CONNECTED TO WIRING

PR137-SRPT SS RW

PRIMARK
Store
Space

35 NORTH STATE STREET
CHICAGO, IL 60602

Ruggles SIGN

93 Industry Drive
PO Box 549
Versailles, KY 40383
858.879.1199

MSA **IS** **MUR**

This sign is intended to be installed in accordance with the requirements of Article 605 of the National Electrical Code and other applicable local codes. The installer is responsible for obtaining all necessary permits and for complying with all applicable codes and regulations of the local authority having jurisdiction.

INSTALLER: SIGN SOURCE, INC. 1001 WEST 10TH AVENUE, SUITE 100, CHICAGO, IL 60607

CHL US

Submittal for What Locations
Label Location
Date: 12/20/19
Asst: SETH
Designer: Heather HIRD

REVISIONS

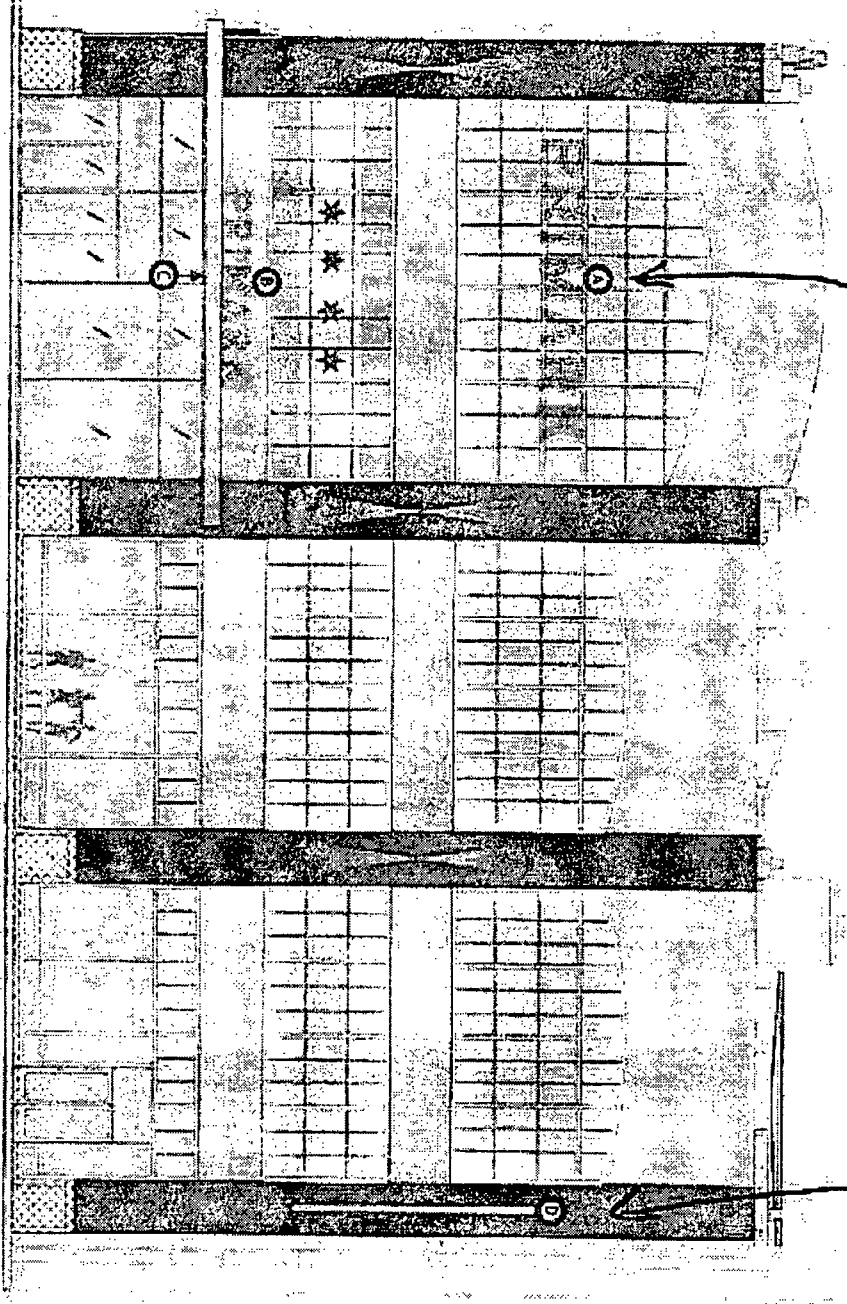
| | | |
|----|----------|----|
| 11 | 01/08/20 | 15 |
| 12 | 01/13/20 | 16 |
| 13 | 01/13/20 | 17 |
| 14 | 04/27/20 | 18 |
| 15 | | 19 |

PAGE: 4

STOREFRONT - ELEVATION CONTINUED
 SCALE: N.T.S.

100869400

100869400



PR12 S8PT 55.8W
 QTY - 2

PR12 8PT 55 WW
 QTY - 2

PR1 CANOPY LIGHTS
 QTY - 1

PR1 CRO24 Vert.
 QTY - 2



Ruggles
 SIGN

93 Industry Drive
 PO Box 349
 Versailles, KY 40383
 859.879.1199



PR1 MARK

Store
 Space

35 NORTH STATE STREET
 CHICAGO, IL 60601



This sign is intended to be built in accordance with the requirements of the International Building Code, which may vary from the requirements of the local jurisdiction. The installer should provide the local jurisdiction with the appropriate code book and specifications for the sign. ALL WORK TO BE IN ACCORDANCE WITH THE LOCAL CODES.

Submitted at Date: 12/20/11
 Acct. Dept: ALLEN SMITH
 Designer: HESTER 981.2

| REVISIONS | |
|-----------|----------|
| 1. | 01/06/12 |
| 2. | 01/27/12 |
| 3. | 01/31/12 |
| 4. | 01/31/12 |
| 5. | |