



City of Chicago



O2018-3462

Office of the City Clerk

Document Tracking Sheet

Meeting Date:	4/18/2018
Sponsor(s):	Cardenas (12)
Type:	Ordinance
Title:	Grant(s) of privilege in public way for San Rafael Family Health Center
Committee(s) Assignment:	Committee on Transportation and Public Way

ORDINANCE
SAN RAFAEL FAMILY HEALTH CENTER
Acct. No. 57831 - 33
Permit No. 1129114

Be It Ordained by the City Council of the City of Chicago:

SECTION 1. Permission and authority are hereby given and granted to SAN RAFAEL FAMILY HEALTH CENTER, upon the terms and subject to the conditions of this ordinance to maintain and use one (1) sign(s) projecting over the public right-of-way attached to its premises known as 3204 W. 26th St..

Said sign structure(s) measures as follows; along W 26th St:
One (1) at twenty-six (26) feet in length, three (3) feet in height and twelve (12) feet above grade level.

The location of said privilege shall be as shown on prints kept on file with the Department of Business Affairs and Consumer Protection and the Office of the City Clerk.

Said privilege shall be constructed in accordance with plans and specifications approved by the Department of Transportation (Division of Project Development) and Zoning Department - Signs.

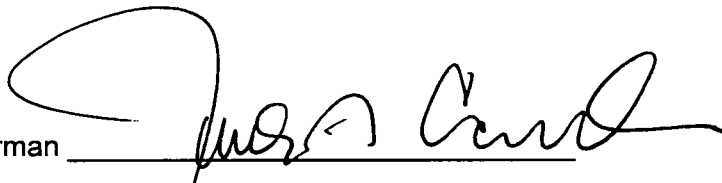
This grant of privilege in the public way shall be subject to the provisions of Section 10-28-015 and all other required provisions of the Municipal Code of Chicago.

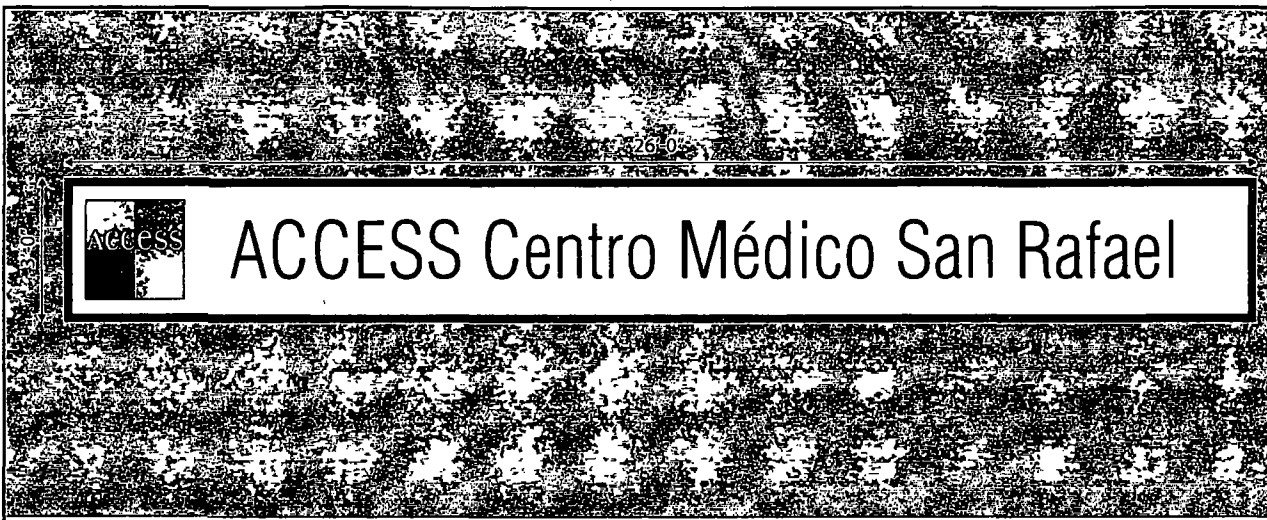
The grantee shall pay to the City of Chicago as compensation for the privilege #1129114 herein granted the sum of three hundred (\$300.00) per annum in advance.

A 25% penalty will be added for payments received after due date.

The permit holder agrees to hold the City of Chicago harmless for any damage, relocation or replacement costs associated with damage, relocation or removal of private property caused by the City performing work in the public way.

Authority herein given and granted for a period of five (5) years from and after Date of Passage.

Alderman 
George Cardenas 12th Ward



ILLUMINATED BOX SIGN

ACCESS COMMUNITY HEALTH NETWORK
 600 W. F. Iron St. Suite 200
 Chicago, IL 60661

LOCATION:
 3204 W. 76th St.
 Chicago, IL 60623

Scale: _____

Job # _____

Designer: fnp Date: 03/22/2017

r1 00/00/00
 r2 00/00/00
 r3 00/00/00
 r4 00/00/00

Design Status:
 Approved Approved not a
 Rejected Rejected

DATE: _____

Permit Status:
 MUNICIPALITY: _____
 Applied DATE: _____
 Rejected DATE: _____
 Approved DATE: _____

SIGNS3 Inc
 FULL SERVICE SIGN COMPANY

207 S. Gail Court
 Prospect Heights, IL 60070
 Ph/Fx 847.222.0505

info@signs3.com signs3.com

PROJECT COLORS:

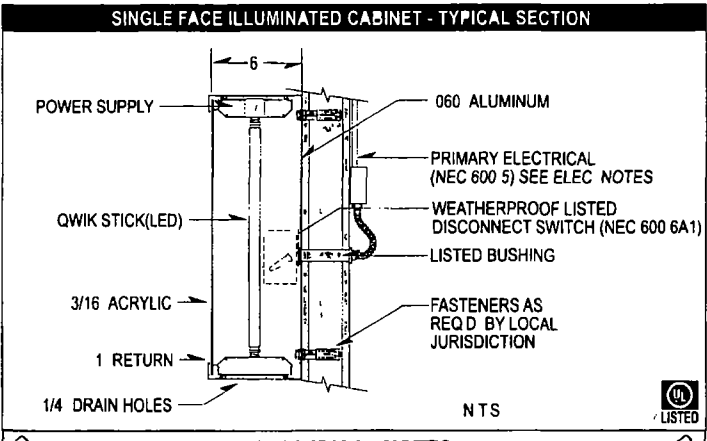
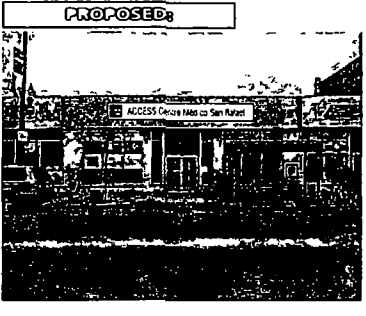
Pantone 6850
 Pantone 6850
 Pantone 6850
 Pantone 6850

PROJECT NOTES:

QUANTITY (1) box sign/signle face/aluminum
 INSERTS white lexan
 ILLUMINATION internally lit/white LED
 MOUNTING screw mount to fascia
 DIMENSIONS 3 x 26
 SQUARE FOOTAGE 78 SF

RENDERING
 DRAWING

ACCESS Centro Médico San Rafael



ELECTRICAL NOTES

Sign Company **DOES NOT** provide primary electrical to sign.
 Power to the sign must be done by a licensed electrical contractor or licensed electrician.
 Each sign must have: 1. A minimum of one dedicated 120V 20A circuit
 2. Junction box installed within 6 feet of sign
 3. Three wires: Line, Ground, Neutral



04/18/2018

Alderman George Cardenas
Ward # 12
City of Chicago
City Hall, Room 300
121 North LaSalle Street
Chicago, Illinois 60602

Re: An ordinance to use and maintain a portion of the public right-of-way for **one (1) sign(s)** for **SAN RAFAEL FAMILY HEALTH CENTER**, adjacent to the premises known as **3204 W. 26th St.**.

Dear Alderman **George Cardenas**:

The applicant referenced above has requested the use of the public right-of-way for a **sign(s)**. An ordinance has been prepared by the Department of Business Affairs and Consumer Protection – Small Business Center - Public Way Use Unit for presentation to the City Council. Because this request was made for properties located in your ward, as approved by you as per the attached, I respectfully request that you introduce the attached ordinance at the next City Council meeting.

If you have any questions regarding this ordinance, please contact Anthony Bertuca at (312) 744-5506.

Department of Business Affairs and Consumer Protection