



City of Chicago



O2017-3463

Office of the City Clerk Document Tracking Sheet

Meeting Date:	4/19/2017
Sponsor(s):	Foulkes (16)
Type:	Ordinance
Title:	Grant(s) of privilege in public way for J&A Remotes and Keys Duplicate Center No. 2
Committee(s) Assignment:	Committee on Transportation and Public Way

ORDINANCE
J&A Remotes And Keys Duplicate Center #2
Acct. No. 385324 - 2
Permit No. 1120615

Be It Ordained by the City Council of the City of Chicago:

SECTION 1. Permission and authority are hereby given and granted to J&A Remotes And Keys Duplicate Center #2, upon the terms and subject to the conditions of this ordinance to maintain and use one (1) sign(s) projecting over the public right-of-way attached to its premises known as 5828 S. Western Ave..

Said sign structure(s) measures as follows; along S Western Ave:
One (1) at five (5) feet in length, five (5) feet in height and eleven point four two (11.42) feet above grade level.

The location of said privilege shall be as shown on prints kept on file with the Department of Business Affairs and Consumer Protection and the Office of the City Clerk.

Said privilege shall be constructed in accordance with plans and specifications approved by the Department of Transportation (Division of Project Development) and Zoning Department - Signs.

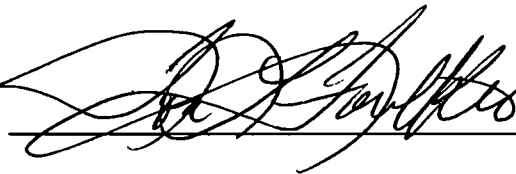
This grant of privilege in the public way shall be subject to the provisions of Section 10-28-015 and all other required provisions of the Municipal Code of Chicago.

The grantee shall pay to the City of Chicago as compensation for the privilege #1120615 herein granted the sum of three hundred (\$300.00) per annum in advance.

A 25% penalty will be added for payments received after due date.

The permit holder agrees to hold the City of Chicago harmless for any damage, relocation or replacement costs associated with damage, relocation or removal of private property caused by the City performing work in the public way.

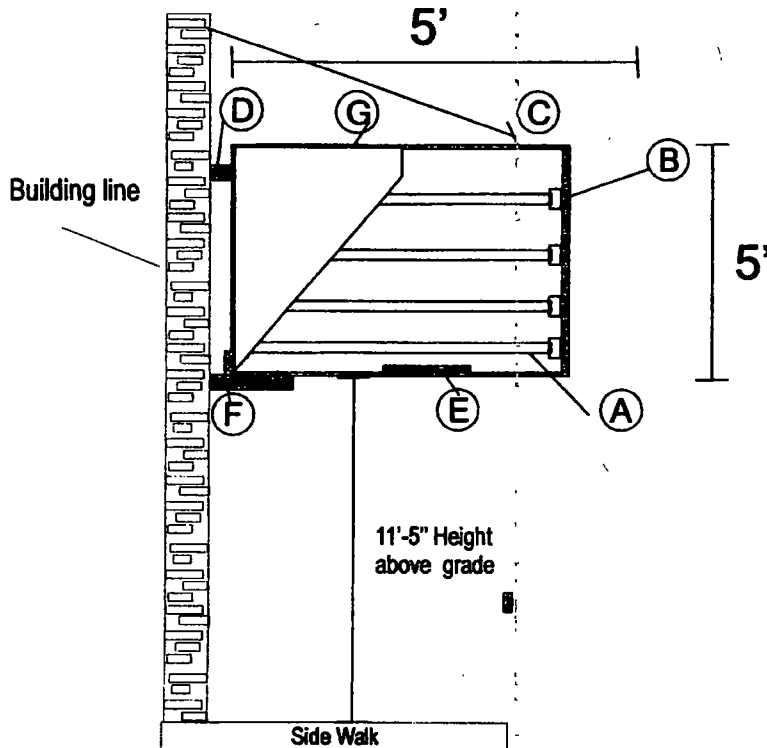
Authority herein given and granted for a period of five (5) years from and after Date of Passage.

Alderman 

Toni L. Foulkes 16th Ward

J&A Remote & Key Duplicate Center #2
5828 S Western Ave.
Chicago Il 60636
Jorge L Martinez
(773) 951-1179

Electric sign double face



- A - Fluorescent Lamp
- B - Lamp Socket
- C - Thickness Aluminum
- D - Mount Support
- E - Ballast
- F - Switch
- G - 3/16" Lexan plastic

General Specifications

Sign Type:	Illuminated Sign
Retainer Size:	12"
Retainer Color:	Black
Retainer Gauge:	0.040 Aluminum
Sign Style:	Double Face
Face color:	Print vinyl translucent
Sign Style:	3/16 Lexan
Vinyl Graphics	Full color
Lamp:	F60T12CW/HO
Ballast:	256-496 (1) 120V