



City of Chicago



O2013-6877

Office of the City Clerk

Document Tracking Sheet

Meeting Date:	9/11/2013
Sponsor(s):	Thompson, Joann (16)
Type:	Ordinance
Title:	Awning(s) for Alicia's Tamales
Committee(s) Assignment:	Committee on Transportation and Public Way

ORDINANCE
ALICIA'S TAMALES
Acct. No. 345045 - 1
Permit No. 1102999

Be It Ordained by the City Council of the City of Chicago:

SECTION 1. Permission and authority are hereby given and granted to ALICIA'S TAMALES, upon the terms and subject to the conditions of this ordinance to maintain and use, as now constructed, one (1) Awning(s) projecting over the public right-of-way adjacent to its premises known as 2753 W. 55th St..

Said Awning(s) at West 55th Street measure(s):

One (1) at twenty-four (24) feet in length, and two (2) feet in width for a total of forty-eight (48) square feet.

The location of said privilege shall be as shown on prints kept on file with the Department of Business Affairs and Consumer Protection and the Office of the City Clerk.

Said privilege shall be constructed in accordance with plans and specifications approved by the Zoning Department - Signs.

This grant of privilege in the public way shall be subject to the provisions of Section 10-28-015 and all other required provisions of the Municipal Code of Chicago.

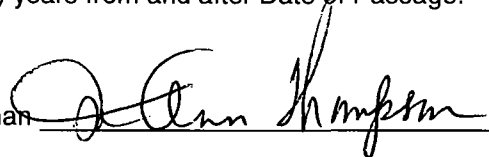
The grantee shall pay to the City of Chicago as compensation for the privilege #1102999 herein granted the sum of fifty (\$50.00) per annum in advance.

A 25% penalty will be added for payments received after due date.

The permit holder agrees to hold the City of Chicago harmless for any damage, relocation or replacement costs associated with damage, relocation or removal of private property caused by the City performing work in the public way.

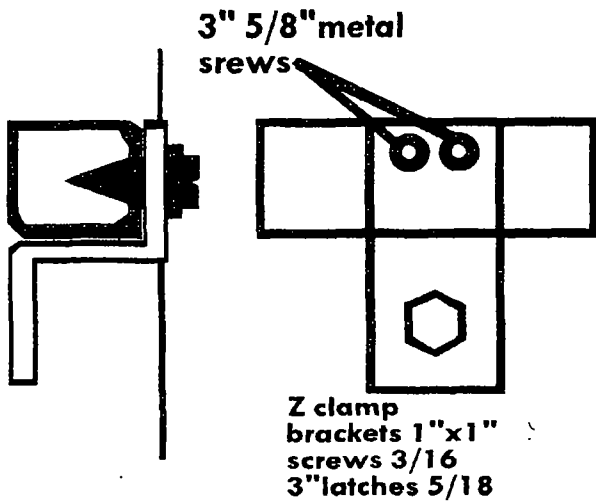
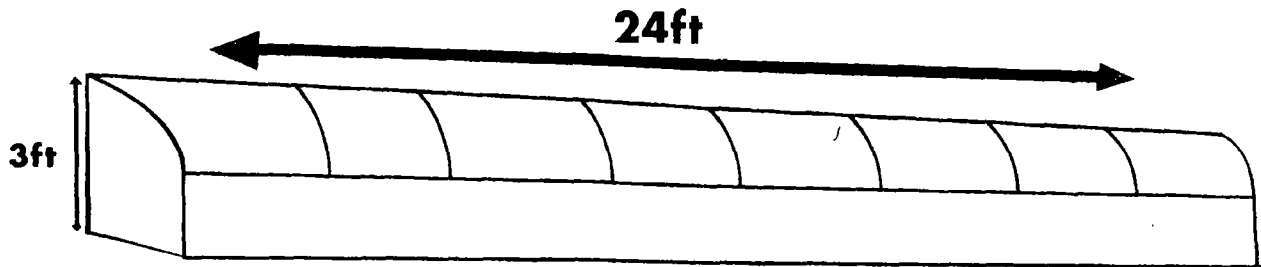
Authority herein given and granted for a period of five (5) years from and after Date of Passage.

Alderman



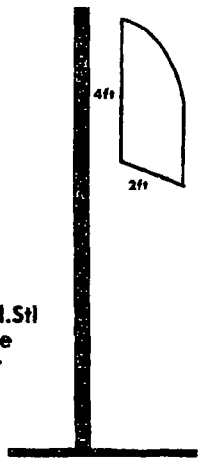
Joann Thompson 16th Ward

#100496925



Fabric on awning will be in vinyl color green white and lettering with tri-color logo..

1"x1"Galvanized Steel Tubing 16GA. typ



Frame to wall anchor