



City of Chicago



O2016-6779

Office of the City Clerk

Document Tracking Sheet

Meeting Date:	9/14/2016
Sponsor(s):	Osterman (48)
Type:	Ordinance
Title:	Grant(s) of privilege in public way for Vern and Vera
Committee(s) Assignment:	Committee on Transportation and Public Way

ORDINANCE
Vern and Vera
Acct. No. 391750 - 1
Permit No. 1123051

Be It Ordained by the City Council of the City of Chicago:

SECTION 1. Permission and authority are hereby given and granted to Vern and Vera, upon the terms and subject to the conditions of this ordinance to construct, install, maintain and use two (2) Planter(s) on the public right-of-way for beautification purposes adjacent to its premises known as 5856 N. Broadway .

Said Planter(s) at N. Broadway measure(s):

Two (2) at one (1) foot in length, and one point eight three (1.83) foot in width for a total of three point six six (3.66) square feet.

Grantee must allow the required clear and unobstructed space for pedestrian passage at all times per rules and regulations approved by the Department of Transportation.

The location of said privilege shall be as shown on prints kept on file with the Department of Business Affairs and Consumer Protection and the Office of the City Clerk.

Said privilege shall be constructed in accordance with plans and specifications approved by the Department of Planning and Development and Department of Transportation (Division of Project Development).

This grant of privilege in the public way shall be subject to the provisions of Section 10-28-015 and all other required provisions of the Municipal Code of Chicago.

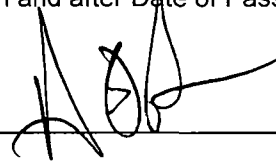
The grantee shall pay to the City of Chicago as compensation for the privilege #1123051 herein granted the sum of zero (\$.00) per annum in advance.

A 25% penalty will be added for payments received after due date.

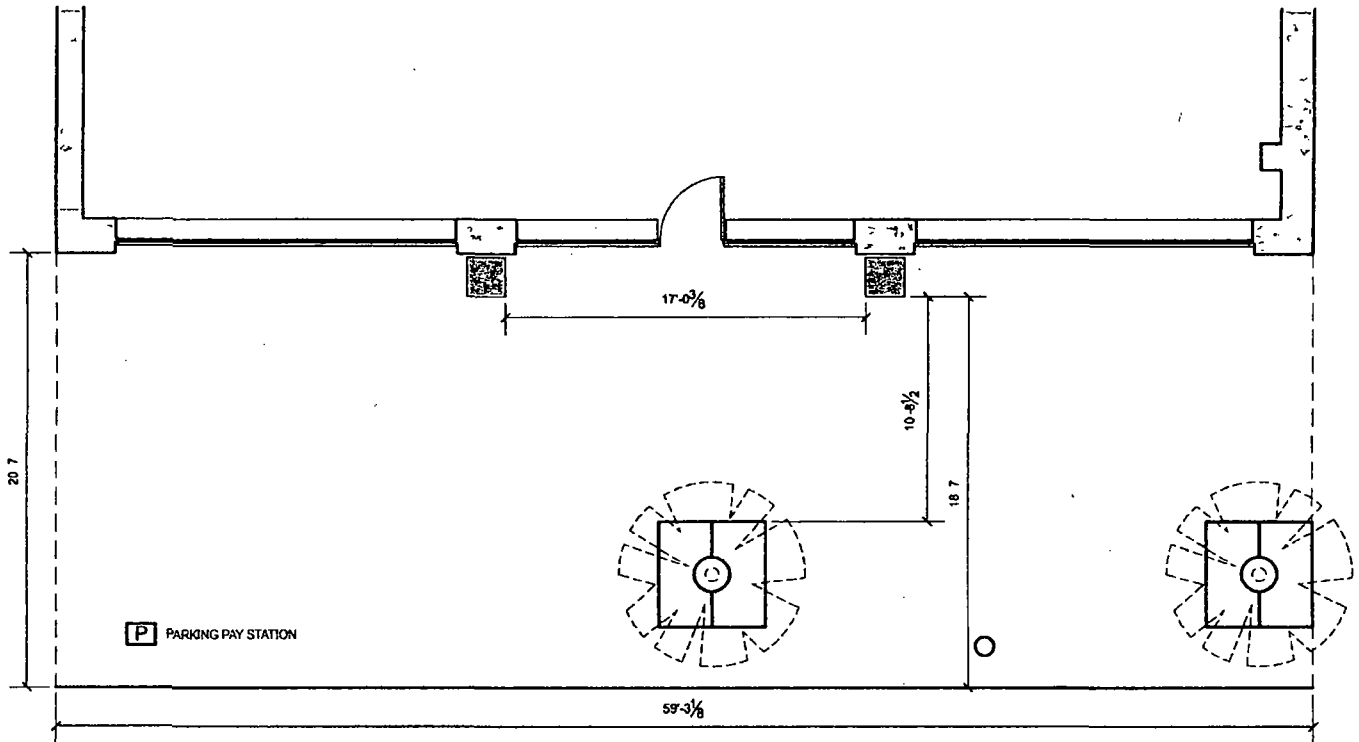
The permit holder agrees to hold the City of Chicago harmless for any damage, relocation or replacement costs associated with damage, relocation or removal of private property caused by the City performing work in the public way.

Authority herein given and granted for a period of five (5) years from and after Date of Passage.

Alderman _____



Harry Osterman 48th Ward



BROADWAY ST

VERN + VERA
5856 N Broadway St Ground Floor
Chicago IL 60660
Owner Eric Silverstnm

OUTDOOR PLANTER PROPOSAL
Planter size 22" x 22" x 34 H estimated
Quantity 2
Illustrated above as dark grey squares