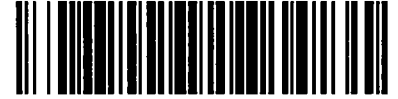




City of Chicago



O2016-3183

Office of the City Clerk

Document Tracking Sheet

Meeting Date:	4/13/2016
Sponsor(s):	Reilly (42)
Type:	Ordinance
Title:	Grant(s) of privilege in public way for Navy Pier
Committee(s) Assignment:	Committee on Transportation and Public Way

ORDINANCE
NAVY PIER
Acct. No. 364100 - 1
Permit No. 1122566

Be It Ordained by the City Council of the City of Chicago:

SECTION 1. Permission and authority are hereby given and granted to NAVY PIER, upon the terms and subject to the conditions of this ordinance to construct, install, maintain and use twenty-five (25) Light Pole(s) on the public right-of-way adjacent to its premises known as 600 E. Grand Ave..

Said Light Pole(s) at Grand Avenue measure(s):

Twenty-five (25) at twenty-seven (27) feet in length, and one (1) foot in width for a total of six hundred seventy-five (675) square feet.

The location of said privilege shall be as shown on prints kept on file with the Department of Business Affairs and Consumer Protection and the Office of the City Clerk.

Said privilege shall be constructed in accordance with plans and specifications approved by the Department of Streets and Sanitation (Bureau of Electricity) and Department of Transportation (Division of Project Development).

This grant of privilege in the public way shall be subject to the provisions of Section 10-28-015 and all other required provisions of the Municipal Code of Chicago.

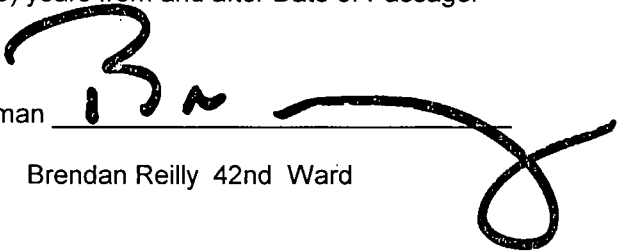
The grantee shall pay to the City of Chicago as compensation for the privilege #1122566 herein granted the sum of one thousand eight hundred seventy-five (\$1,875.00) per annum in advance.

A 25% penalty will be added for payments received after due date.

The permit holder agrees to hold the City of Chicago harmless for any damage, relocation or replacement costs associated with damage, relocation or removal of private property caused by the City performing work in the public way.

Authority herein given and granted for a period of five (5) years from and after Date of Passage.

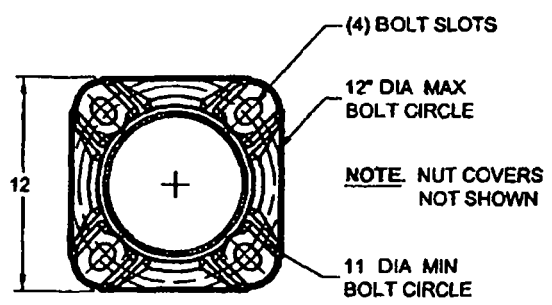
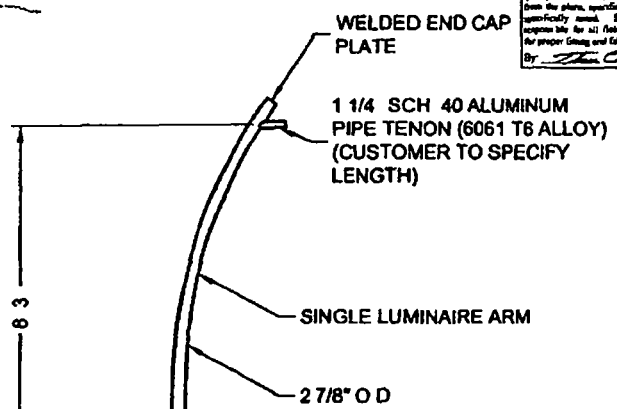
Alderman

A large, stylized handwritten signature in black ink, appearing to read 'B. Reilly', written over a horizontal line.

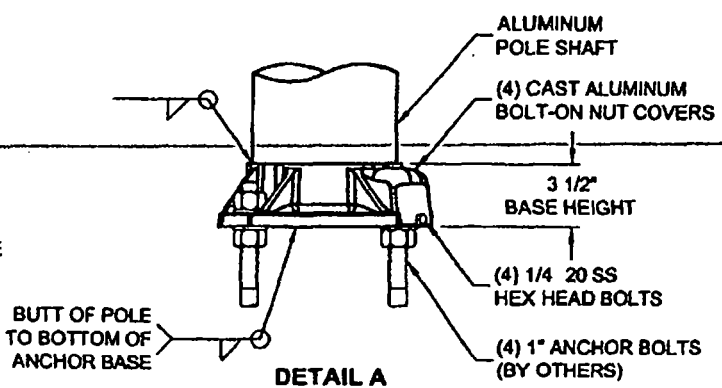
Brendan Reilly 42nd Ward

James McHugh Construction Co.
 The review of this submittal by the General Contractor does not relieve the Subcontractor / Supplier of their responsibility for the quantity, quality and acceptability of the work, or any deviation from the plans, specifications or subcontract unless specifically noted. Subcontractor / Supplier is responsible for all field measurements, as required for proper fitting and fabrication.
 By: *[Signature]*

Submittal 265602-B001
 Date 01/11/2016 / 3 14 11 PM
 Status Reviewed
 Reviewer TCONROY



DETAIL B



DETAIL A

POLE SHAFT FABRICATED FROM 6083-T4 ALUMINUM TUBE (POLE ASSEMBLY IS HEAT TREATED TO T6 CONDITION AFTER WELDING)

Finish shall meet the specification 099100 Site Painting for painted aluminum (Light Grey - Platinum 34MT)

8" O D x 250" WALL
 4" x 6" REINFORCED ALUMINUM HANDHOLE OPENING WITH 5/16"-18 HOLE FOR A GROUND CONNECTOR AND FLUSH FITTING ALUMINUM DOOR WITH A GASKET
 CAST ALUMINUM ANCHOR BASE (SEE "DETAIL A" & "DETAIL B")
 FOOTING REINFORCING ROD AND PVC CONDUIT (BY OTHERS)

POLE RATING (PER AASHTO 2009)
 3-SEC GUST WIND SPEED 90 MPH MAX
 EPA (LUMINAIRE) 20 SQ FT MAX
 WEIGHT (LUMINAIRE) 50 LBS MAX

NOTE: DUE TO THE MANUFACTURING TOLERANCES ASSOCIATED WITH BENDING ALUMINUM TUBE, SMALL VARIATIONS IN DEGREE OF BEND CAN OCCUR BETWEEN POLE SHAFTS

DO NOT SCALE

<p>Valmont Industries, Inc. Structures Division 20805 Eaton Ave Farmington Minnesota 55024-7932 Phone (651) 463-8990 (800) 889-7577 Fax: (651) 463-3349</p>	TITLE S ANCHOR BASE POLE OPTION #1	QTY 10
	MODEL NO MATERIAL ALUMINUM ALLOY FINISH POWDER PAINT DNA NATURAL ALUMINUM PROJECT CHICAGO IL NAVY PIER	OWN BY PTP CHRGD BY
CLASSIFIED <p>LUMINAIRE POLE WITH RESPECT TO ELECTRICAL HAZARDS ONLY NOT FOR MECHANICAL STRENGTH OR WIND LOADING 30 UM - SUITABLE FOR WET LOCATIONS</p>	SOLD TO SHIP TO P O NO REP LTG SOL OF IL	APPR BY JDS DATE 09-02-14
CONFIDENTIAL The information contained in this drawing is privileged and confidential and may be protected from disclosure. Please be aware that any use or dissemination of this drawing may be subject to legal restriction or sanction.	REV DATE 10-05-15 REMOVED ARM ARM SIZE, ADDED PAGE NOTE	DWG NO: QT98318 PAGE 1/2