



City of Chicago



O2019-9678

Office of the City Clerk

Document Tracking Sheet

Meeting Date:	12/18/2019
Sponsor(s):	Sadlowski Garza (10)
Type:	Ordinance
Title:	Grant(s) of privilege in public way for City Sports on Wilson
Committee(s) Assignment:	Committee on Transportation and Public Way

ORDINANCE
CITY SPORTS ON WILSON
Acct. No. 36759 - 5
Permit No. 1143042

Be It Ordained by the City Council of the City of Chicago:

SECTION 1. Permission and authority are hereby given and granted to CITY SPORTS ON WILSON, upon the terms and subject to the conditions of this ordinance to maintain and use, as now constructed, two (2) Security Camera(s) projecting over the public right-of-way for security purposes adjacent to its premises known as 9036 S. Commercial Ave..

Said Security Camera(s) at S. Commercial Avenue measure(s):

Two (2) at point five (.5) feet in length, two point six seven (2.67) feet in width and thirteen point one six (13.16) feet above grade level.

The location of said privilege shall be as shown on prints kept on file with the Department of Business Affairs and Consumer Protection and the Office of the City Clerk.

Said privilege shall be constructed in accordance with plans and specifications approved by the Department of Planning and Development and Department of Transportation (Division of Project Development).

This grant of privilege in the public way shall be subject to the provisions of Section 10-28-015 and all other required provisions of the Municipal Code of Chicago.

The grantee shall pay to the City of Chicago as compensation for the privilege #1143042 herein granted the sum of zero (\$.00) per annum in advance.

A 25% penalty will be added for payments received after due date.

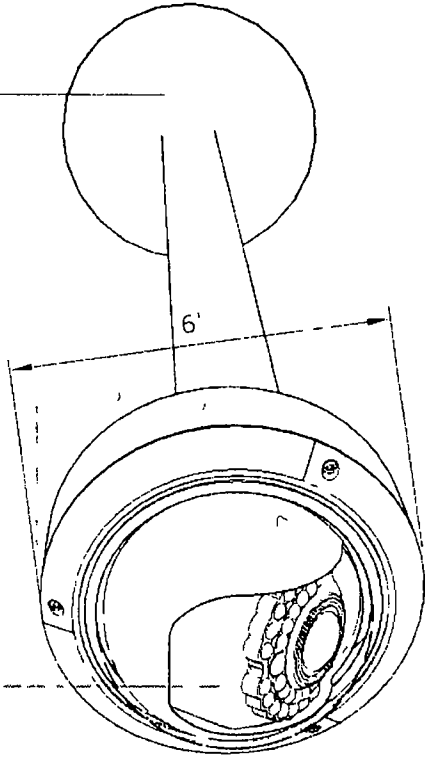
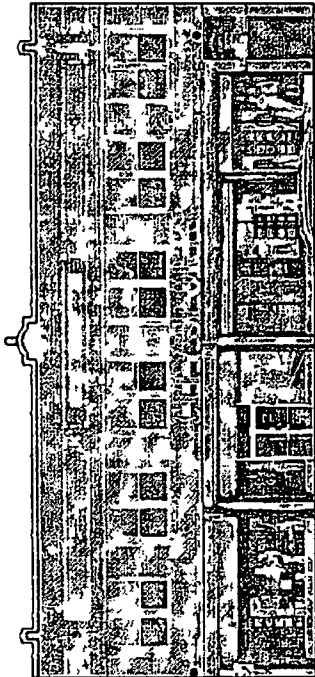
The permit holder agrees to hold the City of Chicago harmless for any damage, relocation or replacement costs associated with damage, relocation or removal of private property caused by the City performing work in the public way.

Authority herein given and granted for a period of five (5) years from and after Date of Passage.

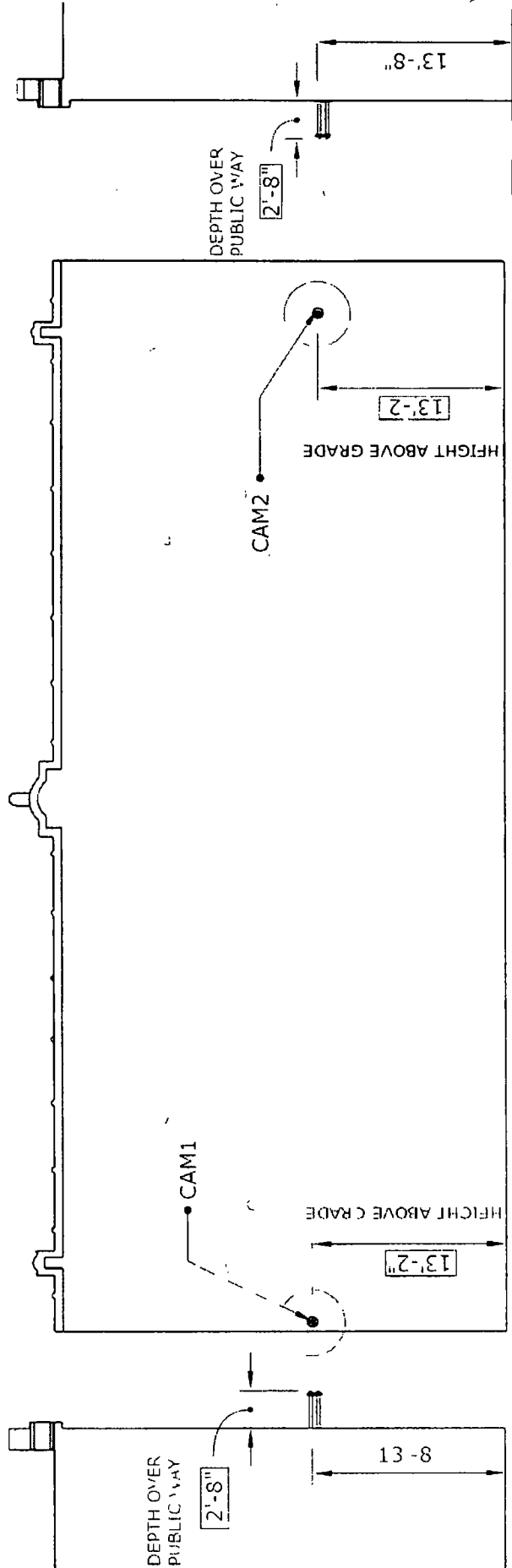
Alderman


Susan Sadlowski Garza 10th Ward

CITY SPORTS ON WILSON
9036 SOUTH COMMERCIAL AVE
CHICAGO IL 60617



CAMERA DETAIL





12/18/2019

Alderman Susan Sadlowski Garza
Ward # 10
City of Chicago
City Hall, Room 200
121 North LaSalle Street
Chicago, Illinois 60602

Re: An ordinance to use and maintain a portion of the public right-of-way for **two (2) security camera(s)** for **CITY SPORTS ON WILSON**, adjacent to the premises known as **9036 S. Commercial Ave.**.

Dear Alderman **Susan Sadlowski Garza**:

The applicant referenced above has requested the use of the public right-of-way for a **security camera(s)**. An ordinance has been prepared by the Department of Business Affairs and Consumer Protection – Small Business Center - Public Way Use Unit for presentation to the City Council. Because this request was made for properties located in your ward, as approved by you as per the attached, I respectfully request that you introduce the attached ordinance at the next City Council meeting.

If you have any questions regarding this ordinance, please contact Anthony Bertuca at (312) 744-5506.

Department of Business Affairs and Consumer Protection