



# City of Chicago



O2014-465

Office of the City Clerk

## Document Tracking Sheet

<b>Meeting Date:</b>	1/15/2014
<b>Sponsor(s):</b>	Smith (43)
<b>Type:</b>	Ordinance
<b>Title:</b>	Grant(s) of privilege in public way for Petco No. 869
<b>Committee(s) Assignment:</b>	Committee on Transportation and Public Way

ORDINANCE  
PETCO #869  
Acct. No. 19916 - 6  
Permit No. 1109414

*Be It Ordained by the City Council of the City of Chicago:*

SECTION 1. Permission and authority are hereby given and granted to PETCO #869, upon the terms and subject to the conditions of this ordinance to maintain and use one (1) sign(s) projecting over the public right-of-way attached to its premises known as 2000 N. Clybourn Ave..

Said sign structure(s) measures as follows; along Clybourn:  
One (1) at sixteen (16) feet in length, three point five (3.5) feet in height and sixteen point six seven (16.67) feet above grade level.

The location of said privilege shall be as shown on prints kept on file with the Department of Business Affairs and Consumer Protection and the Office of the City Clerk.

Said privilege shall be constructed in accordance with plans and specifications approved by the Department of Transportation (Division of Project Development) and Zoning Department - Signs.

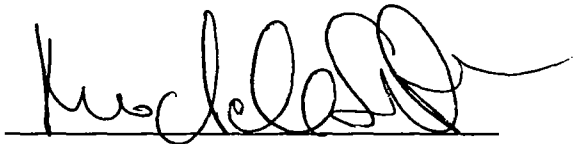
This grant of privilege in the public way shall be subject to the provisions of Section 10-28-015 and all other required provisions of the Municipal Code of Chicago.

The grantee shall pay to the City of Chicago as compensation for the privilege #1109414 herein granted the sum of three hundred (\$300.00) per annum in advance.

A 25% penalty will be added for payments received after due date.

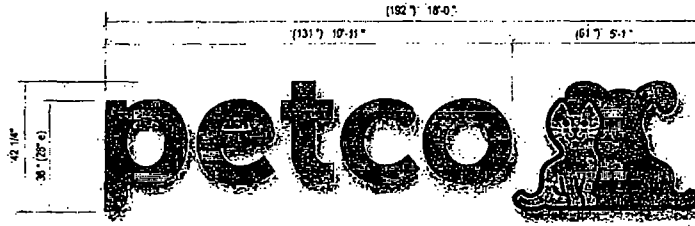
The permit holder agrees to hold the City of Chicago harmless for any damage, relocation or replacement costs associated with damage, relocation or removal of private property caused by the City performing work in the public way.

Authority herein given and granted for a period of five (5) years from and after Date of Passage.

Alderman 

Michele Smith 43<sup>rd</sup> Ward

<b>SIGN C</b>	36" Petco / 42 1/4" Dog Cat Logo
Type	Individual Channel Letters, remote
Illumination	Intentially Illuminated LED
Surface Footage	36.43 - 17.89 = 56.33
To Grade	Top of sign to grade = 19'-8 1/2"
	Bottom of sign to grade = 16'-8 1/2"



**Sign Layout Detail**  
Scale: 3/8" = 1'-0"

**Electrical Detail:**

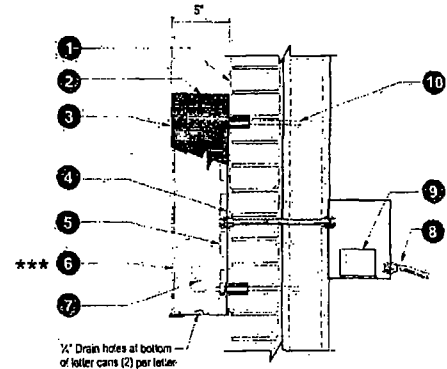
AGILIGHT Sign Rayz LED's  
Write 8500- "dog/cat" Red - "petco" hrs.  
(2) 60w Transformers @ 0.81 each  
Total Amps = 1.22

**General Notes:**

- This sign is to be installed in accordance with the requirements of Article 600 of the National Electrical Code..
- 1) Grounded and bonded per NEC 600.7/NEC 250
  - 2) Existing branch circuit in compliance with NEC 600.5, not to exceed 20 amps
  - 3) Sign is to be UL listed per NEC 600.3
  - 4) UL disconnect switch per NEC 600.6- required per sign component before leaving manufacturer
- \*For multiple signs, a disconnect is permitted but not required for each section

**Specifications: Channel Letters / Logo**

1. Existing Facade: Brick
2. .040 Aluminum letter returns painted to match Wrsaco Red
3. 2" trim cap to match Red
4. 3mm Signabond Lite composite backs (Interior of sign can painted white for maximum illumination)
5. "PETCO" and "Dog"- Red LEDs / "Cat"- White LEDs
6. 3/16" R&H #2793 Red acrylic face for "Petco"  
 ■ "Dog"- 3M #3830-S3 Cardinal Red first surface vinyl  
 ■ "Cat"- 3M #3830-S7 Blue first surface vinyl  
 ■ "Dog/Cat" Outline- 3M #7725-22 Black first surface vinyl  
 ■ "Dog/Cat" - Diffuser film second surface vinyl
7. Waterproof disconnect switch per NEC 600-6
8. Primary electrical feed
9. Transformers
10. Mounting hardware to suit



**Section @ LED Channel Letter**  
Front-Lit (Remote)  
Scale: N.T.S.

	Client: Petco	060717812	Original Rendering	MD	
	Site #: PC-869	07132012	Added existing photos	BJ	
	Address: 2000 North Claybourn	09142012	Changed Grooming sign to 34" letters	NK	
	Chicago, IL 60614	03142013	Revised All Signs to Home Remodel Transmitters	SL	
Chicago-Claybourn (IL)	10202013	Remove circles, show as clay / sign	SW		