



City of Chicago



O2015-7034

Office of the City Clerk

Document Tracking Sheet

Meeting Date:	9/24/2015
Sponsor(s):	Waguespack (32)
Type:	Ordinance
Title:	Grant(s) of privilege in public way for Short Stuff Chicago LLC
Committee(s) Assignment:	Committee on Transportation and Public Way

ORDINANCE
SHORT STUFF CHICAGO, LLC
Acct. No. 367213 - 4
Permit No. 1120186

Be It Ordained by the City Council of the City of Chicago:

SECTION 1. Permission and authority are hereby given and granted to SHORT STUFF CHICAGO, LLC, upon the terms and subject to the conditions of this ordinance to construct, install, maintain and use two (2) Bicycle Rack(s) on the public right-of-way adjacent to its premises known as 1235 W. Belmont Ave..

Said Bicycle Rack(s) at W. Belmont Avenue measure(s):

Two (2) at one point three three (1.33) foot in length, and point one seven (.17) feet in width for a total of point four five (.45) square feet.

The location of said privilege shall be as shown on prints kept on file with the Department of Business Affairs and Consumer Protection and the Office of the City Clerk.

Said privilege shall be constructed in accordance with plans and specifications approved by the Department of Planning and Development and Department of Transportation (Division of Project Development).

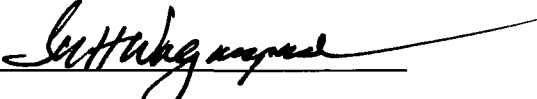
This grant of privilege in the public way shall be subject to the provisions of Section 10-28-015 and all other required provisions of the Municipal Code of Chicago.

The grantee shall pay to the City of Chicago as compensation for the privilege #1120186 herein granted the sum of zero (\$.00) per annum in advance.

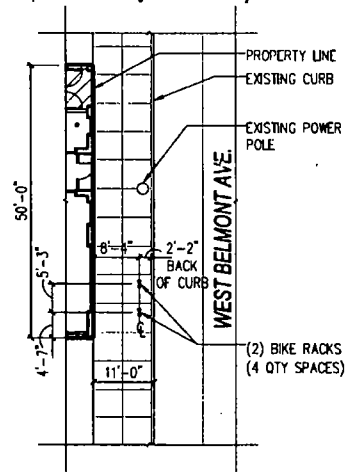
A 25% penalty will be added for payments received after due date.

The permit holder agrees to hold the City of Chicago harmless for any damage, relocation or replacement costs associated with damage, relocation or removal of private property caused by the City performing work in the public way.

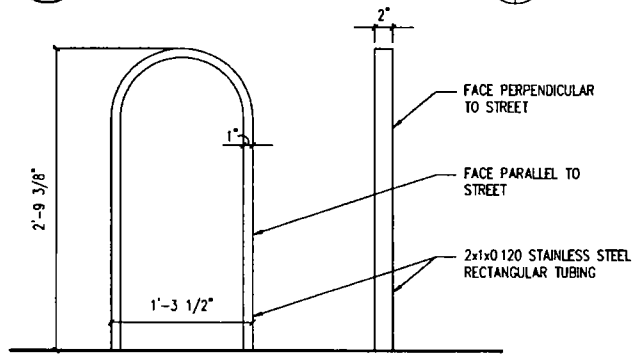
Authority herein given and granted for a period of five (5) years from and after Date of Passage.

Alderman 
Scott Waguespack 32nd Ward

Handwritten text, possibly a signature or name, located in the lower-left quadrant of the page.



1 PARTIAL SITE PLAN
 SK-1 SCALE 1" = 20'



2 FREEMONT BIKE RACK
 ELEVATION DETAIL

SK-1 SCALE 1" = 1'-0"

ARCHITECT	PROJECT/CLIENT NAME	PROJECT DATA	SHEET NO
 P2P ARCHITECTS <small>802 SOUTH MICHIGAN STREET SUITE 40 CHICAGO ILLINOIS 60607 P 312.581.8471 F 312.581.8471 WWW.P2PARCHITECTS.COM</small>	SONGBIRD ACADEMY <small>1235 W. BELMONT AVE CHICAGO, IL 60607</small>	DATE 2015-09-14 PROJ NO 15015 DRAWN BY RRG SCALE	SK-1



09/24/2015

Alderman **Scott Waguespack**
Ward # 32
City of Chicago
City Hall, Room 300
121 North LaSalle Street
Chicago, Illinois 60602

Re: An ordinance to use and maintain a portion of the public right-of-way for **two (2) bicycle rack(s)** for **SHORT STUFF CHICAGO, LLC**, adjacent to the premises known as **1235 W. Belmont Ave.**.

Dear Alderman **Scott Waguespack**:

The applicant referenced above has requested the use of the public right-of-way for a **bicycle rack(s)**. An ordinance has been prepared by the Department of Business Affairs and Consumer Protection – Small Business Center - Public Way Use Unit for presentation to the City Council. Because this request was made for properties located in your ward, as approved by you as per the attached, I respectfully request that you introduce the attached ordinance at the next City Council meeting.

If you have any questions regarding this ordinance, please contact Anthony Bertuca at (312) 744-5506.

Department of Business Affairs and Consumer Protection