



City of Chicago



O2017-500

Office of the City Clerk

Document Tracking Sheet

Meeting Date:	1/25/2017
Sponsor(s):	Burnett (27)
Type:	Ordinance
Title:	Grant(s) of privilege in public way for 854 West Randolph LLC - manhole
Committee(s) Assignment:	Committee on Transportation and Public Way

ORDINANCE
854 WEST RANDOLPH LLC
Acct. No. 407180 - 1
Permit No. 1123926

Be It Ordained by the City Council of the City of Chicago:

SECTION 1. Permission and authority are hereby given and granted to 854 WEST RANDOLPH LLC, upon the terms and subject to the conditions of this ordinance to construct, install, maintain and use one (1) Manhole(s) under the public right-of-way adjacent to its premises known as 846-54 W. Randolph St..

Said Manhole(s) at N Peoria St measure(s):

One (1) at four (4) feet in length, and four (4) feet in width for a total of sixteen (16) square feet.

The location of said privilege shall be as shown on prints kept on file with the Department of Business Affairs and Consumer Protection and the Office of the City Clerk.

Said privilege shall be constructed in accordance with plans and specifications approved by the Department of Transportation (Office of Underground Coordination) and Department of Water Management.

This grant of privilege in the public way shall be subject to the provisions of Section 10-28-015 and all other required provisions of the Municipal Code of Chicago.

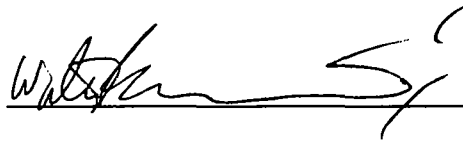
The grantee shall pay to the City of Chicago as compensation for the privilege #1123926 herein granted the sum of four hundred (\$400.00) per annum in advance.

A 25% penalty will be added for payments received after due date.

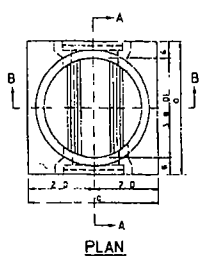
The permit holder agrees to hold the City of Chicago harmless for any damage, relocation or replacement costs associated with damage, relocation or removal of private property caused by the City performing work in the public way.

Authority herein given and granted for a period of five (5) years from and after Date of Passage.

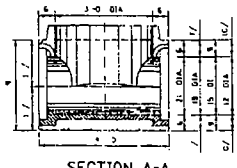
Alderman



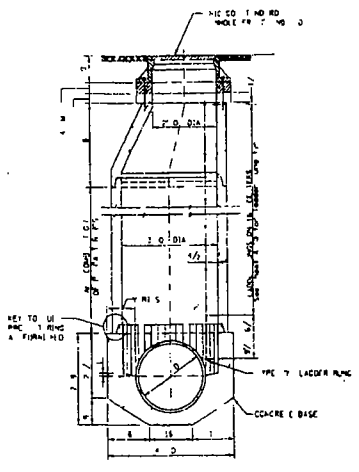
Walter Burnett Jr. 27th Ward



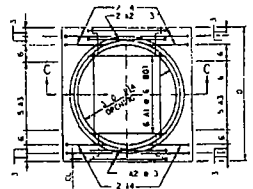
PLAN



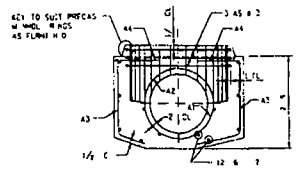
SECTION A-A



SECTION B-B



PLAN
PRECAST BASE



SECTION C-C

NOTE
6 MINIMUM GRANULAR FILL UNDER ALL PRECAST MANHOLE BASES.

REINFORCEMENT BAR	BENDING DIMENSION											
	1	2	3	4	5	6	7	8	9	10	11	12
1	12	12	12	12	12	12	12	12	12	12	12	12
2	12	12	12	12	12	12	12	12	12	12	12	12
3	12	12	12	12	12	12	12	12	12	12	12	12
4	12	12	12	12	12	12	12	12	12	12	12	12
5	12	12	12	12	12	12	12	12	12	12	12	12
6	12	12	12	12	12	12	12	12	12	12	12	12
7	12	12	12	12	12	12	12	12	12	12	12	12
8	12	12	12	12	12	12	12	12	12	12	12	12
9	12	12	12	12	12	12	12	12	12	12	12	12
10	12	12	12	12	12	12	12	12	12	12	12	12
11	12	12	12	12	12	12	12	12	12	12	12	12
12	12	12	12	12	12	12	12	12	12	12	12	12

SYND. NO. 1510 3	PERCENT COMPLETE	CITY OF CHICAGO	A 8
DATE	DESCRIPTION	DEPARTMENT OF WATER MANAGEMENT	
1/27/73	REVISION	BUREAU OF ENGINEERING (1510 3)	
		TYPE 4 PRECAST MANHOLE FOR SIZES 21 DIA AND SMALLER	
			OF
			PN