



# City of Chicago



O2016-5765

## Office of the City Clerk Document Tracking Sheet

<b>Meeting Date:</b>	7/20/2016
<b>Sponsor(s):</b>	O'Connor (40)
<b>Type:</b>	Ordinance
<b>Title:</b>	Awning(s) for George's Fade Salon
<b>Committee(s) Assignment:</b>	Committee on Transportation and Public Way

ORDINANCE  
GEORGE'S FADE SALON  
Acct. No. 369236 - 2  
Permit No. 1123003

*Be It Ordained by the City Council of the City of Chicago:*

SECTION 1. Permission and authority are hereby given and granted to GEORGE'S FADE SALON, upon the terms and subject to the conditions of this ordinance to construct, install, maintain and use two (2) Awning(s) projecting over the public right-of-way adjacent to its premises known as 2635-37 W. Peterson Ave..

Said Awning(s) at W Peterson Ave measure(s):

Two (2) at ten (10) feet in length, and two (2) feet in width for a total of forty (40) square feet.

The location of said privilege shall be as shown on prints kept on file with the Department of Business Affairs and Consumer Protection and the Office of the City Clerk.

Said privilege shall be constructed in accordance with plans and specifications approved by the Zoning Department - Signs.

This grant of privilege in the public way shall be subject to the provisions of Section 10-28-015 and all other required provisions of the Municipal Code of Chicago.

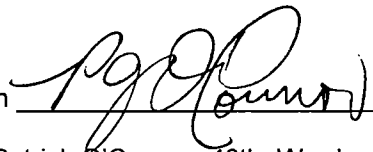
The grantee shall pay to the City of Chicago as compensation for the privilege #1123003 herein granted the sum of one hundred (\$100.00) per annum in advance.

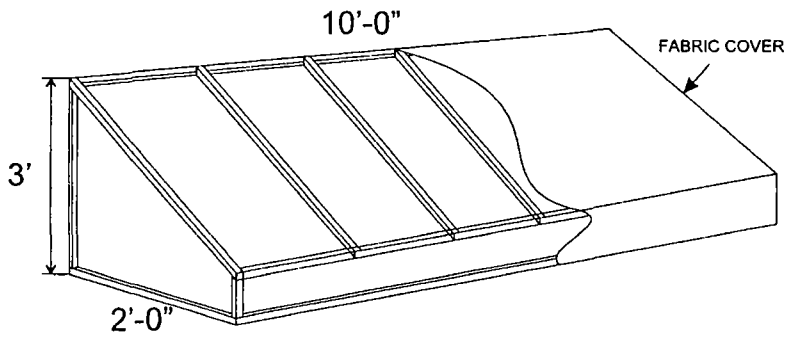
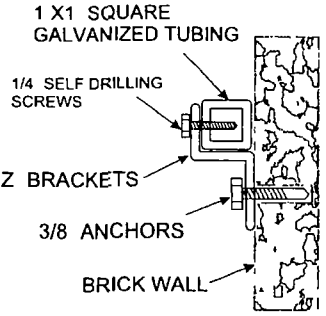
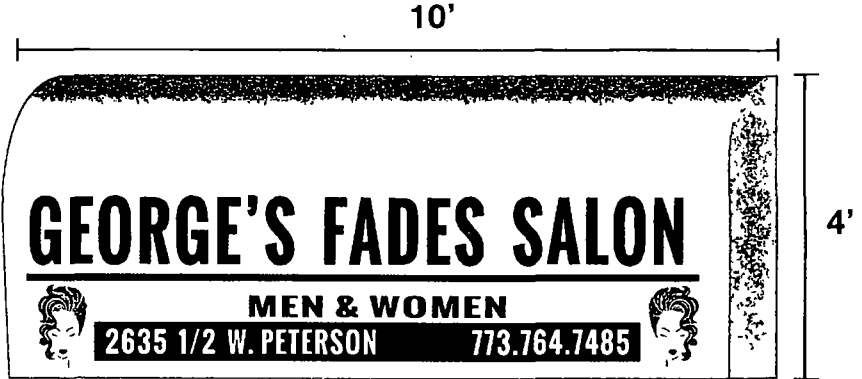
A 25% penalty will be added for payments received after due date.

The permit holder agrees to hold the City of Chicago harmless for any damage, relocation or replacement costs associated with damage, relocation or removal of private property caused by the City performing work in the public way.

Authority herein given and granted for a period of five (5) years from and after Date of Passage.

Alderman

  
Patrick O'Connor 40th Ward



Store Name	Client Name	Client Approval (signature)	Date	Sales Rep SEAN PARK Designer SEAN PARK
Location	Phone Landlord Address			





07/20/2016

Alderman **Patrick O'Connor**  
Ward # 40  
City of Chicago  
City Hall, Room 300  
121 North LaSalle Street  
Chicago, Illinois 60602

Re: An ordinance to use and maintain a portion of the public right-of-way for **two (2) awning(s)** for **GEORGE'S FADE SALON**, adjacent to the premises known as **2635-37 W. Peterson Ave.**.

Dear Alderman **Patrick O'Connor**:

The applicant referenced above has requested the use of the public right-of-way for a **awning(s)**. An ordinance has been prepared by the Department of Business Affairs and Consumer Protection – Small Business Center - Public Way Use Unit for presentation to the City Council. Because this request was made for properties located in your ward, as approved by you as per the attached, I respectfully request that you introduce the attached ordinance at the next City Council meeting.

If you have any questions regarding this ordinance, please contact Anthony Bertuca at (312) 744-5506.

**Department of Business Affairs and Consumer Protection**