



City of Chicago



O2017-8909

Office of the City Clerk
Document Tracking Sheet

Meeting Date:	12/13/2017
Sponsor(s):	Reilly (42)
Type:	Ordinance
Title:	Grant(s) of privilege in public way for Cars.com
Committee(s) Assignment:	Committee on Transportation and Public Way

ORDINANCE
Cars.com
Acct. No. 405663 - 2
Permit No. 1130266

Be It Ordained by the City Council of the City of Chicago:

SECTION 1. Permission and authority are hereby given and granted to Cars.com, upon the terms and subject to the conditions of this ordinance to maintain and use one (1) sign(s) projecting over the public right-of-way attached to its premises known as 300 S. Riverside Plz..

Said sign structure(s) measures as follows; along W. Jackson Blvd:
One (1) at twenty-six (26) feet in length, nine point five (9.5) feet in height and three hundred ten (310) feet above grade level.

The location of said privilege shall be as shown on prints kept on file with the Department of Business Affairs and Consumer Protection and the Office of the City Clerk.

Said privilege shall be constructed in accordance with plans and specifications approved by the Department of Transportation (Division of Project Development) and Zoning Department - Signs.

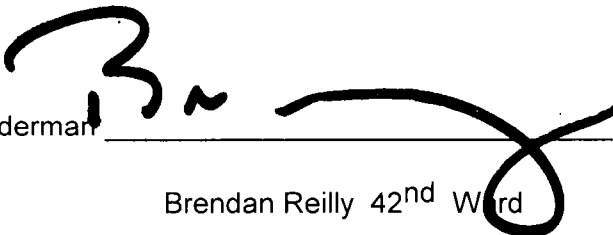
This grant of privilege in the public way shall be subject to the provisions of Section 10-28-015 and all other required provisions of the Municipal Code of Chicago.

The grantee shall pay to the City of Chicago as compensation for the privilege #1130266 herein granted the sum of three hundred (\$300.00) per annum in advance.

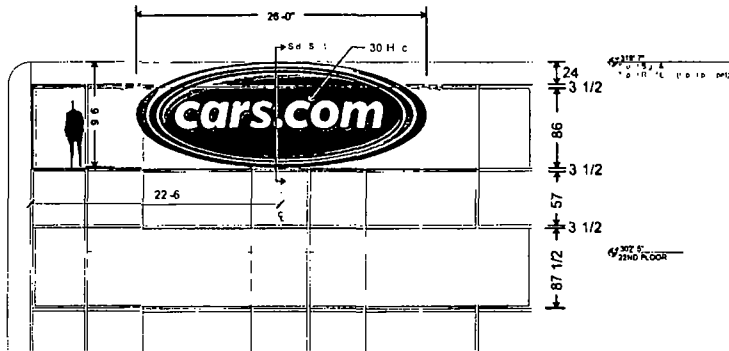
A 25% penalty will be added for payments received after due date.

The permit holder agrees to hold the City of Chicago harmless for any damage, relocation or replacement costs associated with damage, relocation or removal of private property caused by the City performing work in the public way.

Authority herein given and granted for a period of five (5) years from and after Date of Passage.

Alderman 
Brendan Reilly 42nd Ward

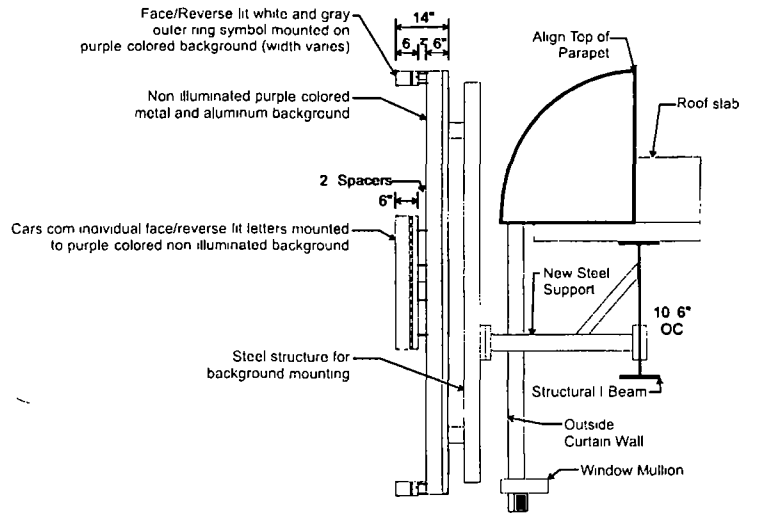
8



Overall Size 26 x 9 6
30 H Cap Height

Sign to be controlled with dimmer at remote location inside building
Sign timer to be installed at electrical box to turn off illumination midnight

Side Section
1/2 = 1



Illuminated Building ID Sign
Individual Face/Reverse Lit Letters / Face/Reverse Lit Ring Symbol

1/8 = 1

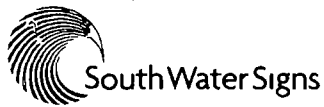
6 Deep purple colored metal and aluminum oval background without internal illumination housing all structure and electrical wiring connections

6 Deep white and gray face/reverse lit ring symbol mounted on metal and aluminum oval background outside edges

6 Deep white face/reverse lit individual letters and punctuation spelling out cars.com mounted on metal and aluminum oval background

Individual letters mounted 2" from oval background

Oval background mounted to steel lattice with angle clips for mounting - wiring through steel lattice structure to remote power supplies located inside building in drop ceiling



Client Cars.com	Project Name & Location Rooftop ID Sign 300 S Riverside, Chicago IL	Date 09.08.17	Revisions
Customer Approval	Job Number 7020171	Drawn By m	

THIS DRAWING IS PROPERTY OF SOUTH WATER SIGNS. ALL RIGHTS OF REPRODUCTION ARE RESERVED BY SOUTH WATER SIGNS.