



City of Chicago



Or2022-179

Office of the City Clerk

Document Tracking Sheet

Meeting Date:	7/20/2022
Sponsor(s):	La Spata (1)
Type:	Order
Title:	Issuance of permits for sign(s)/signboard(s) at 2604 N Elston Ave
Committee(s) Assignment:	Committee on Zoning, Landmarks and Building Standards

**CITY COUNCIL
COMMITTEE ON ZONING, LANDMARKS AND BUILDING STANDARDS**

COUNCIL ORDER

RE: Approval of sign over 100 square feet in area or over 24 feet above grade

ORDERED, that the City Council hereby approves the following sign application submitted by:

Applicant*: Pep Boys

(* The Applicant is the owner of the real property or the business tenant of the real property. Do not list the sign contractor, sign erector, sign company or advertising entity in the above space.)

This Order approves the following sign in accordance with Municipal Code of Chicago Section 13-20-680:

Address of Sign: 2604 N Elston Chicago, IL 60647

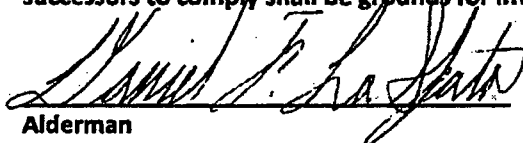
Zoning District: M2-3

DOB Sign Permit Application #: 100977410

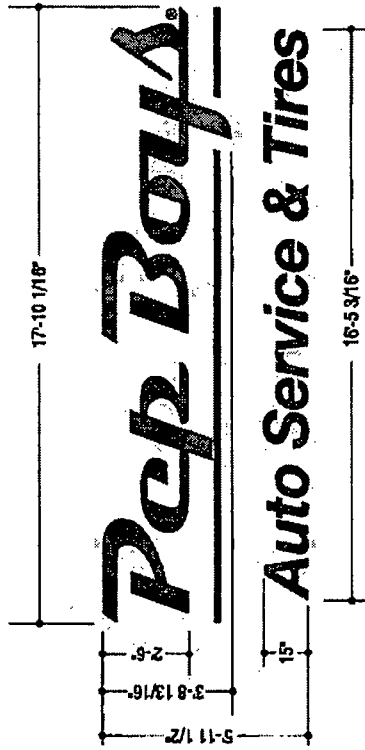
Sign Details:

1. On-premise OR Off-premise
2. Static sign OR Dynamic-image display sign
3. Number of sign faces 1
4. Projecting over the public way No (Yes or No). If yes, Public Way Use #: _____
5. Dimensions: Length 17 feet 10 inches Height 6 feet 0 inches
Total square feet in area: 107 feet 0 inches
6. Height above grade: 12 feet 0 inches
7. Elevation (side of building or lot where the sign will be erected): South
8. Name of Sign Contractor/Erector: La Grange Sign & Lighting

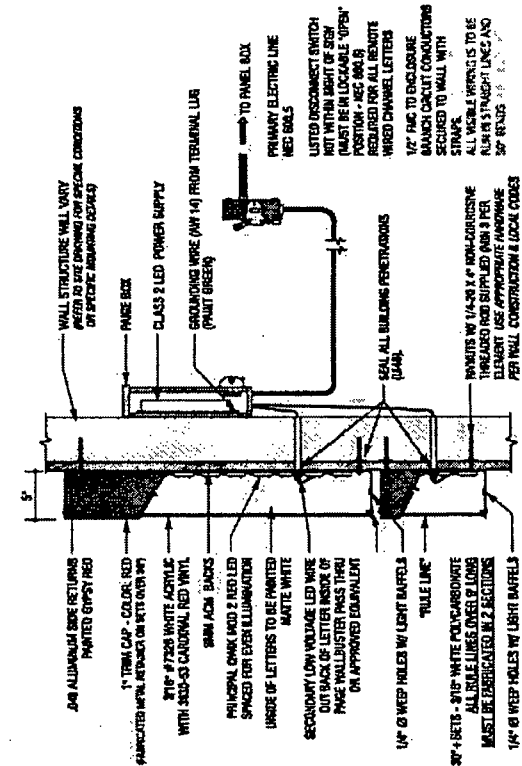
To be legal, such sign shall comply with all provisions of Title 17 of the Chicago Municipal Code ("Zoning Ordinance") and all other provisions of the Municipal Code governing the permitting, construction and maintenance and removal of signs and sign structures. Failure of the applicant and the applicant's successors to comply shall be grounds for invalidation or revocation of the sign permit.


Alderman

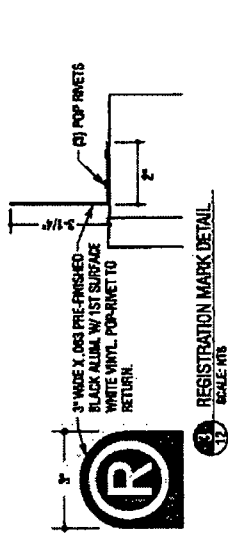
1
Ward



5 30" RED CHANNEL LETTERS - PB-PB30R-RM & 15" RED SECONDARY CHANNEL LETTERS - PB-AST15R-AM (1 hanging)

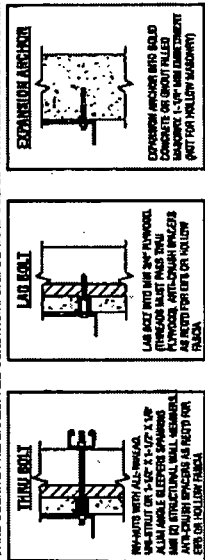


SECTION 6 CHANNEL LETTERS SCALE: 1/8"



TYPICAL APPROVED MOUNTING OPTIONS PER WALL CONDITION

SEAL LOCATION AND DET. NOTED ON DWG. SEAL ALL BUILDING PENETRATIONS THRU SOLTING PREFERRED. ALL CONDITIONS CAN BE THRU-BOLTED WITH SLEEPER ON INTERIOR



*ALL HARDWARE MUST BE NON-CORRODIVE