



# City of Chicago



O2017-1255

Office of the City Clerk

## Document Tracking Sheet

<b>Meeting Date:</b>	2/22/2017
<b>Sponsor(s):</b>	Reilly (42)
<b>Type:</b>	Ordinance
<b>Title:</b>	Grant(s) of privilege in public way for THR Ontario LLC
<b>Committee(s) Assignment:</b>	Committee on Transportation and Public Way

ORDINANCE  
THR ONTARIO LLC  
Acct. No. 410080 - 1  
Permit No. 1125385

*Be It Ordained by the City Council of the City of Chicago:*

SECTION 1. Permission and authority are hereby given and granted to THR ONTARIO LLC, upon the terms and subject to the conditions of this ordinance to construct, install, maintain and use one (1) Planter(s) on the public right-of-way for beautification purposes adjacent to its premises known as 243 E. Ontario St..

Said Planter(s) at E. Ontario Street measure(s):

One (1) at nine point eight three (9.83) feet in length, and four point nine two (4.92) feet in width for a total of forty-eight point three six (48.36) square feet.

Grantee must allow the required clear and unobstructed space for pedestrian passage at all times per rules and regulations approved by the Department of Transportation.

The location of said privilege shall be as shown on prints kept on file with the Department of Business Affairs and Consumer Protection and the Office of the City Clerk.

Said privilege shall be constructed in accordance with plans and specifications approved by the Department of Planning and Development and Department of Transportation (Division of Project Development).

This grant of privilege in the public way shall be subject to the provisions of Section 10-28-015 and all other required provisions of the Municipal Code of Chicago.

The grantee shall pay to the City of Chicago as compensation for the privilege #1125385 herein granted the sum of zero (\$.00) per annum in advance.

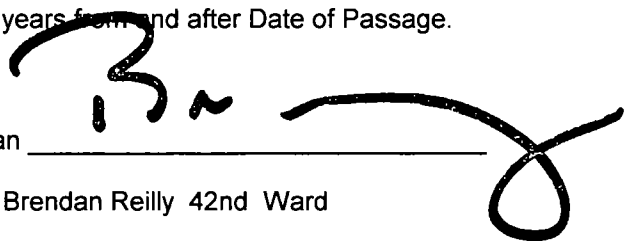
A 25% penalty will be added for payments received after due date.

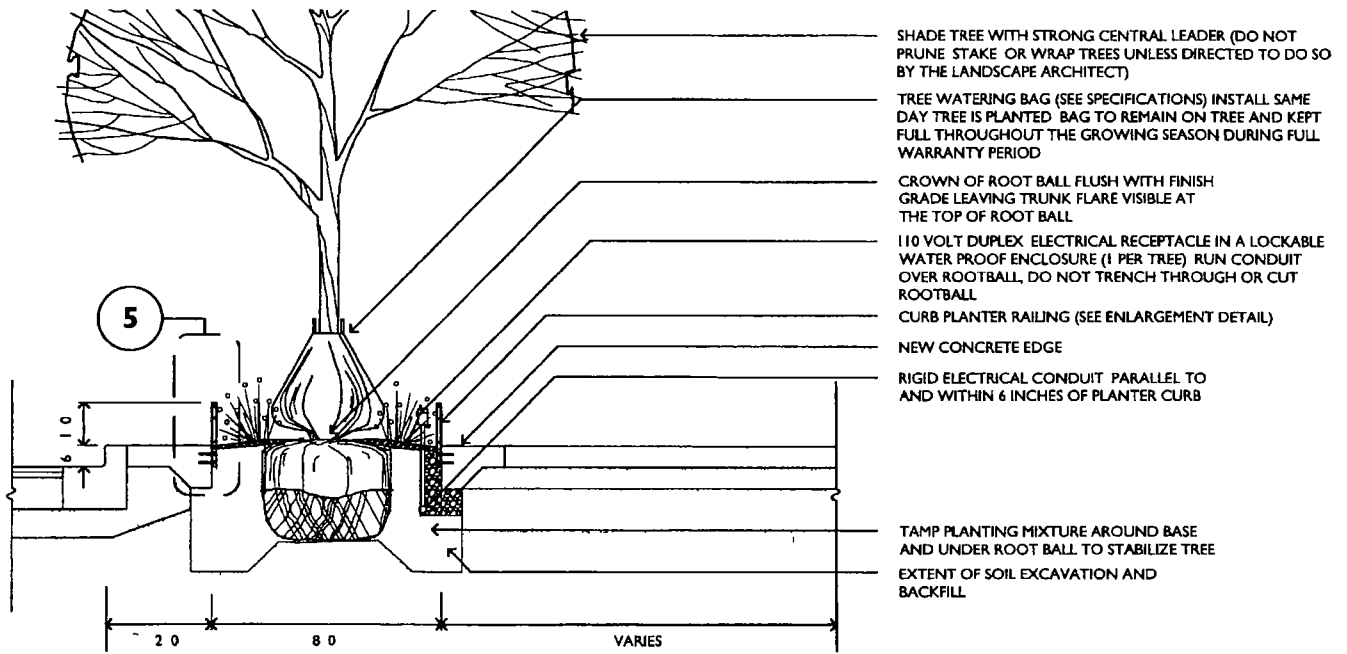
The permit holder agrees to hold the City of Chicago harmless for any damage, relocation or replacement costs associated with damage, relocation or removal of private property caused by the City performing work in the public way.

Authority herein given and granted for a period of five (5) years from and after Date of Passage.

Alderman \_\_\_\_\_

Brendan Reilly 42nd Ward

A handwritten signature in black ink, appearing to read 'B. Reilly', is written over a horizontal line. The signature is stylized and extends to the right of the line.



243 E Ontario - At Grade Planter