



# City of Chicago



O2013-8639

Office of the City Clerk

## Document Tracking Sheet

<b>Meeting Date:</b>	11/13/2013
<b>Sponsor(s):</b>	Burns (4)
<b>Type:</b>	Ordinance
<b>Title:</b>	Grant(s) of privilege in public way for Starbucks Coffee
<b>Committee(s) Assignment:</b>	Committee on Transportation and Public Way

ORDINANCE  
STARBUCKS COFFEE  
Acct. No. 63414 - 98  
Permit No. 1109281

*Be It Ordained by the City Council of the City of Chicago:*

SECTION 1. Permission and authority are hereby given and granted to STARBUCKS COFFEE, upon the terms and subject to the conditions of this ordinance to maintain and use, as now constructed, one (1) Handicap Accessible Ramp on the public right-of-way adjacent to its premises known as 1174 E. 55th St..

Said Handicap Accessible Ramp at E. 55th St measure(s):  
One (1) at thirty-five (35) feet in length, and five point four two (5.42) feet in width for a total of one hundred eighty-nine point seven (189.7) square feet.

The location of said privilege shall be as shown on prints kept on file with the Department of Business Affairs and Consumer Protection and the Office of the City Clerk.

Said privilege shall be constructed in accordance with plans and specifications approved by the Department of Transportation (Division of Project Development) and Mayor's Office for People with Disabilities.

This grant of privilege in the public way shall be subject to the provisions of Section 10-28-015 and all other required provisions of the Municipal Code of Chicago.

The grantee shall pay to the City of Chicago as compensation for the privilege #1109281 herein granted the sum of four hundred (\$400.00) per annum in advance.

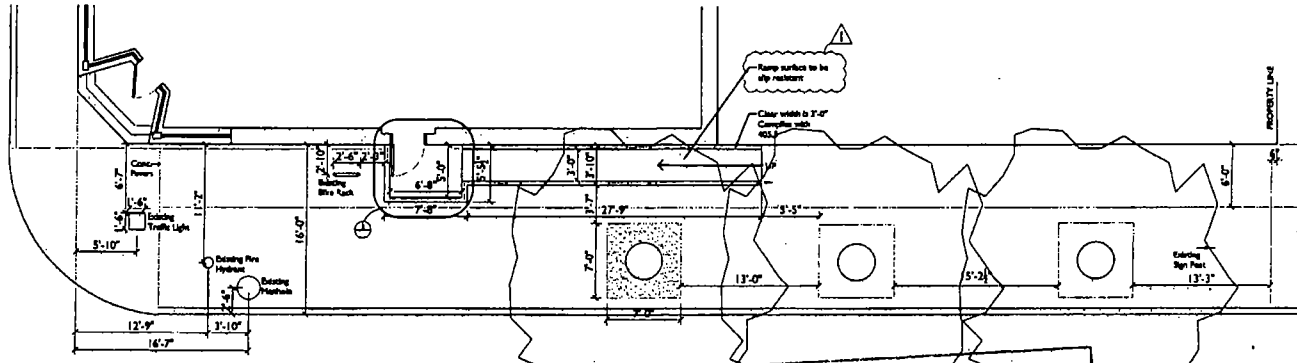
A 25% penalty will be added for payments received after due date.

The permit holder agrees to hold the City of Chicago harmless for any damage, relocation or replacement costs associated with damage, relocation or removal of private property caused by the City performing work in the public way.

Authority herein given and granted for a period of five (5) years from and after 10/01/2013.

Alderman 

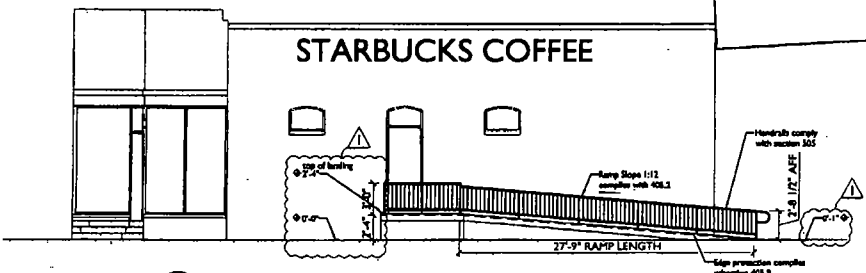
William D. Burns 4th Ward



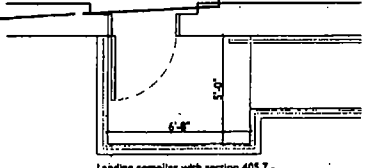
1 Site Plan  
Scale: 1/8"=1'-0"

CITY OF CHICAGO  
Department of Transportation  
Public Way Civil Design Review

APPROVED: *[Signature]*  
Date on Plans: *7/2/12*  
Project Title: *Starbucks Coffee*



2 East Elevation  
Scale: 1/8"=1'-0"



3 Enlarged Plan @ Door  
Scale: 1/4"=1'-0"

Starbucks Coffee  
 1174 E 55th Street  
 Chicago, Illinois  
 27 May 2012  
 1:1  
 Muren Design Group  
 220 W. Park Street  
 Chicago, IL 60604  
 312.464.2288  
 Site Plan & Front Elevation



**11/13/2013**

**Alderman William D. Burns**  
Ward # 04  
City of Chicago  
City Hall, Room 300  
121 North LaSalle Street  
Chicago, Illinois 60602

Re: An ordinance to use and maintain a portion of the public right-of-way for **one (1) ramp(s)** for **STARBUCKS COFFEE**, adjacent to the premises known as **1174 E. 55th St.**

Dear Alderman **William D. Burns**:

The applicant referenced above has requested the use of the public right-of-way for a **ramp(s)**. An ordinance has been prepared by the Department of Business Affairs and Consumer Protection – Business Assistance Center - Public Way Use Unit for presentation to the City Council. Because this request was made for properties located in your ward, as approved by you as per the attached, I respectfully request that you introduce the attached ordinance at the next City Council meeting.

If you have any questions regarding this ordinance, please contact Anthony Bertuca at (312) 744-5506.

**Department of Business Affairs and Consumer Protection**