



City of Chicago



O2016-3194

Office of the City Clerk

Document Tracking Sheet

Meeting Date:	4/13/2016
Sponsor(s):	Mell (33)
Type:	Ordinance
Title:	Grant(s) of privilege in public way for Irving Park Super Laundry
Committee(s) Assignment:	Committee on Transportation and Public Way

ORDINANCE
Irving Park Super Laundry
Acct. No. 371163 - 1
Permit No. 1112927

Be It Ordained by the City Council of the City of Chicago:

SECTION 1. Permission and authority are hereby given and granted to Irving Park Super Laundry, upon the terms and subject to the conditions of this ordinance to maintain and use two (2) sign(s) projecting over the public right-of-way attached to its premises known as 2949-2957 W. Irving Park Rd..

Said sign structure(s) measures as follows; along W Irving Park Rd:

One (1) at twelve point five (12.5) feet in length, seven point zero nine (7.09) feet in height and sixteen point six seven (16.67) feet above grade level.

One (1) at nine point one seven (9.17) feet in length, two point nine two (2.92) feet in height and twelve point five (12.5) feet above grade level.

The location of said privilege shall be as shown on prints kept on file with the Department of Business Affairs and Consumer Protection and the Office of the City Clerk.

Said privilege shall be constructed in accordance with plans and specifications approved by the Department of Transportation (Division of Project Development) and Zoning Department - Signs.


This grant of privilege in the public way shall be subject to the provisions of Section 10-28-015 and all other required provisions of the Municipal Code of Chicago.

The grantee shall pay to the City of Chicago as compensation for the privilege #1112927 herein granted the sum of six hundred (\$600.00) per annum in advance.

A 25% penalty will be added for payments received after due date.

The permit holder agrees to hold the City of Chicago harmless for any damage, relocation or replacement costs associated with damage, relocation or removal of private property caused by the City performing work in the public way.

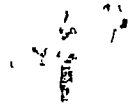
Authority herein given and granted for a period of five (5) years from and after Date of Passage.

Alderman  _____

Deborah Mell 33rd Ward

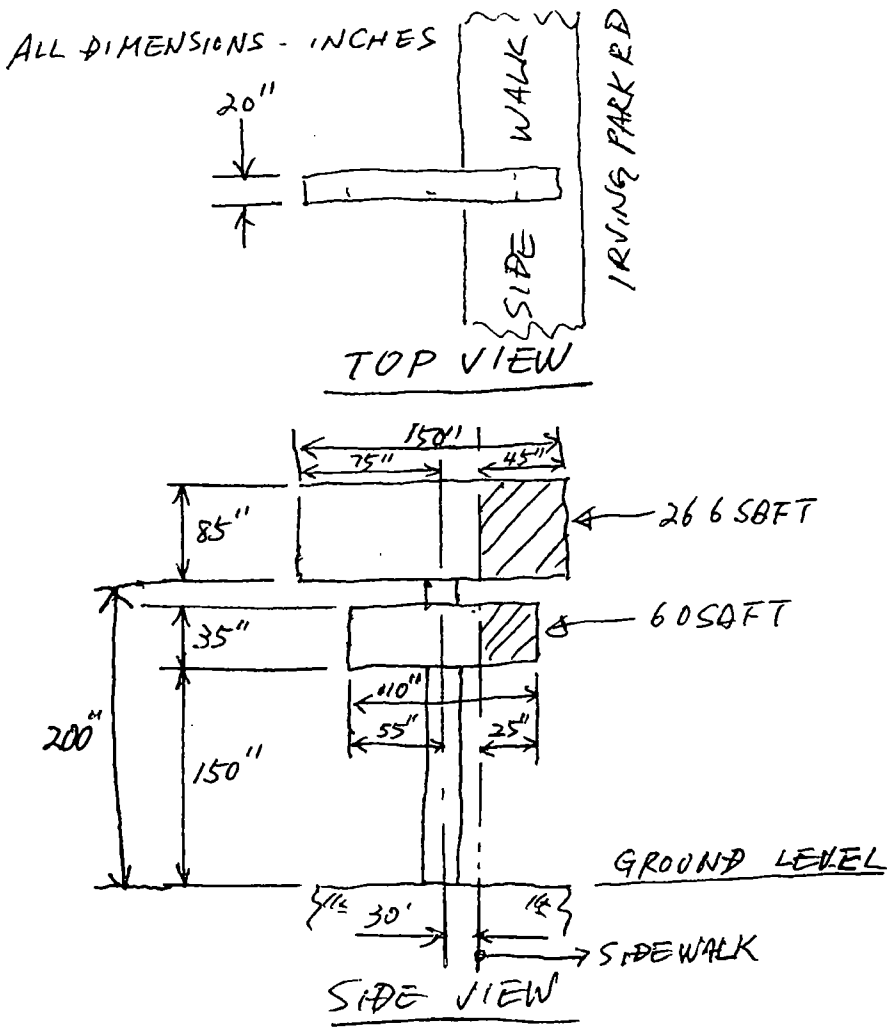


APPLICATION TO USE THE PUBLIC RIGHT OF WAY



PYLON (ELECTRICAL SIGN)

ALL DIMENSIONS - INCHES



PROPERTY LOCATION: 2949 W IRVING PARK RD
 ORGANIZATION NAME: IRVING PARK SUPER LAUNDRY LLC







04/13/2016

Alderman Deborah Mell
Ward # 33
City of Chicago
City Hall, Room 200
121 North LaSalle Street
Chicago, Illinois 60602

Re: An ordinance to use and maintain a portion of the public right-of-way for **two (2) sign(s)** for **Irving Park Super Laundry**, adjacent to the premises known as **2949-2957 W. Irving Park Rd.**

Dear Alderman **Deborah Mell**:

The applicant referenced above has requested the use of the public right-of-way for a **sign(s)**. An ordinance has been prepared by the Department of Business Affairs and Consumer Protection – Small Business Center - Public Way Use Unit for presentation to the City Council. Because this request was made for properties located in your ward, as approved by you as per the attached, I respectfully request that you introduce the attached ordinance at the next City Council meeting.

If you have any questions regarding this ordinance, please contact Anthony Bertuca at (312) 744-5506.

Department of Business Affairs and Consumer Protection